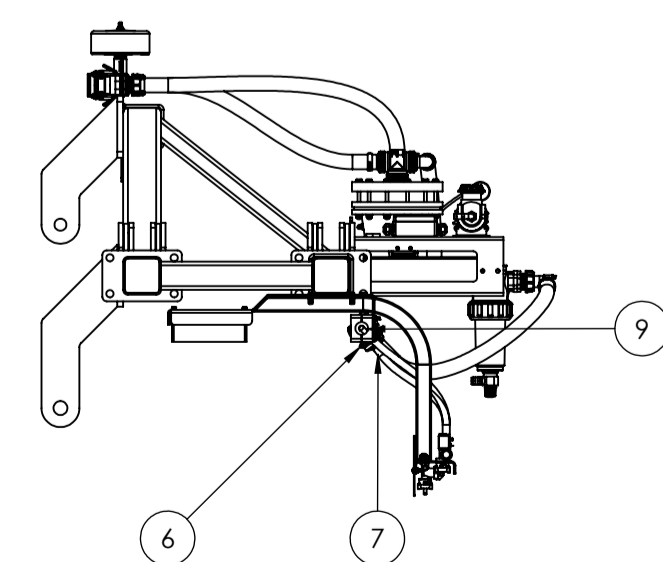
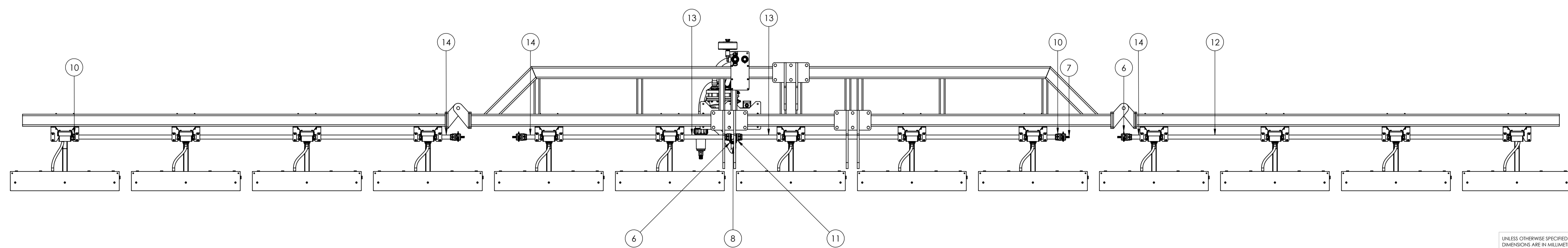
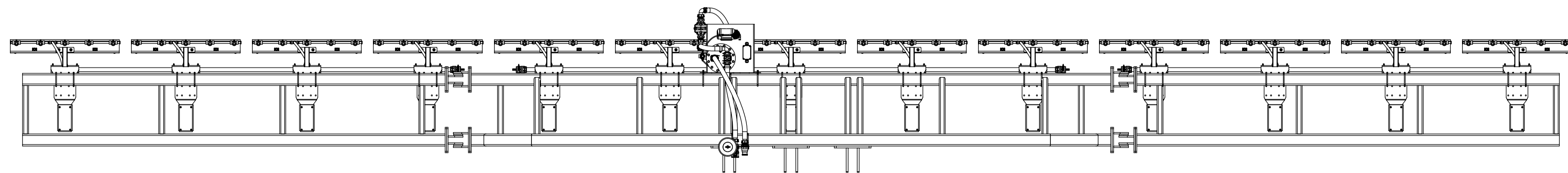




ITEM NO.	PART NUMBER	DESCRIPTION	QTY.
1	Mid Section assembly		1
2	Wing Assembly inc folds		2
3	CAMLOCK PLATE ASSEMBLY		1
4	RAMSAY VALVE PANEL ASSY		1
5	1M NOZZLE RAIL KIT		13
6	A010005	INLET FORK	18
7	A1090513	HOSETAIL T5F D.13	15
8	A1090532	HOSETAIL T5F D.32	1
9	A1190513	ELBOW T5F D.13	2
10	A190415	BOOM END QUICK FIT T5 1"	8
11	A193415	EASY FIT TEE 1"	12
12	1M STAINLESS FEED TUBE	TUBE STAINLESS 915 X 33.7 OD	9
13	1-2M STAINLESS FEED TUBE	TUBE STAINLESS 415 X 33.7 OD	2
14	BREAKAWAY FEED TUBE	TUBE STAINLESS 150 X 33.7 OD	4
15	XBMBB100-125	U BOLT 130 X 150 X 8 304SS	31
16	Tube 9-12M TOOLBAR		1
17	Tube 12-12M TOOLBAR		1
18	Tube 14-12M TOOLBAR		11
19	Tube 15-12M TOOLBAR		1
20	Tube 17-12M TOOLBAR		1
21	Tube 18-12M TOOLBAR		1



UNLESS OTHERWISE SPECIFIED: DIMENSIONS ARE IN MILLIMETERS SURFACE FINISH: ± 0.2 TOLERANCES: LINEAR: ± 0.5 ANGULAR: ± 0.5		FINISH	DESIR AND BREAK SHARP EDGES	DO NOT SCALE DRAWING	ISSUE
DRAWN: RP/JUCO	SIGNATURE:	DATE:	REVISION:	TITLE: <b>CROPLANDS</b> A NUFARM LIMITED COMPANY PROJECT	
CHK'D:				DESCRIPTION	
APP'VD:				DWG NO. <b>12M TOOLBAR</b>	
MFG:				SCALE: 1:1	
Q.A.				SHEET 1 OF 1	
MATERIAL:			WEIGHT:		