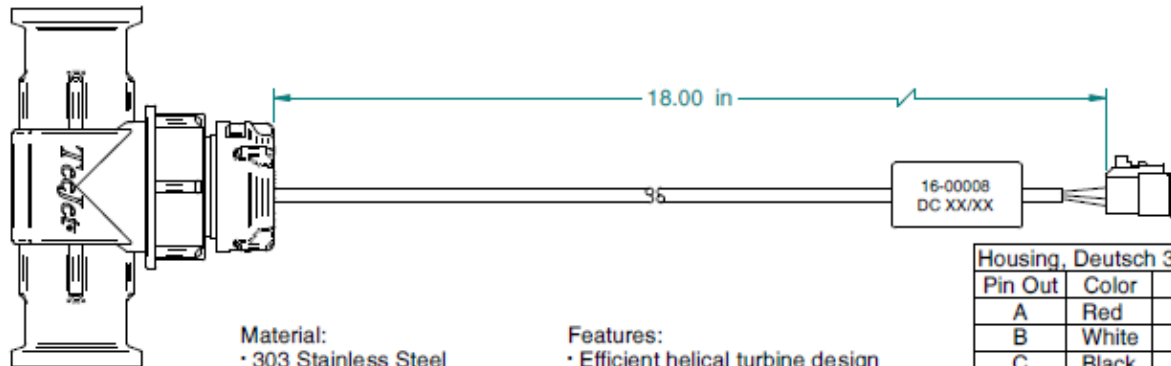
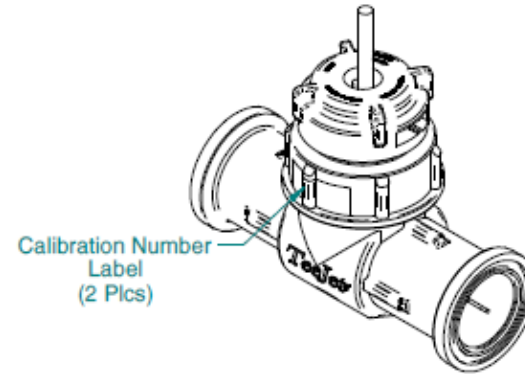
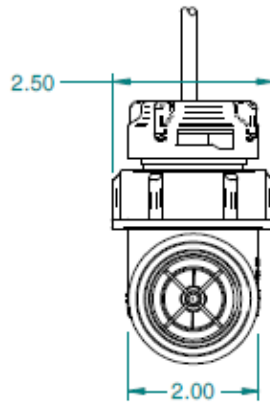
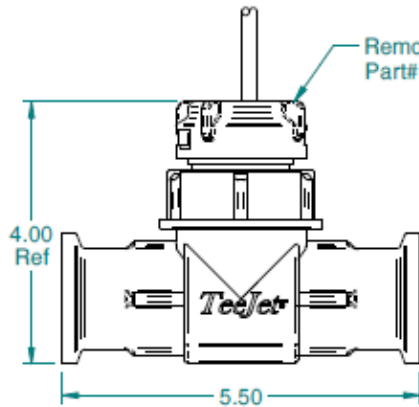


CROPLANDS PART NUMBERS: 90-50230 – INLINE 1" FLOWMETER 801 SERIES 10-225LPM

TeeJet 801 FM Assemblies		Mid-Tech 801 FM Assemblies		Hose Connection Option	
P/N	Description	P/N	Description	P/N	Description
90-50231	801 w/ 3/4" HB	90-02175	801 w/ 3/4" HB	57-10112*	3/4" Hose Barb
90-50230	801 w/ 1" HB	90-02176	801 w/ 1" HB	57-10113*	1" Hose Barb
90-50232	801 w/1 1/4" HB	90-02177	801 w/1 1/4" HB	57-10114*	1 1/4" Hose Barb
90-50233	801 w/1 1/4" NPT (F)	90-02178	801 w/1 1/4" NPT (F)	57-10115*	1 1/4" NPT (F)
Above assemblies include flow meter interface cable 45-05315				(*) 2 Required per 57-10100 flow meter	
				Note: Also requires 2 flange clamp (50 series) assemblies 90-50229	



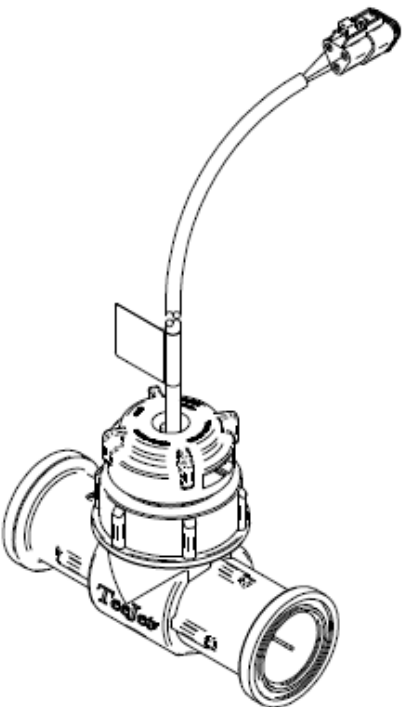
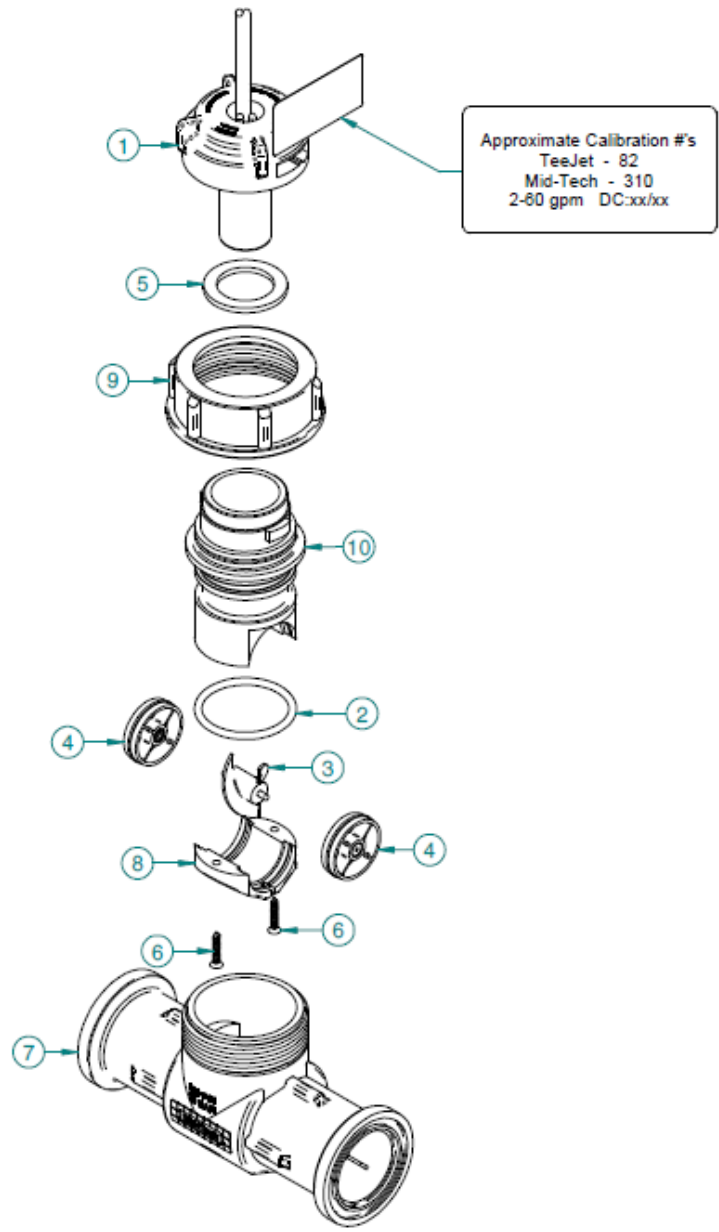
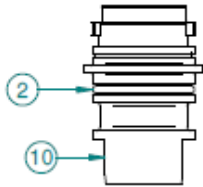
- Material:**
- 303 Stainless Steel
 - 410 Stainless Steel
 - Nylon
 - Polypropylene
 - Ruby
 - Sapphire

- Features:**
- Efficient helical turbine design
 - Easy access to turbine assembly for cleaning and maintenance
 - Flange mount design for flexible installation options
 - 2.5-60 GPM (10-225 LPM)

Housing, Deutsch 3 Pos/Skts		
Pin Out	Color	Function
A	Red	(+ 12v)
B	White	Signal
C	Black	Ground

- Notes:**
- Approximate calibration #82 pulses/lit - 310 pulses/gal.
 - Vertical mounting position recommended
 - 12 inches (30cm) of uninterrupted flow required before the flow meter and 6 inches (15cm) of uninterrupted flow required after flow meter.
 - 45-05315 Flow meter interface cable required for Mid-Tech controls.

Item	Description	Part Number	QTY	U.M.
1	Sensor, PCB Assembly	16-00008	1	EA
2	O-Ring, 35mmx3mm	57-00065	1	EA
3	Turbine Assembly 801 FM	57-10108	1	EA
4	Guide Vane Bearing	57-10109	2	EA
5	Washer, Seat, 801	57-10111	1	EA
6	Screw, #6-5/8" LG Flat Head	60-04031	2	EA
7	Body, 801 Flowmeter	64-50044	1	EA
8	Endcap, 801 Flowmeter	64-50045	1	EA
9	Retaining, Nut 801 FM	64-50046	1	EA
10	Insert, Body 801 FM	64-50047	1	EA



NOTE
 SOME PARTS ARE NON-STOCK
 ITEMS AND MAY NEED TO BE
 ORDERED