

CROPLANDS PART NUMBERS: A316163 – FILTER 1 ½” 50 MESH LONG THREAD

WHERE USED: IN CONJUNCTION WITH AR160-185 & ARBHS140-160 PUMPS ON BRUMBY, COLT, CROPLINER, GRAPLINER, HERBLINER, PINTO 3000L, QUANTUM MIST

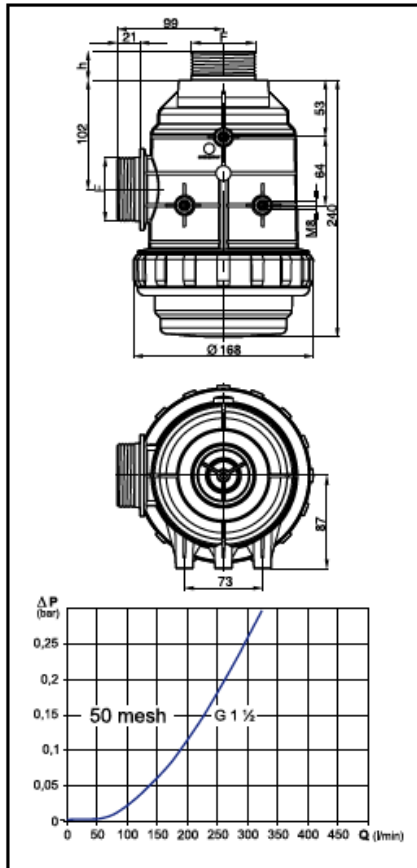
NOTE

PLEASE ADD PREFIX **A** TO PART NUMBER TO REFLECT CROPLANDS PART NUMBER



Suction filters series 316

- 1 ½” BSP threads
- Filtering capacity 160-220 l/min
- Cartridge Ø 107 x 200 mm
- Polypropylene body
- EPDM gaskets (VITON® optional)
- Brass fixing inserts



Filtros de aspiración serie 316

- Roscas G 1 ½
- Capacidad filtrante 160 l/min a 220 l/min
- Cartucho Ø 107 x 200 mm
- Cuerpo de polipropileno
- Juntas en EPDM (bajo demanda, en VITON®)
- Casquillos de fijación de latón

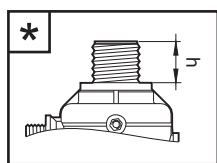
COD. CODE CÓD.	F (BSP)	Tipo di rete Screen type Tipo de red	h (mm)	Area effettiva Effective area Área efectiva	
				cm ²	sq. inches
316 2062	G 1 1/2	Inox 32 mesh	20	242	37.5
316 2063		Inox 50 mesh		222	34.5
316 20635		Inox 80 mesh		244	37.7
316 2162	G 1 1/2	Inox 32 mesh	42	242	37.5
316 2163		Inox 50 mesh		222	34.5
316 21635		Inox 80 mesh		244	37.7

		Ricambio Spare part Repuesto
COD. CODE CÓD.	Tipo Type Tipo	
316 2002.030	Inox 32 mesh	
316 2003.030	Inox 50 mesh	
316 20035.030	Inox 80 mesh	



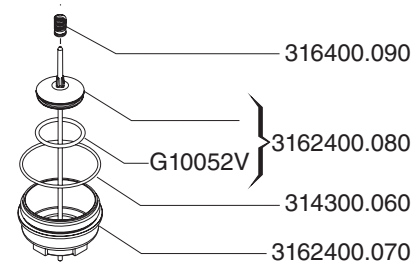
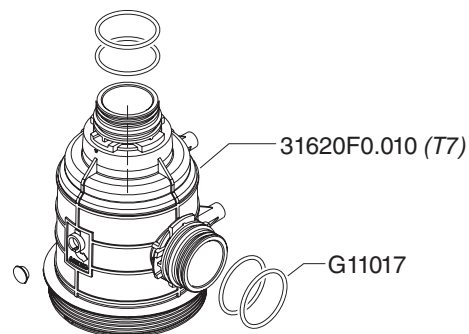
CODE

- 3162062
- 3162063
- 31620635
- 3162072
- 3162073
- 31620735
- 31620F2
- 31620F3
- 31620F35
- 3162162
- 3162163
- 31621635
- 3162172
- 3162173
- 31621735
- 3162462
- 3162463
- 31624635
- 3162472
- 3162473
- 31624735
- 31624F2
- 31624F3
- 31624F35
- 3162562
- 3162563
- 31625635
- 3162572
- 3162573
- 31625735

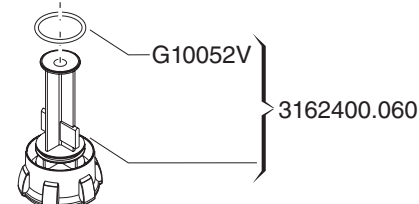
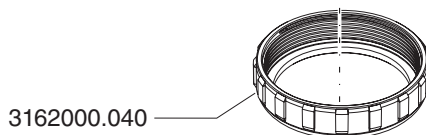
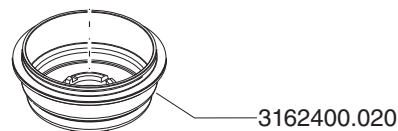
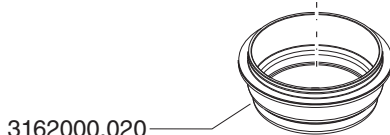
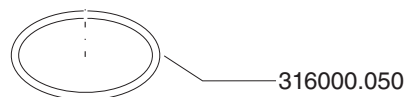
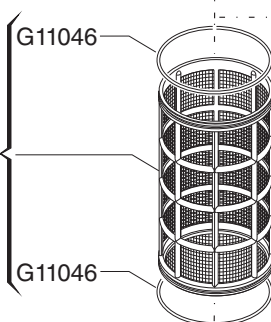


(h = 24 mm / G 1" 1/2)* 3162060.010
 (h = 24 mm / G 2")* 3162070.010
 (h = 45 mm / G 1" 1/2)* 3162160.010
 (h = 45 mm / G 2")* 3162170.010

(rosso / red) 4542233.055
 (blu / blue) 4542233.0581
 (giallo / yellow) 4542233.056



colore / color ISO 19732	MESH	codice / code
rosso / red	32	3162002.030
blu / blue	50	3162003.030
giallo / yellow	80	31620035.030



NOTE

**SOME PARTS ARE NON-STOCK
ITEMS AND MAY NEED TO BE
ORDERED**