

CROPLANDS PART NUMBER: A4621AA20000 – A463 ORION FLOW METER 2/50LT ELEC/MAG

ORION electro-magnetic flow meter



Advantages

- No mechanical moving parts inside the pipe
- Performances independent from fluid density and viscosity
- Low sensitivity to turbulence
- High precision
- Low maintenance

Characteristics

- Typical error: 0,5% full scale
- Working pressure: up to 40 bar
- Power supply: 11 to 15 Vdc
- 0-12 Vdc pulse output with frequency proportional to rate
- Max consumption: 300 mA
- Output only by flowing fluid
- Available with threaded or flanged fittings
- Threaded fittings in fiber glass reinforced Nylon (20 bar) or brass (40 bar)
- Parts in contact with fluid made of polypropylene and Stainless Steel 316



COD. CODE CÓD.	 <i>It/1'</i> <i>US GPM</i>		 <i>bar</i> <i>PSI</i>		Passaggi Interni Internal passages Pasos Internos	Impulsi Pulses Pulsos	
					<i>mm</i>	<i>pls/l</i>	<i>pls/GAL</i>
4621AA20000	2,5÷50	0.6÷13	40	580	10	1200	4542

NOTE

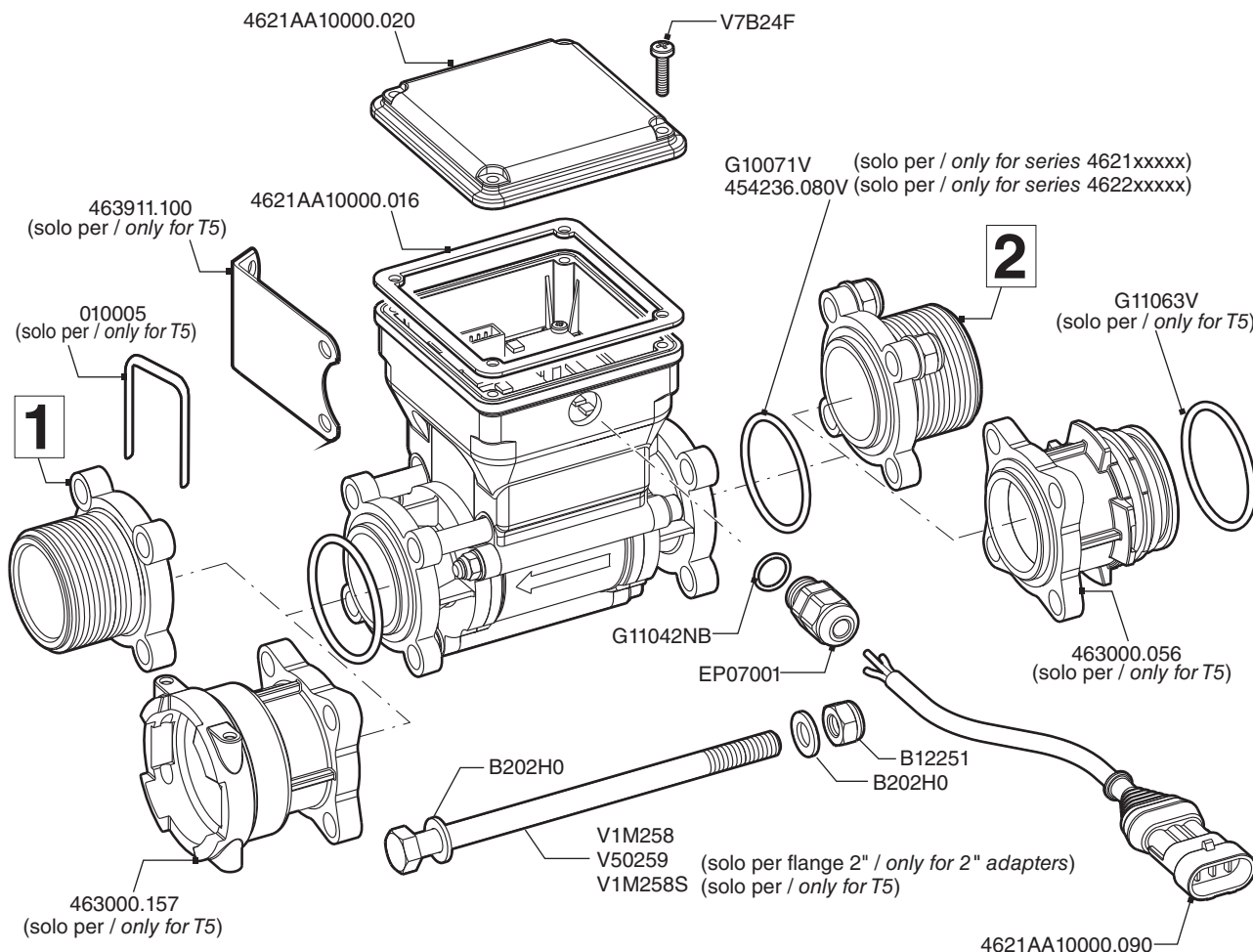
SOME PARTS ARE NON-STOCK
 ITEMS AND MAY NEED TO BE
 ORDERED

NOTE

PLEASE ADD PREFIX **A** TO
 PART NUMBER TO REFLECT
 CROPLANDS PART NUMBER

CODE

4621AA00000
 4621AA01313
 4621AA03333
 4621AA10000
 4621AA11313
 4621AA13333
 4621AA1A5B5
 4621AA20000
 4621AA21313
 4621AA23333
 4621AA2A5B5
 4621AA30000
 4621AA31414
 4621AA33434
 4621AA3A5B5
 4621AA40000
 4621AA41414
 4621AA41515
 4621AA43434
 4621AA4A5B5
 4622AA40000
 4622AA50000
 4622AA51515
 4622AA51616
 4622AA60000
 4622AA61616
 4622AA61717



COD. FLUSSOMETRO FLOW METER	COD. 1	COD. 2	ATTACCO COUPLING	MATERIALE MATERIAL
4621AA01313	463000.130	463000.030	G 3/4 M	Nylon
4621AA03333	463000H.130	463000H.030	G 3/4 M	Ottone/Brass
4621AA11313	463000.130	463000.030	G 3/4 M	Nylon
4621AA13333	463000H.130	463000H.030	G 3/4 M	Ottone/Brass
4621AA21313	463000.130	463000.030	G 3/4 M	Nylon
4621AA23333	463000H.130	463000H.030	G 3/4 M	Ottone/Brass
4621AA31414	463000.140	463000.040	G 1 M	Nylon
4621AA33434	463000H.140	463000H.040	G 1 M	Ottone/Brass
4621AA41414	463000.140	463000.040	G 1 M	Nylon
4621AA41515	463000.150	463000.050	G 1 1/4 M	Nylon
4621AA43434	463000H.140	463000H.040	G 1 M	Ottone/Brass
4622AA51515	473000.150	473000.050	G 1 1/4 M	Nylon
4622AA51616	473000.160	473000.060	G 1 1/2 M	Nylon
4622AA61616	473000.160	473000.060	G 1 1/2 M	Nylon
4622AA61717	473000.170	473000.070	G 2 M	Nylon