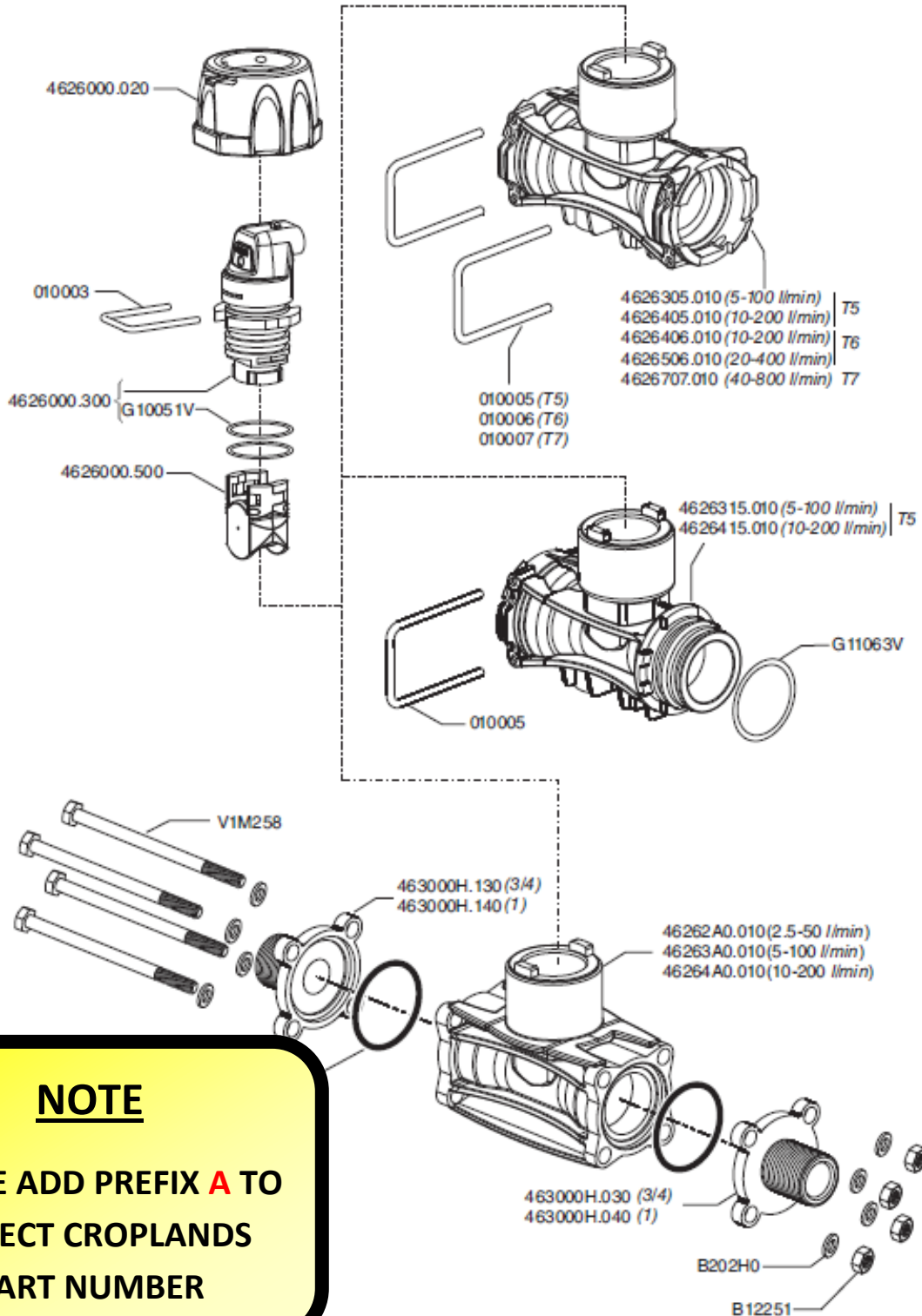


## CROPLANDS PART NUMBER: A4626405 - WOLF FLOW METER T5F 10-200LT PADDLE

WHERE USED: PEGASUS 8000L



### NOTE

PLEASE ADD PREFIX **A** TO  
REFLECT CROPLANDS  
PART NUMBER

### NOTE

SOME PARTS ARE NON-STOCK ITEMS  
AND MAY NEED TO BE ORDERED