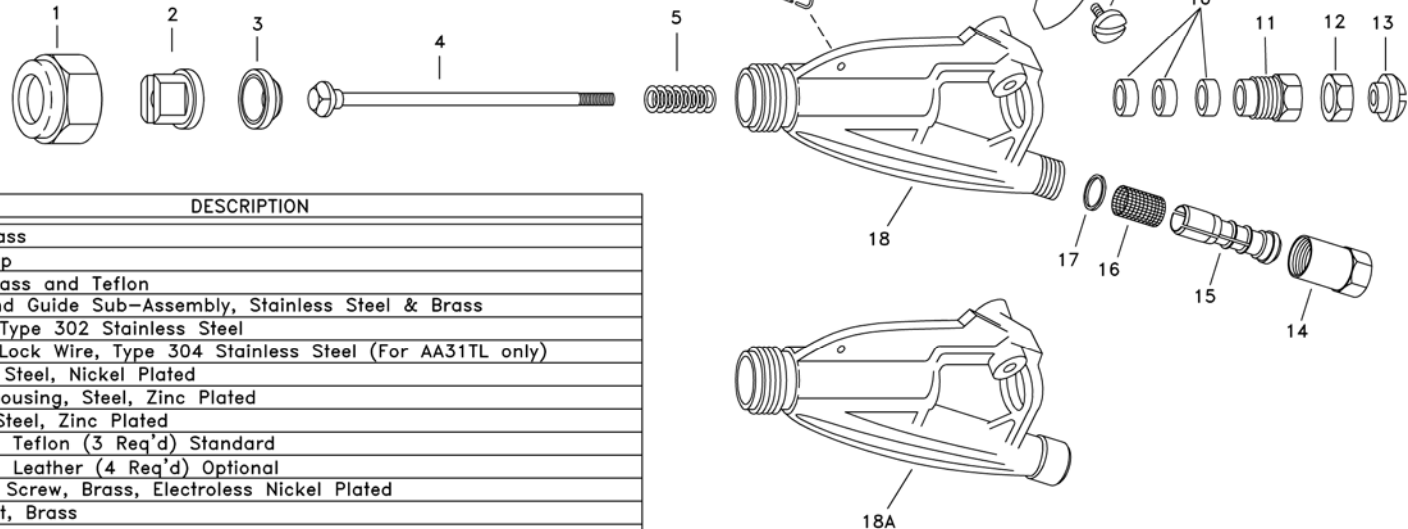


No. AA31



ITEM	PART NO.	DESCRIPTION	
1	CP1325	Cap, Brass	
2	TP---	Spray Tip	
*	3	CP7490-BRTEF	Seat, Brass and Teflon
*	4	CP9032-1-BRSS	Stem and Guide Sub-Assembly, Stainless Steel & Brass
*	5	CP9134-302SS	Spring, Type 302 Stainless Steel
6	CP9108-304SS	Trigger Lock Wire, Type 304 Stainless Steel (For AA31TL only)	
7	CP9033-INP	Trigger, Steel, Nickel Plated	
8	CP9034-1-IZP	Screw Housing, Steel, Zinc Plated	
9	CP9034-2-IZP	Screw, Steel, Zinc Plated	
*	10	CP7487-1-TEF	Packing, Teflon (3 Req'd) Standard
		CP7487-LEA	Packing, Leather (4 Req'd) Optional
11	CP7485-ENP	Packing Screw, Brass, Electroless Nickel Plated	
12	CP9035	Lock Nut, Brass	
13	CP9036	Nut, Brass	
14	CP8633-NP	Strainer Body, Brass, Nickel Plated (Optional For AA31 & AA31TL)	
15	CP8634	Screen Support, Brass (Optional For AA31 & AA31TL)	
16	CP3929-**-SS	Screen, Stainless Steel (50 or 100 Mesh) Optional For AA31 & AA31TL	
17	CP8635-NY	Gasket, Nylon (Optional For AA31 & AA31TL)	
18	CP9062	Body, Brass, (For Model AA31)	
		CP9062-3	Body, Brass, (For Model AA31TL)
18A	CP9062-1	Body, Brass, (For Model AA31-1/4F)	
		CP9062-4	Body, Brass, (For Model AA31TL-1/4F)

No. AA31 GunJet® Spray Gun Without Trigger Lock [1/4" NPS (M) Conn.]
 No. AA31-1/4F GunJet® Spray Gun Without Trigger Lock [1/4" NPT (F) Conn.]
 No. AA31TL GunJet® Spray Gun With Trigger Lock [1/4" NPS (M) Conn.]
 No. AA31TL-1/4F GunJet® Spray Gun With Trigger Lock [1/4" NPT (F) Conn.]
 AB31-KIT Spare Parts Kit (Includes All items Marked With *)
 **Specify Screen Mesh Required.

DESCRIPTION:
 NO. AA31 GUNJET®
 SPRAY GUN



Spraying Systems Co.®
 Spray Nozzles and Accessories
 P.O. Box 7900 - Wheaton, IL 60189-7900

Rev. No. 3

Ref.

Parts List No.

PL 31

SHEET OF