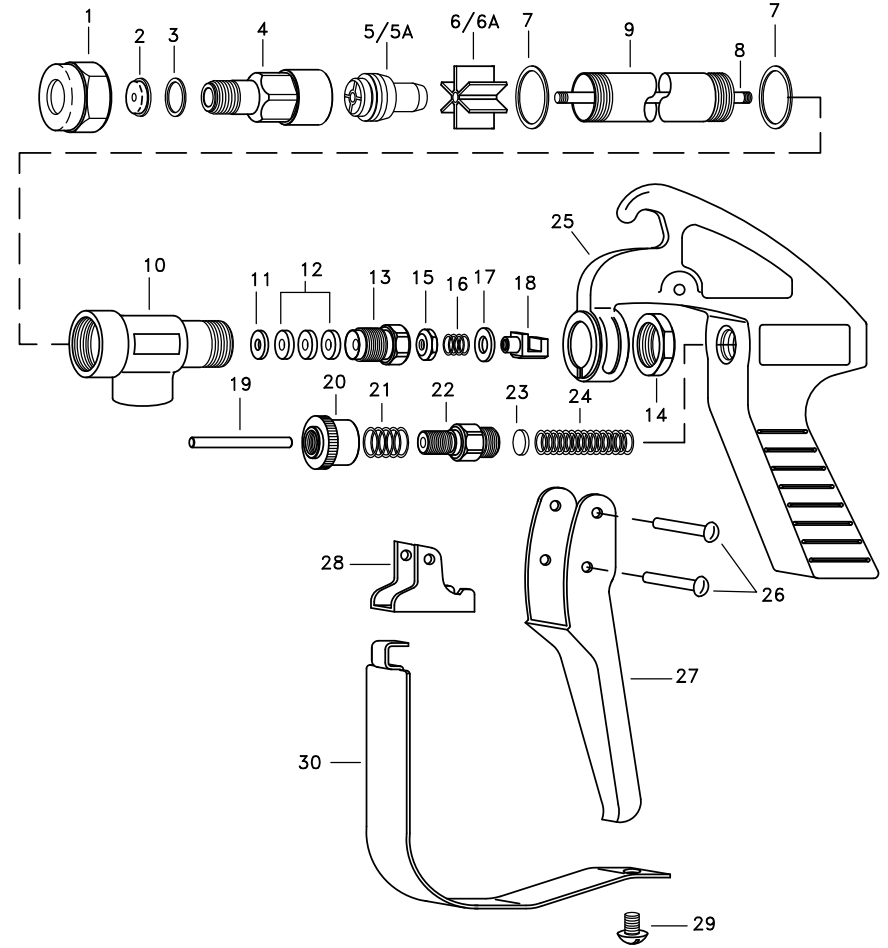



ITEM	PART NO.		DESCRIPTION
	BRASS	ALUMINUM	
1	CP1325	CP1325-AL	Cap, Brass or Aluminum
2	D-**	D-**	Orifice Disc, Hardened Stainless Steel
* 3	CP4743-NY	CP4743-NY	Gasket, Nylon
* 4	CP10566	CP10566-AL	Nozzle Housing, Brass or Aluminum
* 5	10565-1-NY	10565-1-NY-AL	Seat Plug, Seat Plate, Washer & Core Sub-Assembly Nylon Core With Brass Or Aluminum Seat Plug
5A	10565	10565-AL	Seat Plug, Seat Plate, Washer & Core Sub-Assembly Brass Or Aluminum (SPECIAL ORDER ONLY)
6	CP10571-2-NYB	CP10571-3-NYB	Guide Vane, Nylon
7	CP45195-NYB	CP45196-NYB	Gasket, Nylon (Black) 2 Req'd
8	CP19238-416SS	CP19238-416SS	Stem, Type 416 Stainless Steel
9	CP6604	CP6604-AL	Tubing, Brass or Aluminum
10	CP6492	CP6492-AL	Inlet Body, Brass or Aluminum
* 11	CP6601-302SS	CP6601-302SS	Packing Washer, Type 302 Stainless Steel
* 12	CP6602-LEA	CP6602-LEA	Packing, Leather (3 Req'd), Standard
	CP6602-TEF	CP6602-TEF	Packing, Teflon (3 Req'd), Optional
13	CP19237	CP19237-AL	Packing Screw, Brass or Aluminum
14	CP6599-NP	CP6599-NP	Locknut, Brass, Nickel Plated
15	CP9641-INP	CP9641-INP	Stem Nut, Steel, Nickel Plated
16	CP6595-SS	CP6595-SS	Trigger Stop Spring, Stainless Steel
17	CP7991-SS	CP7991-SS	Washer, Stainless Steel
18	CP6597-INP	CP6597-INP	Trigger Guide, Steel, Nickel Plated
19	CP6591-SS	CP6591-SS	Spring Stud, Stainless Steel
20	CP6589-IZP	CP6589-IZP	Stop Adjustment Nut, Steel, Zinc Plated
21	CP6594-SS	CP6594-SS	Spring for Stop Adjustment Nut, Stainless Steel
22	CP6588-IZP	CP6588-IZP	Spring Screw, Steel, Zinc Plated
23	CP6592-302SS	CP6592-302SS	Spring Guide Washer, Type 302 Stainless Steel
24	CP6593-1-SS	CP6593-1-SS	Main Spring, Stainless Steel (for Model #43L-)
	CP6593-2-SS	CP6593-2-SS	Main Spring, Stainless Steel (for Model #43H-)
25	CP14477-1-AL	CP14477-1-AL	GunJet Body, Aluminum
26	CP7623-IZP	CP7623-IZP	Rivet, Steel, Zinc Plated (2 Req'd)
27	CP6509-INP	CP6509-INP	Trigger, Steel, Nickel Plated
28	CP6510-INP	CP6510-INP	Trigger Stop, Steel, Nickel Plated
29	CP11757-SS	CP11757-SS	Screw, Stainless Steel
30	CP13798-INP	CP13798-INP	Trigger Guard, Steel, Nickel Plated

GunJet® No. AA43L - Brass, Complete, For Pressures up to 200 PSI
 GunJet® No. AA43L-AL - Aluminum, Complete, For Pressures up to 200 PSI
 GunJet® No. AA43H - Brass, Complete, For Pressures from 200 to 800 PSI
 GunJet® No. AA43H-AL - Aluminum, Complete, For Pressures from 200 to 800 PSI
 PK-AB43-KIT Spare parts Kit (Includes all items marked with *)
 PK-AB43-AL-KIT Spare parts Kit (Includes all items marked with *)
 ABC43-KIT Conversion Kit for Adjustable Stem - Items 8, 13 & 15 (for Model #43--)
 ABC43-AL-KIT Conversion Kit for Adjustable Stem - Items 8, 13 & 15 (for Model #43-AL--)

** Specify Orifice Disc Size



DESCRIPTION:
 AA43L & 43H
 GUNJET® SPRAY GUNS
 (13 INCH EXTENSION)



Spraying Systems Co.®
 Spray Nozzles and Accessories
 P.O. Box 7900 - Wheaton, IL 60187-7901

Rev. No. 2	Parts List No.
Ref.	PL 43
SHEET OF	