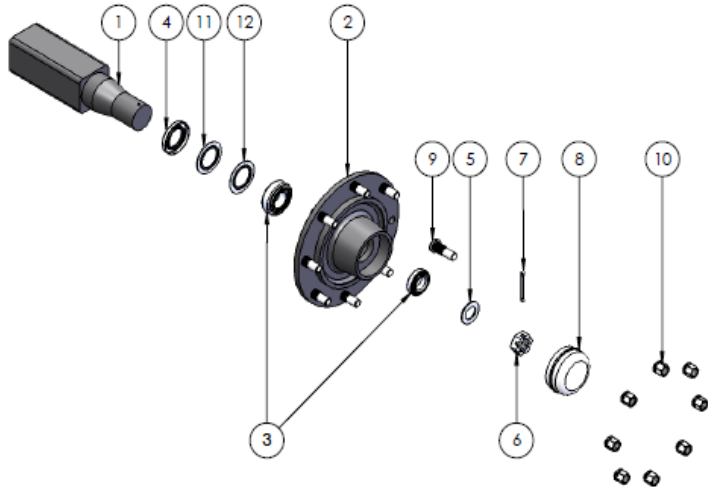


Item	Part No.	Description	Qty
1	AB246003-100	AXLE HOUSING	1
2	AB246001-100	RIGHT HAND ADJUSTABLE AXLE	1
3	AB246002-100	LEFT HAND ADJUSTABLE AXLE	1
4	AB246004-100	THREADED ROD M36	2
5	AB246005-100	HEX NUT PLAIN M36	8
	MT10013	SPEED SENSOR MOUNTING BRACKET (not shown)	1

Note: Drawing is for illustration purpose only  
Refer to parts list.



**STUB AXLE BP-545A**

Item	PART No.	Description
1	BP-532-1	STUB AXLE 90SQ x 538 LONG
2	BP-545A-2	WHEELHUB 8/275 PCD
3	BP-532-3	BEARING Kit 30311/32216
4	BP-532-4	TRIPLE LIP SEAL 140x100x12mm
5	BP-532-5	WASHER 1 3/4' GR.8
6	BP-532-6	SLOTTED/CASTLE NUT M45x2
7	BP-532-7	SPLIT PIN 80x8MM
8	BP-532-8	DUST CAP 120mm (4 screws needed items 13 and 14)
9	HP-199F-7	WHEEL STUD M18x1.5x65
10	HP-199F-8	WHEEL NUT M18x1.5
11	BP-532-11	SEAL RING 100.5x82x16mm
12	BP-532-12	WEAR RING (to suit triple lip seal)
13	BP-532-13	SOCKET HEAD CAP SCREW M6x20 (not shown)
14	BP-532-14	M6 RIB LOCK WASHER (not shown)