

Description

Alternating volumetric pumps with three semi-hydraulic diaphragms for use in agriculture in low pressure systems for spraying open field crops with fertilisers, pesticides or weed killers. Parts in contact with pumped liquids in Rilsan-coated aluminium, nylon and stainless steel.

Diaphragms in NBR, H.P.D.S., Desmopan or Viton. Seals in NBR or Viton.

Boxer or star configuration with from two to six pistons. Die-cast casing with oil-immersed mechanism and clear plastic tank for visual level checking. Remote level monitoring sensor on request. Remote oil tank installation kit available on request. Oil drainage stopper. Pistons with ring for a more efficient "oil cushion" system to protect the diaphragm.

New-design diaphragm cut-out system to prevent contact tearing even in heavy-duty operating conditions. Spherical sector profile valves for lower flow resistance and improved volumetric efficiency. Rugged feet secured to pump casing. GEOMET coated or stainless steel metal fasteners.

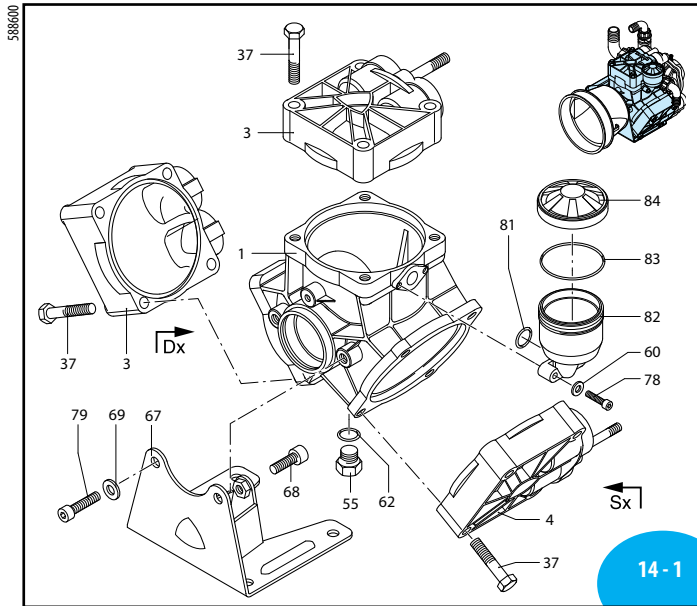


Detail	Value
ARCode	1208
Family	Low Pressure
Prodotto	AR 135 bp
Versione	SPxCR
N_of_diaph	3
Delivery_l_min	128.0
Delivery_gpm	33.8
Pressure_bar	20
Pressure_psi	290
Power_hp	6.8
RPM	550
Weight_kg	15.5
Dimensions_mm_l	306
Dimensions_mm_h	293
Dimensions_mm_w	340
Suction_mm	ø 40
Outlet_mm	ø 25
Temperature Max °C	60

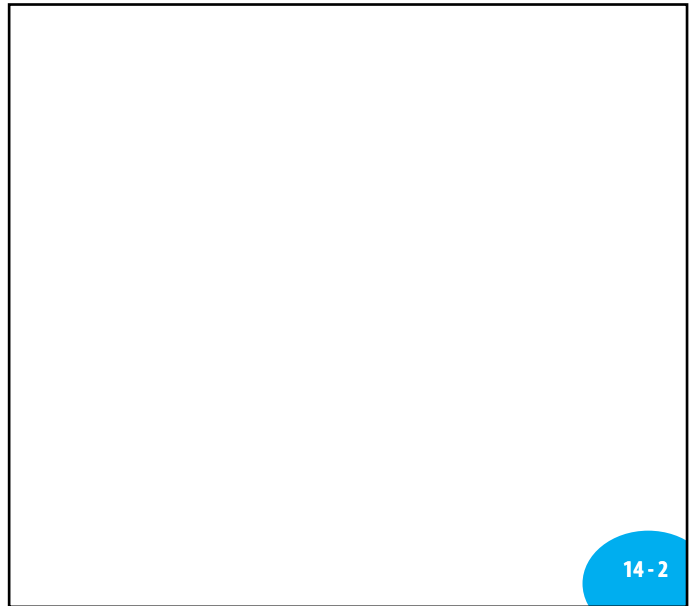
Technical data AR 135 bp SPxCR



AR 115 bp - AR 135 bp - AR 115 bp/1000 giri-rpm

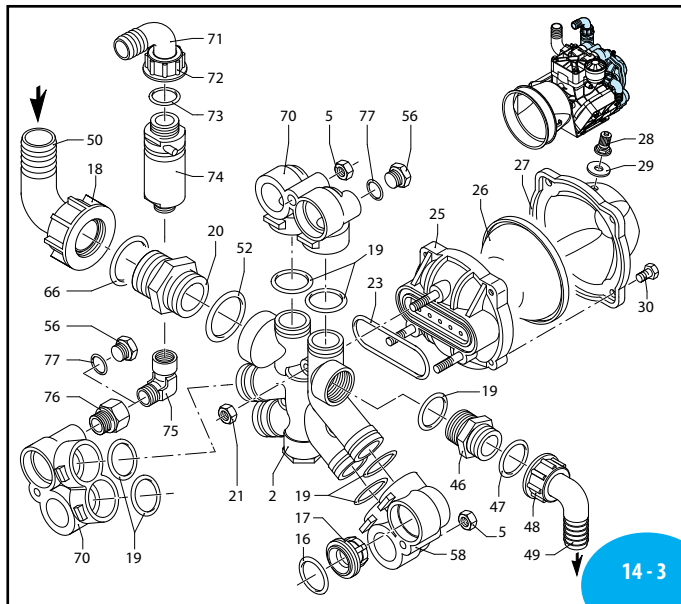


14 - 1

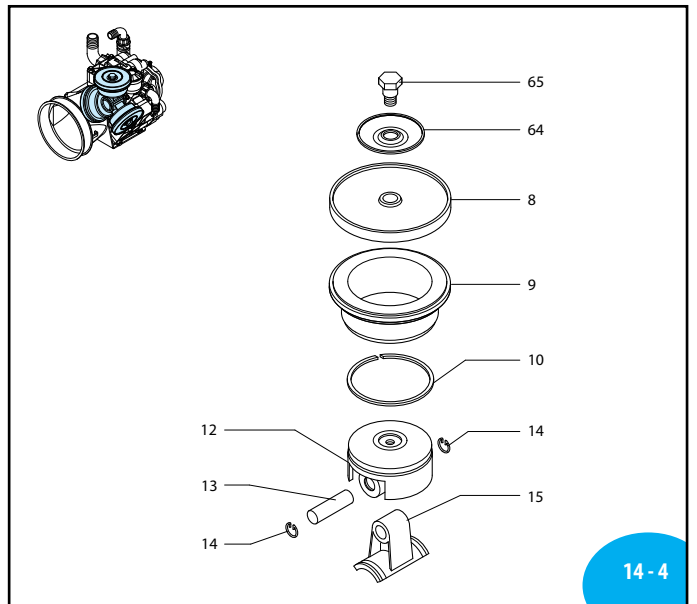


14 - 2

SL000061-EZ



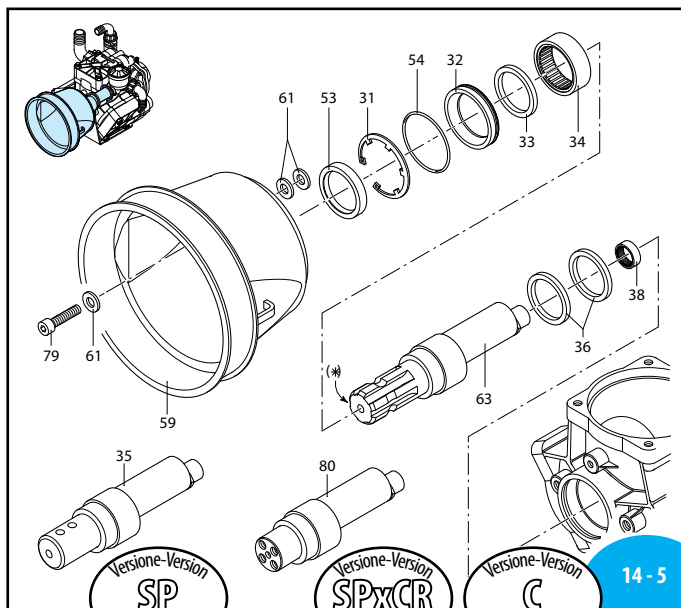
14 - 3



14 - 4

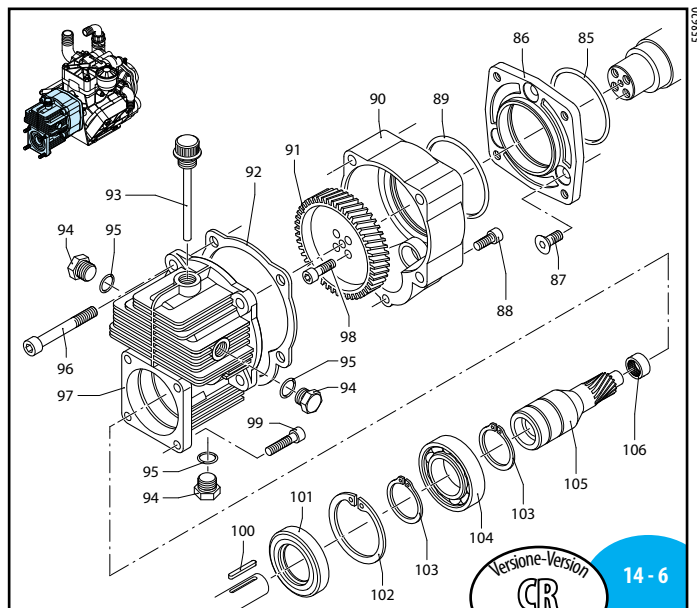
SL000062-EZ

UN990004-IB



14 - 5

UN990002-IB



14 - 6

UN980017-IC

AR 115 bp - AR 135 bp - AR 115 bp/1000 giri-rpm

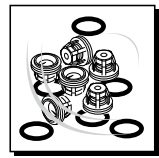
Pos.	Cod.	Descrizione	Description	Q.ty	Note
1	580013	Corpo pompa	Pump body	1	
2	580150	Condotto mand.- asp.	Manifold line	1	
3	550101	Testa valvola DX	Right head	2	
4	550102	Testa valvola SX	Left head	1	
5	180152	Dado M 10	Nut	3	Geomet C ₄₀
6	550080	Membrana	Diaphragm	3	Gomma
7	550084	Membrana	Diaphragm	3	Viton
8	550085	Membrana	Diaphragm	3	Desmopan
9	550086	Membrana	Diaphragm	3	H.P.D.S.
10	580110	Camicia	Sleeve	3	AR 115 bp
11	580350	Camicia	Sleeve	3	AR 135 bp
12	500260	Segmento	Piston ring	3	
13	580120	Pistone	Piston	3	
14	380300	Spinotto	Pin	3	☒
15	380080	Anellino spinotto	Pin ring	6	
16	580140	Biella	Connecting rod	3	
17	320030	OR ø 31,5x4,5	O-Ring	6	90 Sh ☒
18	759051	Valvola completa	Complete valve	6	
19	540541	Girello 1" 3/4 G spec.	Ring nut	1	
20	390291	OR ø 28,25x2,62	O-Ring	7	☒
21	540530	Nipples 1"1/4-1"3/4 G (M)	Threaded adapter	1	
22	390271	Dado M 8	Nut	3	Geomet C ₂₀
23	580050	Guarnizione	Gasket	1	☒
24	580180	Semisfera inferiore	Lower air chamber	1	
25	550190	Semicamera aria	Semi air chamber	1	Gomma
26	550191	Semicamera aria	Semi air chamber	1	Saturflon
27	550192	Semicamera aria	Semi air chamber	1	Viton
28	550193	Semicamera aria	Semi air chamber	1	H.P.D.S.
29	550233	Semisfera superiore	Upper air chamber	1	Nera / Black
30	550300	Valvola di gonfiaggio	Air-valve	1	C ₃
31	650542	Guarnizione	Gasket	1	
32	550680	Vite TE M 8x20	Bolt	4	C ₂₀
33	200391	Anello seeger	Circlip	1	
34	550470	Bussola anello tenuta	Gasket retainer	1	
35	550070	Rondella tenuta	Spacer ring	1	
36	550060	Boccola a rullini	Roller bushing	1	↓
37	550170	Albero eccentrico "SP"	"SP" shaft	1	AR 115 bp (AL)
38	580380	Albero eccentrico "SP"	"SP" shaft	1	AR 135 bp (AT)
39	580470	Anello biella	Con rod ring	2	☒
40	551040	Vite TE M 10x55	Bolt	12	Geomet C ₄₀
41	550310	Boccola a rullini	Roller bushing	1	↓
42	550340	Nipples 1"G(M)-1"G(M)	Threaded adapter	1	
43	550350	OR ø 23,81x2,62	O-Ring	1	☒
44	550242	Girello 1" G	Ring nut	1	
45	550370	Curva ø 25	Elbow	1	
46	540550	Curva ø 40	Elbow	1	
47	250310	OR ø 36,14x2,62	O-Ring	1	☒
48	550491	Anello tenuta	Seal ring	1	☒
49	650920	OR ø 53,65x2,62	O-Ring	1	☒
50	880530	Tappo 3/8" G	Plug	1	C ₂₀
51	330173	Tappo 1/2" G	Plug	2	Geomet C ₂₀
52	580072	Attacco asp. mand. SX	Left manifold coupling	1	

Pos.	Cod.	Descrizione	Description	Q.ty	Note
53	1500350	Protezione cardano	Cardan protection	1	
54	550332	Rosetta øi 6,5	Washer	2	Geomet
55	320621	Rosetta øi 10,5	Washer	5	Geomet
56	740290	OR ø 14x1,78	O-Ring	1	▶
57	550173	Albero eccentrico "C"	"C" shaft	1	AR 115 bp (AM)
58	580330	Albero eccentrico "C"	"C" shaft	1	AR 135 bp (AS)
59	580370	Piattello	Plate	3	
60	580360	Perno membrana	Diaphragm pin	3	● C ₂₀
61	250310	OR ø 36,14x2,62	O-Ring	1	☒
62	580080	Piede corpo pompa	Base	1	
63	540301	Vite TCEI M 10x30	Bolt	1	Geomet C ₄₀
64	200233	Rosetta øi 10,5	Washer	2	Geomet
65	580400	Attacco DX forato	Right man.coup.+outlet	2	
66	550460	Curva ø 18	Elbow	1	
67	550450	Girello 3/4" G	Ring nut	1	
68	880831	OR ø 15,54x2,62	O-Ring	1	Viton
69	1609000	Valvola di sicurezza	Safety valve	1	■
70	881560	Gomito 90° 1/2"G (M)-(F)	Elbow	1	■
71	580421	Prolunga (M)-(F) 1/2"G	Extension	1	C ₂₀
72	180101	OR ø 17,5x2	O-Ring	2	▶
73	850851	Vite TCEI M 6x30	Bolt	2	Geomet C ₁₀
74	620472	Vite TCEI M 10x20	Bolt	3	Geomet C ₃₀
75	550175	Albero eccentric. "SPxCR"	"SPxCR" shaft	1	AR 115 bp (AN)
76	580430	Albero eccentric. "SPxCR"	"SPxCR" shaft	1	AR 135 bp (AX)
77	390180	OR ø 18,72x2,62	O-Ring	1	▶
78	1040310	Serbatoio olio	Oil tank	1	
79	650920	OR ø 53,65x2,62	O-Ring	1	
80	1040322	Tappo serbatoio nero	Black oil tank cap	1	AR 115 bp
81	1040320	Tappo serbatoio rosso	Red oil tank cap	1	AR 135 bp
82	580230	OR ø 69,52x2,62	O-Ring	1	
83	550920	Flangia	Flange	1	
84	550950	Vite TSEI M 10x25	Bolt	3	C ₂₀
85	180030	Vite TCEI M 8x20	Bolt	1	C ₂₅
86	620561	OR ø 78x2,5	O-Ring	1	☒
87	621000	Coperchio riduttore	Gear cap	1	
88	550930	Ruota dentata	Gear	1	Z= 64
89	620950	Guarnizione scatola	Gasket	1	
90	1140370	Tappo olio + OR	Oil plug & o-ring	1	
91	1980740	Tappo 3/8" G	Plug	3	Ottone/Brass ● C ₂₀
92	740290	OR ø 14x1,78	O-Ring	3	
93	621010	Vite TCEI M 10x75	Bolt	4	● C ₂₅
94	620960	Scatola riduttore	Gear box	1	
95	540290	Vite TCEI M 8x25	Bolt	4	● C ₂₅
96	651000	Vite TCEI 5/16"	Bolt	4	5/16"x24UNFx1"
97	881090	Linguetta	Key	1	
98	961800	Anello tenuta	Seal ring	1	☒
99	961790	Anello seeger	Circlip	1	
100	320240	Anello seeger	Circlip	2	
101	961780	Cuscinetto	Bearing	1	☒
102	621660	Pignone	Pinion	1	Z= 11
103	620990	Cuscinetto	Bearing	1	

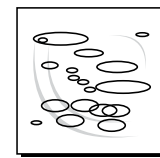
Bassa Pressione
Low Pressure



KIT 2367	
Membrane gomma Buna diaphragms	
KIT 2368	
Membrane HPDS HPDS diaphragms	
KIT 2369	
Membrane Desmopan Desmopan diaphragms	
Pos.	Q.ty
8	3



KIT 2370	
Valvole Valves	
Pos.	Q.ty
16	6
17	6



KIT 2026	
OR O-Rings	
Pos.	Q.ty
16	6
19	7
29	1
47	1
52	1
54	1
66	1
81	1
83	1



KIT 2025					
Pronto intervento Maintenance repair					
Pos.	Q.ty	Pos.	Q.ty	Pos.	Q.ty
8	3	46	1	81	1
16	6	47	1	82	1
17	6	48	1	83	1
18	1	49	1	84	1
19	7	50	1		
20	1	53	1		
23	1	54	1		
26	1	64	1		
29	1	65	1		



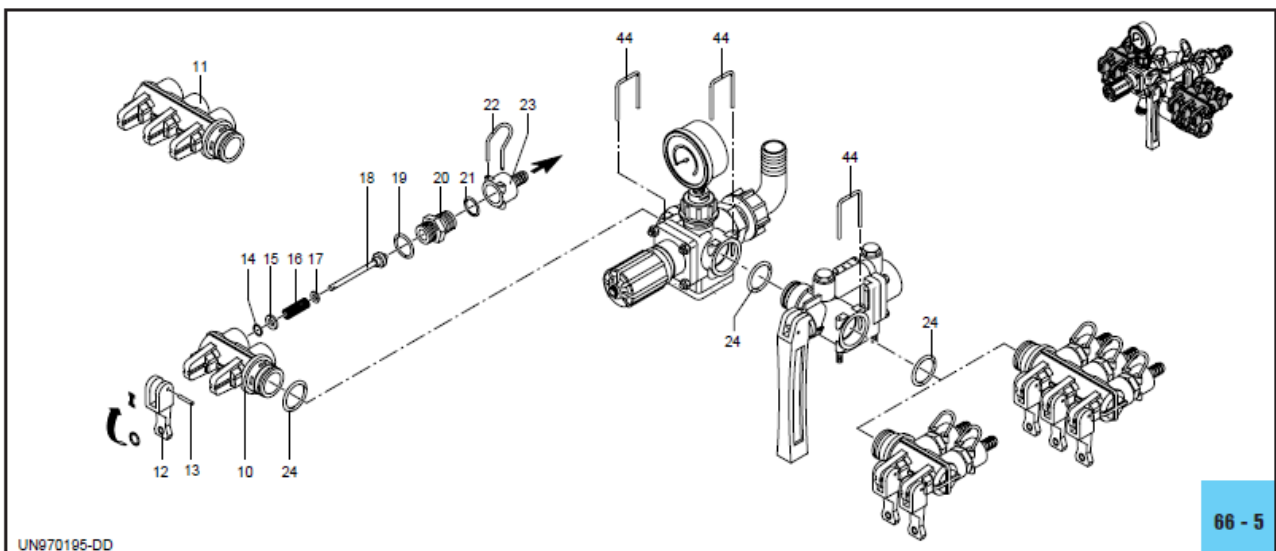
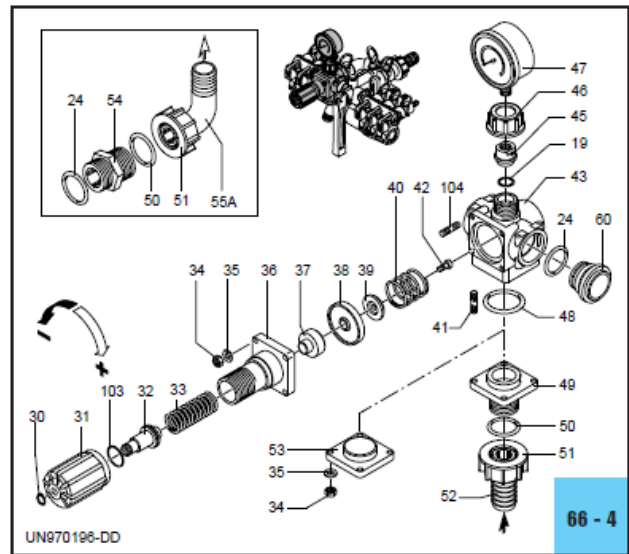
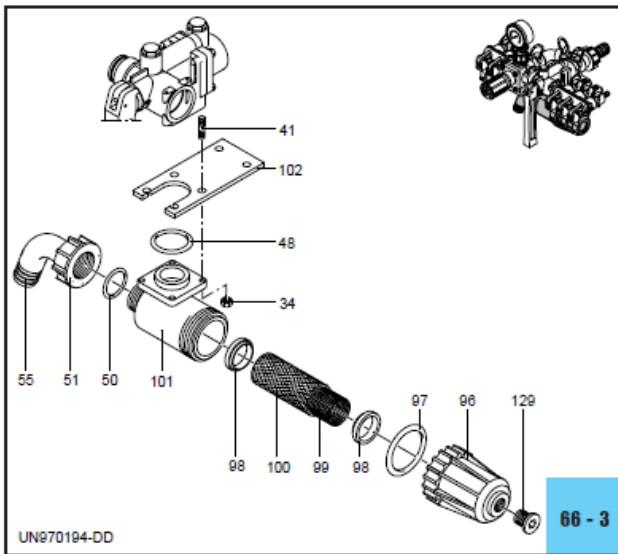
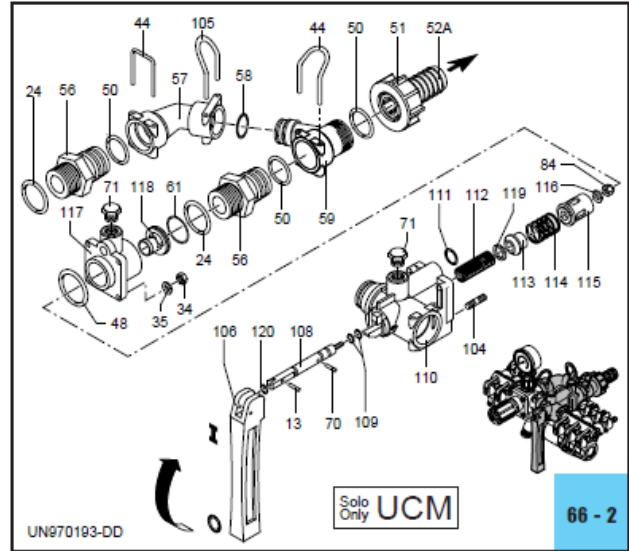
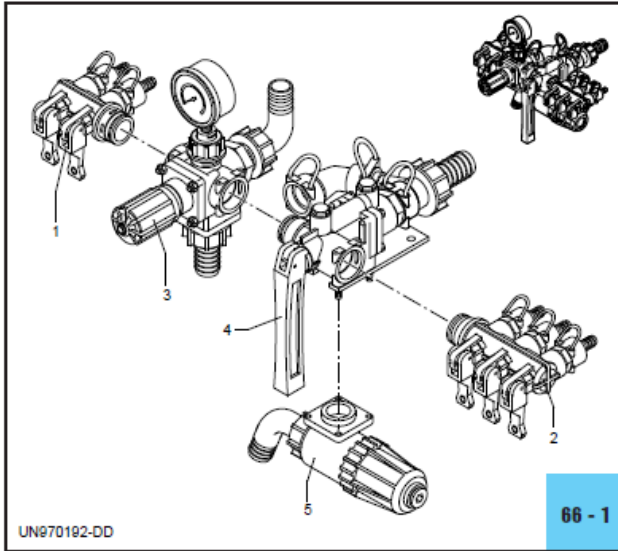
Olio utilizzato	
Used oil	
Tipo - Type	Kg
Pompa-Pump SAE 30	1
Ridut.- Gear box SAE 30	0,26

NOTE
SOME PARTS ARE NON-STOCK
ITEMS AND MAY NEED TO BE
ORDERED

NOTE
PLEASE ADD PREFIX AR
TO REFLECT CROPLANDS
PART NUMBER

AR1320 – ECM 2 WAY

ECM - UCM

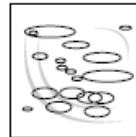


Pos.	Cod.	Descrizione	Description	Q.ty	Note
1	1547	Gruppo rub.2 vie SX	Left 2-way valve	1	Uscita/Outlet ø 12
	1548	Gruppo rub.3 vie SX	Left 3-way valve	1	Uscita/Outlet ø 12
2	1571	Gruppo rub.2 vie DX	Right 2-way valve	1	Uscita/Outlet ø 12
	1572	Gruppo rub.3 vie DX	Right 3-way valve	1	Uscita/Outlet ø 12
3	1348	Valvola reg.comp.ECM	ECM compl.reg.valve	1	
	1349	Valvola reg.comp.UCM	UCM compl.reg.valve	1	
4	1351	Corpo distributore+R	Distributor body+R	1	
5	1553	Gruppo filtro compl.	Complete filter	1	
10	394850	Corpo rubinetto 2 vie	2-way valve body	1	
11	394860	Corpo rubinetto 3 vie	3-way valve body	1	
12	394690	Leva rubinetto rossa	Red valve lever	4	
13	390330	Spina elastica	Pin	5	
14	390341	OR ø 5x2	O-Ring	4	
15	390312	Rosetta ø 6	Washer	4	
16	390300	Molla asta valvola	Spring	4	
17	390313	Rosetta ø 9	Washer	4	
18	390323	Asta valvola completa	Complete valve rod	4	
19	180101	OR ø 17,5x2	O-Ring	5	
20	392600	Niples sede 20x1,5	Threaded adapter	4	
	392604	Tappo	Plug	-	Optional
21	640070	OR ø 13,95x2,62	O-Ring	4	
22	392580	Forcella	Fork	4	
23	392870	Portagomma ø 10	Hose tail	4	
	392590	Portagomma ø 12	Hose tail	4	
	392620	Portagomma ø 20	Hose tail	4	
24	390291	OR ø 28,25x2,62	O-Ring	5	
30	480550	Anello seeger	Circlip	1	
31	394790	Manopola regolazione	Adjustment knob	1	
32	394770	Perno compr. molla	Spring pin	1	
33	1040830	Molla	Spring	1	
34	390440	Dado M 6	Nut	16	
35	550331	Rosetta ø 6,5	Washer	12	
36	394780	Corpo superiore	Upper body	1	
37	394751	Pistone	Piston	1	
38	394741	Membranina	Diaphragm	1	Gomma
	394740	Membranina	Diaphragm	1	Desmopan
	394742	Membranina	Diaphragm	1	Viton
39	394720	Valvola	Valve	1	
40	394730	Molla di contrasto	Spring	1	
41	394830	Prigioniero M 6x34	Stud	8	
42	680700	Vite TCEI M 6x20	Bolt	1	
43	394700	Corpo valvola reg.	Regulating valve body	1	
44	395530	Forcella	Fork	5	
45	394800	Attacco manometro	Pressure gauge attach.	1	
46	550450	Girello 3/4" G	Ring nut	1	
47	391240	Manometro ø 63	Pressure gauge	1	0-24 bar
48	660170	OR ø 31,42x2,62	O-Ring	3	
49	394810	Flangia entrata	Flange	1	
50	550350	OR ø 23,81x2,62	O-Ring	4	
51	550242	Girello 1" G	Ring nut	2	
52	550210	Tubetto ø 25	Hose tail	2	
53	394840	Flangia chiusura	Flange	1	
54	550340	Niples 1"G(M)-1"G(M)	Threaded adapter	1	
55	550370	Curva ø 25	Elbow	1	
56	395000	Niples collettore	Manifold nipples	2	
57	395520	Collettore corpo reg.	Body manifold	1	
58	390060	OR ø 20,63x2,62	O-Ring	1	
59	395020	Coll. corpo principale	Body manifold	1	
60	394870	Tappo chiusura lat.	Plug	1	
61	770260	OR ø 23,52x1,78	O-Ring	1	
70	392120	Spina elastica	Pin	1	
71	880581	Tappo 1/4" G	Plug	2	
84	395390	Dado M6	Nut	1	
96	396100	Coperchio filtro	Filter cover	1	
97	395081	OR ø 47,30x2,62	O-Ring	1	Viton
98	395071	Guarnizione filtro	Filter gasket	2	
99	396110	Filtro interno	Internal filter	1	
100	396130	Rete esterna	External grid	1	
101	395030	Scatola filtro	Filter box	1	
102	394820	Staffa	Bracket	1	
103	770130	OR ø 20,35x1,78	O-Ring	1	

Pos.	Cod.	Descrizione	Description	Q.ty	Note
104	392330	Prigioniero M 6x30	Stud	8	
105	850730	Forcella	Fork	1	
106	1660560	Leva comando	Control lever	1	
108	1660020	Asta valvola	Complete valve rod	1	
109	480561	OR ø 6,85x1,78	O-Ring	2	Viton
110	1660010	Corpo valvola reg.	Main valve	1	
111	1660230	OR ø 13x2	O-Ring	1	
112	1660541	Molla	Spring	1	
113	1660050	Valvola aliment.barra	Feed rod valve	1	
114	1660090	Molla	Spring	1	
115	1660080	Guida com. risucchio	Guide	1	
116	393790	Rosetta ø 6,4	Washer	1	
117	1660060	Flangia risucchio	Flange	1	
118	1660100	Sede risuc. ø 7 Rosso	Red seat	1	Vedi/See ●
	1660110	Sede risuc. ø 9 Arancio	Orange seat	1	Vedi/See ▲
	1660120	Sede risuc. ø 10,5 Blu	Blue seat	1	Vedi/See ■
119	1660140	Rondella	Washer	1	
120	1660551	OR ø 7x2	O-Ring	1	Viton
129	396590	Tappo 3/8" G+guarn.	Plug & gasket	1	

Nota: Le quantità espresse sono riferite alla versione a 4 rubinetti
Note: The quantities refer to the 4 valves version

● Per/For: AR 70 bp ● Per/For: AR 60 bp
▲ Per/For: AR 115-135 bp - AR 125-145 bp ▲ Per/For: AR 100 bp - AR 120 bp
■ Per/For: AR 160 bp ■ Per/For: AR 150 bp

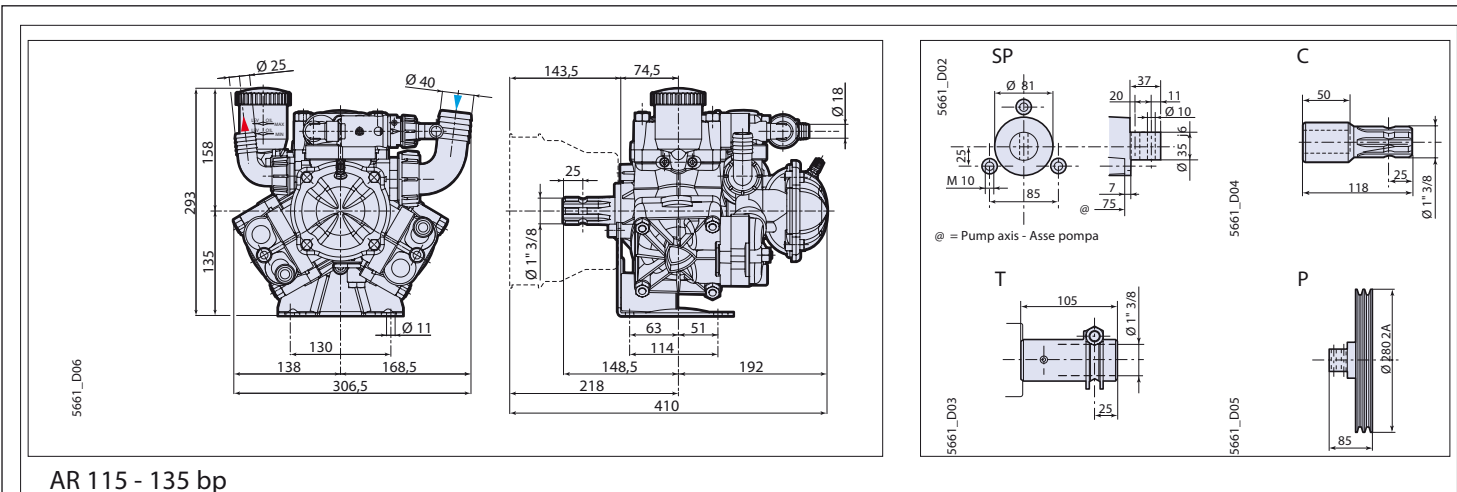


KIT 2346 OR O-Rings			
Pos.	Q.ty	Pos.	Q.ty
14	5	109	2
19	7	111	1
21	5	120	1
24	5		
48	3		
50	4		
58	1		
61	1		
97	1		
103	1		

KIT 2339 Pronto intervento Maintenance repair			
Pos.	Q.ty	Pos.	Q.ty
12	2	60	1
14	5	61	1
18	2	98	2
24	5	106	1
38	1	109	2
39	1	113	1
44	1	115	1
51	1	120	1
55	1		
58	1		

CROPLANDS PART NUMBERS: L-G1426 – ISOMETRIC GAUGE 63MM 25BAR ¼" BOTTOM ENTRY

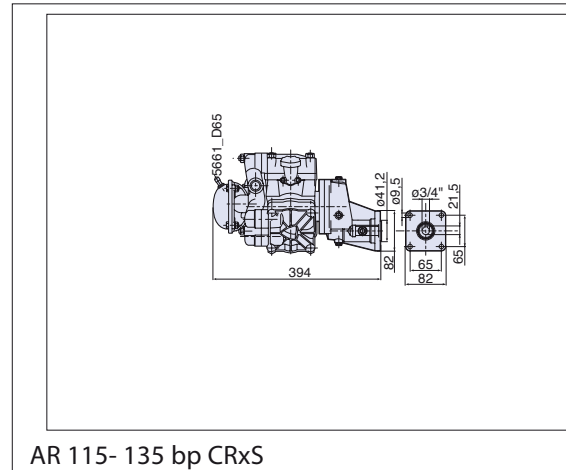




DIMENSIONS • DIMENSIONI 5661_D06

<p>AR 115 bp AR 135 bp</p>	<p>Pumps Pompe</p>
--------------------------------	------------------------

Please note: specifications are subject to change for improvement without notice.
© Apr 2007 by AnnoviReverberi spa



HONDA GX200



Engine Type	Air-cooled 4-stroke OHV
Bore x Stroke	68 X 54 mm
Displacement	196 cm³
Net Power Output*	5.5 HP (4.1 kW) @ 3,600 rpm
Net Torque	9.1 lb-ft (12.4 Nm) @ 2,500 rpm
PTO Shaft Rotation	Counterclockwise (from PTO shaft side)
Compression Ratio	8.5:1
Lamp/Charge coil options	25W, 50W / 1A, 3A, 7A
Carburetor	Butterfly
Ignition System	Transistorized magneto
Starting System	Recoil Starter
Lubrication System	Splash
Governor System	Mechanical
Air cleaner	Dual element
Oil Capacity	0.63 US qt (0.6l)
Fuel Tank Capacity	3.3 U.S. qts (3.1 liters)
Fuel	Unleaded 86 octane or higher
Dry Weight	35 lbs. (16.1 kg)

Dimensions

Length (min)	12.6" (321mm)
Width (min)	14.8" (376mm)
Height (min)	13.6" (346 mm)