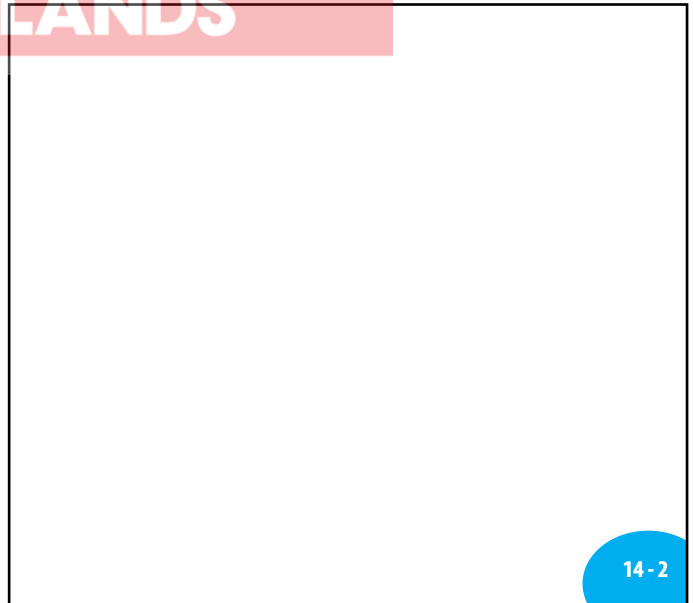
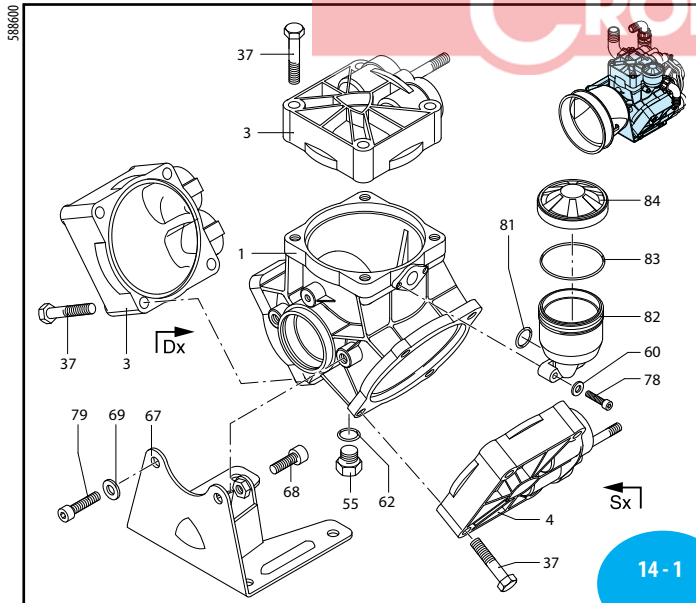
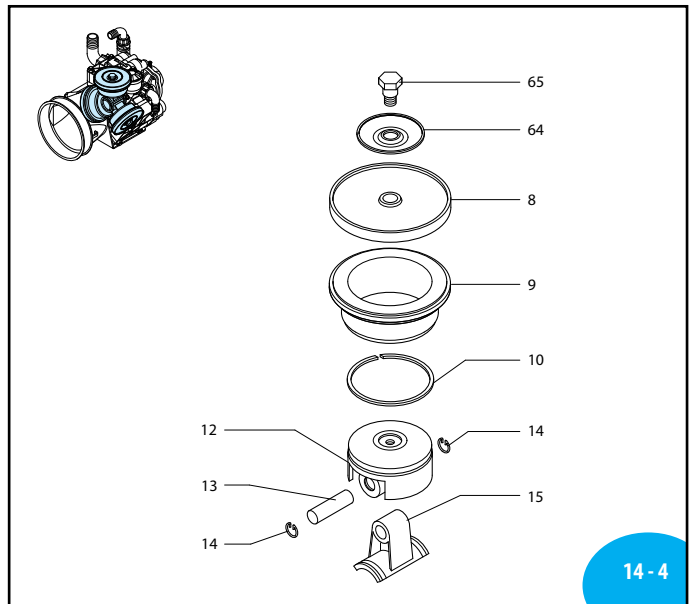
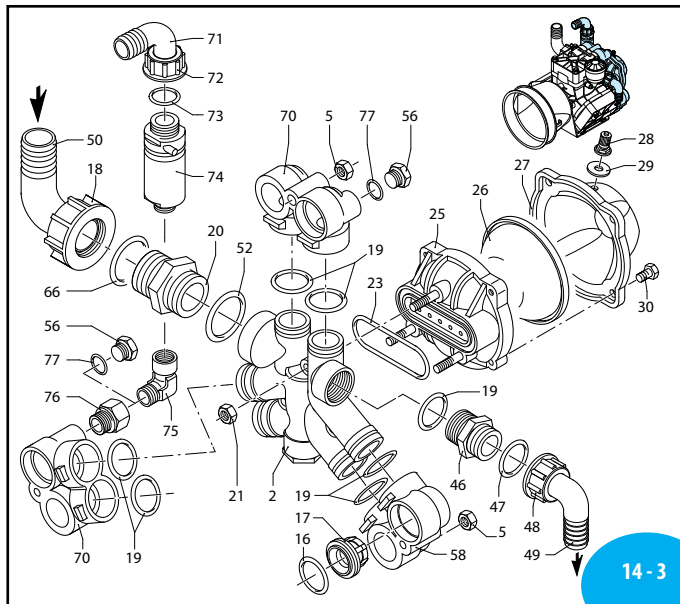


AR 115 bp - AR 135 bp - AR 115 bp/1000 giri-rpm

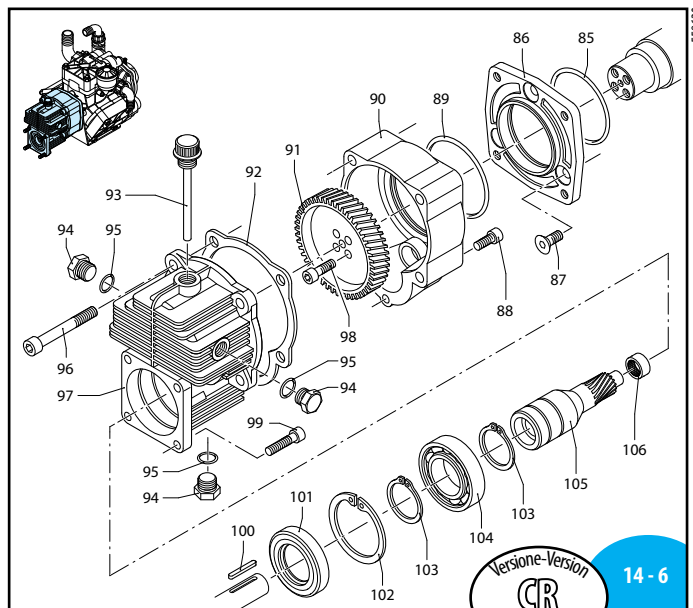
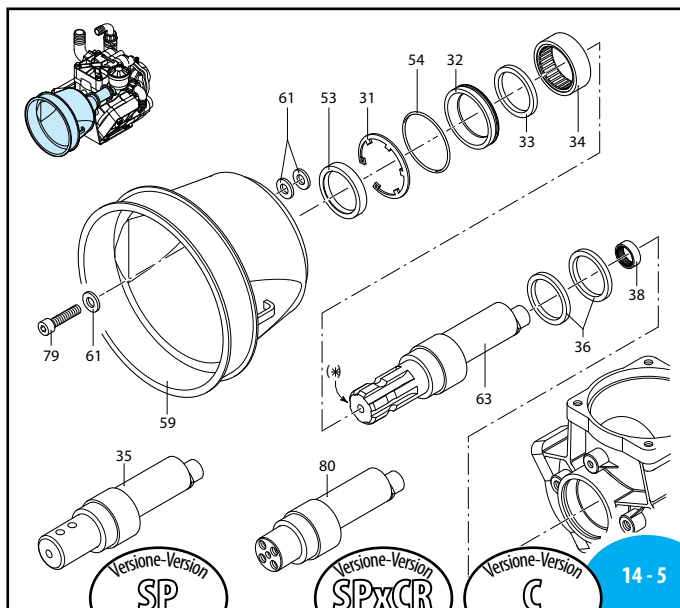


SL000061-EZ



SL000062-EZ

UN990004-IB



UN990002-IB

UN980017-IC

AR 115 bp - AR 135 bp - AR 115 bp/1000 giri-rpm

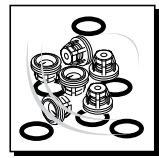
Pos.	Cod.	Descrizione	Description	Q.ty	Note
1	580013	Corpo pompa	Pump body	1	
2	580150	Condotto mand.- asp.	Manifold line	1	
3	550101	Testa valvola DX	Right head	2	
4	550102	Testa valvola SX	Left head	1	
5	180152	Dado M 10	Nut	3	Geomet C ₄₀
6	550080	Membrana	Diaphragm	3	Gomma
7	550084	Membrana	Diaphragm	3	Viton
8	550085	Membrana	Diaphragm	3	Desmopan
9	550086	Membrana	Diaphragm	3	H.P.D.S.
10	580110	Camicia	Sleeve	3	AR 115 bp
11	580350	Camicia	Sleeve	3	AR 135 bp
12	500260	Segmento	Piston ring	3	
13	580120	Pistone	Piston	3	
14	380300	Spinotto	Pin	3	☒
15	380080	Anellino spinotto	Pin ring	6	
16	580140	Biella	Connecting rod	3	
17	320030	OR ø 31,5x4,5	O-Ring	6	90 Sh ☒
18	759051	Valvola completa	Complete valve	6	
19	540541	Girello 1" 3/4 G spec.	Ring nut	1	
20	390291	OR ø 28,25x2,62	O-Ring	7	☒
21	540530	Nipples 1"1/4-1"3/4 G (M)	Threaded adapter	1	
22	390271	Dado M 8	Nut	3	Geomet C ₂₀
23	580050	Guarnizione	Gasket	1	☒
24	580180	Semisfera inferiore	Lower air chamber	1	
25	550190	Semicamera aria	Semi air chamber	1	Gomma
26	550191	Semicamera aria	Semi air chamber	1	Saturflon
27	550192	Semicamera aria	Semi air chamber	1	Viton
28	550193	Semicamera aria	Semi air chamber	1	H.P.D.S.
29	550233	Semisfera superiore	Upper air chamber	1	Nera / Black
30	550300	Valvola di gonfiaggio	Air-valve	1	C ₃
31	650542	Guarnizione	Gasket	1	
32	550680	Vite TE M 8x20	Bolt	4	C ₂₀
33	200391	Anello seeger	Circlip	1	
34	550470	Bussola anello tenuta	Gasket retainer	1	
35	550070	Rondella tenuta	Spacer ring	1	
36	550060	Boccola a rullini	Roller bushing	1	↓
37	550170	Albero eccentrico "SP"	"SP" shaft	1	AR 115 bp (AL)
38	580380	Albero eccentrico "SP"	"SP" shaft	1	AR 135 bp (AT)
39	580470	Anello biella	Con rod ring	2	☒
40	551040	Vite TE M 10x55	Bolt	12	Geomet C ₄₀
41	550310	Boccola a rullini	Roller bushing	1	↓
42	550340	Nipples 1"G(M)-1"G(M)	Threaded adapter	1	
43	550350	OR ø 23,81x2,62	O-Ring	1	☒
44	550242	Girello 1" G	Ring nut	1	
45	550370	Curva ø 25	Elbow	1	
46	540550	Curva ø 40	Elbow	1	
47	250310	OR ø 36,14x2,62	O-Ring	1	☒
48	550491	Anello tenuta	Seal ring	1	☒
49	650920	OR ø 53,65x2,62	O-Ring	1	☒
50	880530	Tappo 3/8" G	Plug	1	C ₂₀
51	330173	Tappo 1/2" G	Plug	2	Geomet C ₂₀
52	580072	Attacco asp. mand. SX	Left manifold coupling	1	

Pos.	Cod.	Descrizione	Description	Q.ty	Note
53	1500350	Protezione cardano	Cardan protection	1	
54	550332	Rosetta øi 6,5	Washer	2	Geomet
55	320621	Rosetta øi 10,5	Washer	5	Geomet
56	740290	OR ø 14x1,78	O-Ring	1	▶
57	550173	Albero eccentrico "C"	"C" shaft	1	AR 115 bp (AM)
58	580330	Albero eccentrico "C"	"C" shaft	1	AR 135 bp (AS)
59	580370	Piattello	Plate	3	
60	580360	Perno membrana	Diaphragm pin	3	● C ₂₀
61	250310	OR ø 36,14x2,62	O-Ring	1	☒
62	580080	Piede corpo pompa	Base	1	
63	540301	Vite TCEI M 10x30	Bolt	1	Geomet C ₄₀
64	200233	Rosetta øi 10,5	Washer	2	Geomet
65	580400	Attacco DX forato	Right man.coup.-outlet	2	
66	550460	Curva ø 18	Elbow	1	
67	550450	Girello 3/4" G	Ring nut	1	
68	880831	OR ø 15,54x2,62	O-Ring	1	Viton
69	1609000	Valvola di sicurezza	Safety valve	1	■ AR1432
70	881560	Gomito 90° 1/2"G (M)-(F)	Elbow	1	■
71	580421	Prolunga (M)-(F) 1/2"G	Extension	1	C ₂₀
72	180101	OR ø 17,5x2	O-Ring	2	▶
73	850851	Vite TCEI M 6x30	Bolt	2	Geomet C ₁₀
74	620472	Vite TCEI M 10x20	Bolt	3	Geomet C ₃₀
75	550175	Albero eccentric. "SPxCR"	"SPxCR" shaft	1	AR 115 bp (AN)
76	580430	Albero eccentric. "SPxCR"	"SPxCR" shaft	1	AR 135 bp (AX)
77	390180	OR ø 18,72x2,62	O-Ring	1	▶
78	1040310	Serbatoio olio	Oil tank	1	
79	650920	OR ø 53,65x2,62	O-Ring	1	
80	1040322	Tappo serbatoio nero	Black oil tank cap	1	AR 115 bp
81	1040320	Tappo serbatoio rosso	Red oil tank cap	1	AR 135 bp
82	580230	OR ø 69,52x2,62	O-Ring	1	
83	550920	Flangia	Flange	1	
84	550950	Vite TSEI M 10x25	Bolt	3	C ₂₀
85	180030	Vite TCEI M 8x20	Bolt	1	C ₂₅
86	620561	OR ø 78x2,5	O-Ring	1	☒
87	621000	Coperchio riduttore	Gear cap	1	
88	550930	Ruota dentata	Gear	1	Z= 64
89	620950	Guarnizione scatola	Gasket	1	
90	1140370	Tappo olio + OR	Oil plug & o-ring	1	
91	1980740	Tappo 3/8" G	Plug	3	Ottone/Brass ● C ₂₀
92	740290	OR ø 14x1,78	O-Ring	3	
93	621010	Vite TCEI M 10x75	Bolt	4	● C ₂₅
94	620960	Scatola riduttore	Gear box	1	
95	540290	Vite TCEI M 8x25	Bolt	4	● C ₂₅
96	651000	Vite TCEI 5/16"	Bolt	4	5/16"x24UNFx1"
97	881090	Linguetta	Key	1	
98	961800	Anello tenuta	Seal ring	1	☒
99	961790	Anello seeger	Circlip	1	
100	320240	Anello seeger	Circlip	2	
101	961780	Cuscinetto	Bearing	1	☒
102	621660	Pignone	Pinion	1	Z= 11
103	620990	Cuscinetto	Bearing	1	

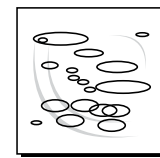
Bassa Pressione
Low Pressure



KIT 2367	
Membrane gomma Buna diaphragms	
KIT 2368	
Membrane HPDS HPDS diaphragms	
KIT 2369	
Membrane Desmopan Desmopan diaphragms	
Pos.	Q.ty
8	3



KIT 2370	
Valvole Valves	
Pos.	Q.ty
16	6
17	6



KIT 2026	
OR O-Rings	
Pos.	Q.ty
16	6
19	7
29	1
47	1
52	1
54	1
66	1
81	1
83	1



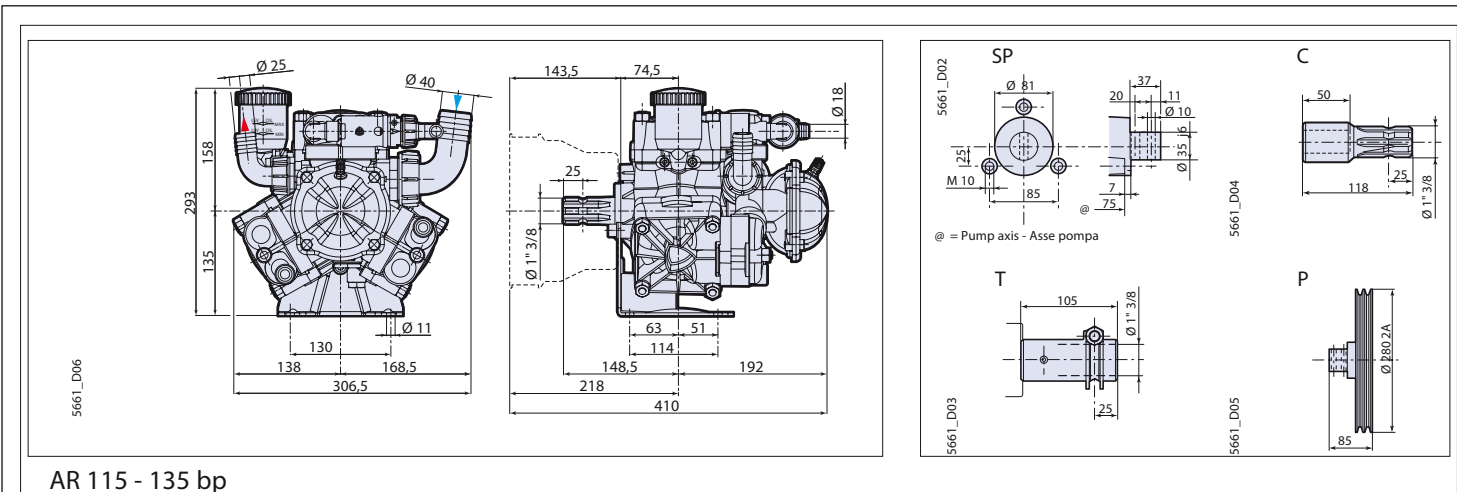
KIT 2025					
Pronto intervento Maintenance repair					
Pos.	Q.ty	Pos.	Q.ty	Pos.	Q.ty
8	3	46	1	81	1
16	6	47	1	82	1
17	6	48	1	83	1
18	1	49	1	84	1
19	7	50	1		
20	1	53	1		
23	1	54	1		
26	1	64	1		
29	1	65	1		



Olio utilizzato	
Used oil	
Tipo - Type	Kg
Pompa-Pump SAE 30	1
Ridut.- Gear box SAE 30	0,26

NOTE
SOME PARTS ARE NON-STOCK
ITEMS AND MAY NEED TO BE
ORDERED

NOTE
PLEASE ADD PREFIX **AR**
TO REFLECT CROPLANDS
PART NUMBER

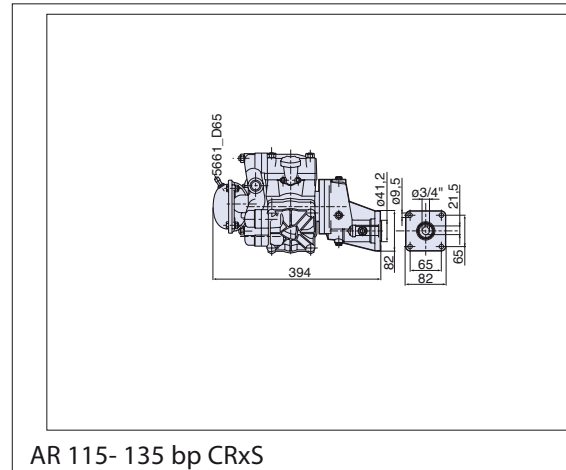


AR 115 - 135 bp

DIMENSIONS • DIMENSIONI

5661_D06

<p style="font-size: 24px; margin: 0;">AR 115 bp</p> <p style="font-size: 24px; margin: 0;">AR 135 bp</p>	<p style="font-size: 18px; margin: 0;">Pumps</p> <p style="font-size: 18px; margin: 0;">Pompe</p>
---	---



AR 115- 135 bp CRxS

Please note: specifications are subject to change for improvement without notice.
© Apr 2007 by AnnoviReverberi spa