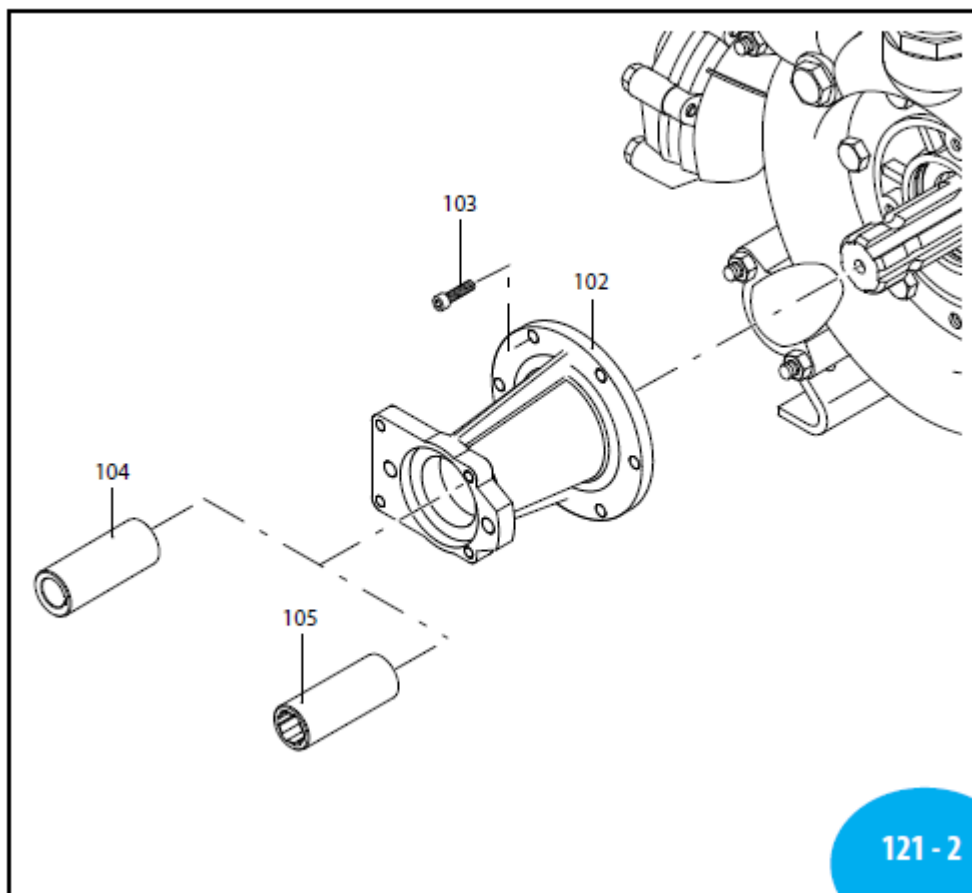


COD. 1568 - COD. 1569 - COD. 1570 - COD. 5349 - COD. 55371 KIT APPL. IDM



121 - 2

Pos.	Cod.	Descrizione	Description	Q.ty	Note
102	6258	Flangia	Flange	1	COD. 55371 C 40 ●
	760270	Flangia	Flange	1	COD.1568-1569-1570-5349 ▲
103	620320	Vite TCEI M 10x30	Bolt	6	COD. 55371 C 40 ●
	540310	Vite TCEI M 10x40	Bolt	6	COD.1568-1569-1570-5349 ▲
104	750530	Giunto	Joint	1	COD. 1568 ●
	750540	Giunto	Joint	1	COD. 1569 - 55371 ● ▲
	750600	Giunto	Joint	1	COD. 1570 ●
105	750690	Giunto	Joint	1	COD. 5349 ●

▲ Per pompe tipo - For pumps type :
 AR 125 bp - AR 145 bp - AR 160 bp - AR 185 bp
 AR 215 bp - AR 250 bp - AR 280 bp - AR 320 bp TWIN
 AR 370 bp TWIN - AR 500 bp TWIN - AR 560 bp TWIN
 Casappa - White hydraulics - Danfoss

● Per pompe tipo - For pumps type :
 AR 330 bp - AR 410 bp - AR 460 bp - Sauer Danfoss

NOTE

SOME PARTS ARE NON-STOCK ITEMS AND MAY NEED TO BE ORDERED

*Specifications subject to change without notice

NOTE

PLEASE ADD PREFIX **AR** TO REFLECT CROPLANDS PART NUMBER