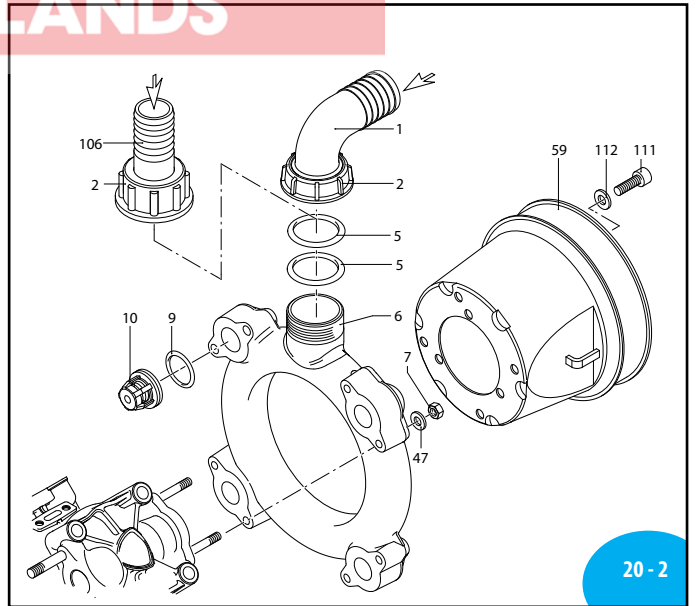


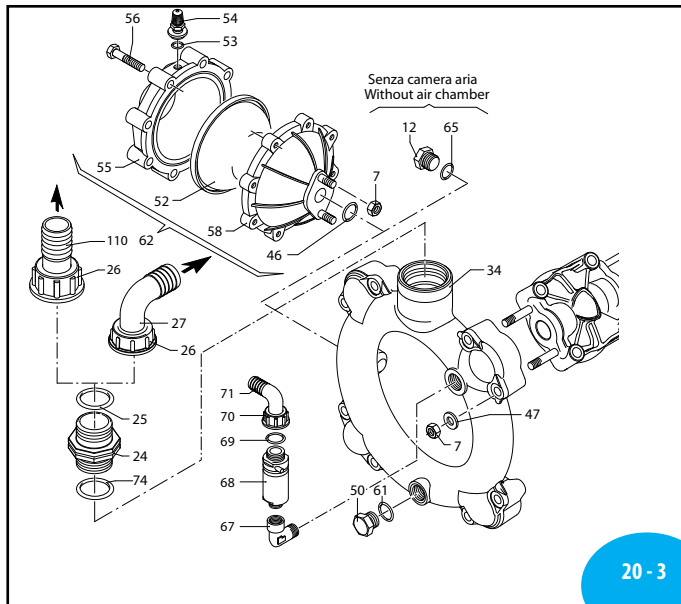
20 - 1

SLO0209-AU



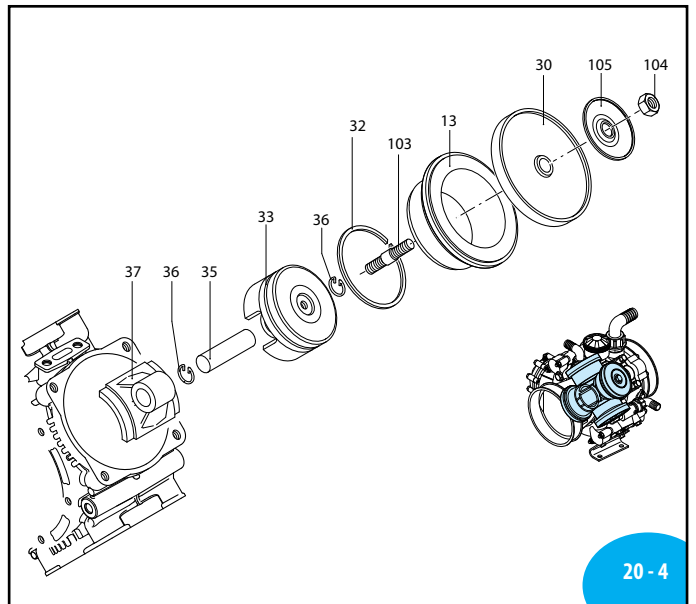
20 - 2

SLO00155-DV



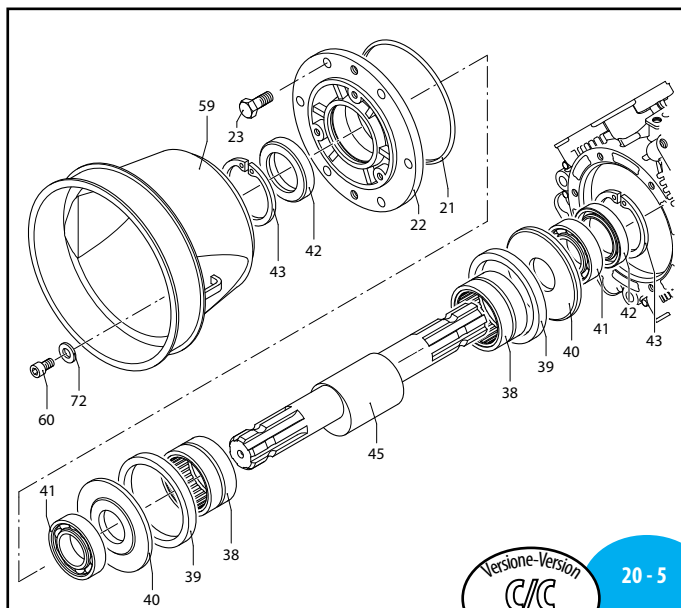
20 - 3

SLO00156-DV



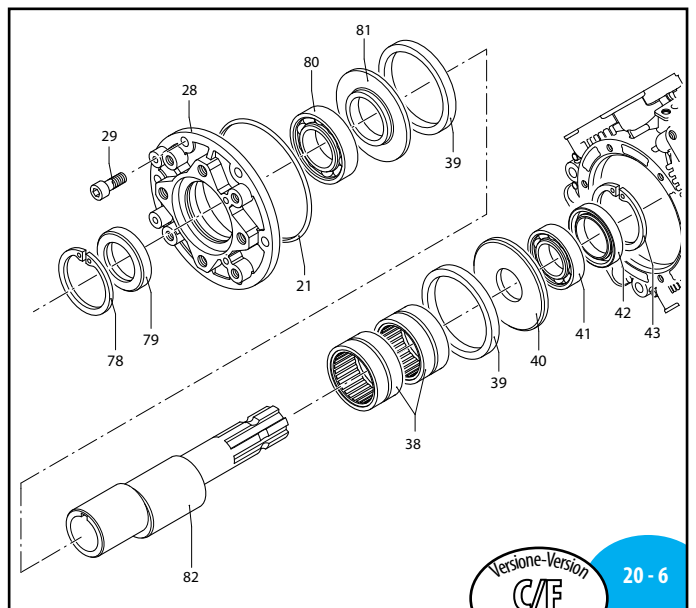
20 - 4

SLO00208-AU



20 - 5

UN000714-IB



20 - 6

UN000715-IB

AR 160 bp - AR 185 bp

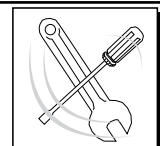
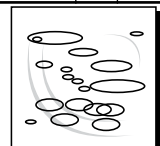
sp_ar160_185bp.pdf

Pos.	Cod.	Descrizione	Description	Q.ty	Note
1	3040430	Curva Ø 40	Elbow	1	AR 160 bp
	3040440	Curva Ø 50	Elbow	1	AR 185 bp
2	3040450	Girello 2" G	Ring nut	1	
5	3040470	Guarnizione OR Ø 39,3x2,6	O-ring	2	☒
6	760750	Condotto aspirazione	Line	1	
7	380242	Dado M8	Nut	18	Geomet C ₂₀
	380244	Dado M8	Nut	18	Inox C ₂₀
8	751350	Testa plastificata	Head	4	
	751352	Testa plastificata	Head	4	Inox
9	680070	Guarnizione OR Ø 31,5x4,25	O-ring	8	☒
10	759051	Valvola	Valve	8	
11	750071	Vite TE M12x70	Screw	4	Geomet C ₅₀
	750072	Vite TE M12x70	Screw	4	Inox C ₅₀
12	880530	Tappo 3/8" G	Plug	2	☒ C ₂₀
	2340350	Tappo 3/8" G	Plug	2	Inox ☒ C ₂₀
13	750110	Camicia	Sleeve	4	AR 160 bp
	750115	Camicia	Sleeve	4	AR 185 bp
14	750061	Vite TE M12x65	Screw	12	Geomet C ₅₀
	750062	Vite TE M12x65	Screw	12	Inox C ₅₀
15	680350	Vite TCEI M8x35	Screw	2	C ₁₀
16	1040060	Guarnizione OR Ø 72,69x2,62	O-ring	1	
17	750057	Tappo nero	Plug	1	AR 160 bp
	750052	Tappo rosso	Plug	1	AR 185 bp
18	750030	Serbatoio	Tank	1	
19	750040	Guarnizione	Gasket	1	☒
20	761010	Corpo pompa	Pump body	1	
21	851360	Guarnizione OR Ø 120,32x2,62	O-ring	1	☒
22	680020	Supporto	Support	1	☒
23	160672	Vite TE M10x25	Screw	6	Geomet C ₄₀ ☒
	160673	Vite TE M10x25	Screw	6	Inox C ₄₀ ☒
24	751130	Raccordo 1"1/2 G M-M	Fitting	1	
25	390290	Guarnizione OR Ø 29x3	O-ring	1	☒
26	750670	Girello 1" 1/2 G	Ring nut	1	
27	760930	Curva Ø 25	Elbow	1	AR 160 bp
	3040160	Curva Ø 35	Elbow	1	AR 185 bp
28	2420181	Supporto	Support	1	☒
29	650640	Vite TCEI M10x25	Screw	6	Geomet C ₄₀
	650642	Vite TCEI M10x25	Screw	6	Inox C ₄₀
30	550080	Membrana	Diaphragm	4	NBR
	550084	Membrana	Diaphragm	4	Viton
	550085	Membrana	Diaphragm	4	Desmopan
	550086	Membrana	Diaphragm	4	HPDS
32	500260	Segmento	Piston ring	4	
33	750122	Pistone Ø 80	Piston	4	
34	760760	Condotto mandata	Line	1	
35	160700	Spina	Pin	4	☒
36	160691	Anello seeger Øi 18	Ring	8	
37	760140	Biella	Connecting-rod	4	
38	750090	Cuscinetto	Bearing	2	
39	750130	Anello biella	Ring	2	☒
40	540040	Piastra	Plate	2	
41	230350	Cuscinetto	Bearing	2	↓
42	160740	Anello tenuta	Ring	2	☒
43	200390	Anello seeger Øi 62	Ring	2	
44	760201	Piede	Foot	2	
45	750170	Albero C/C m-AU	Shaft	1	AR 160 bp
	750174	Albero C/C m-AV	Shaft	1	AR 185 bp
46	390290	Guarnizione OR Ø 29x3	O-ring	1	☒

Pos.	Cod.	Descrizione	Description	Q.ty	Note
47	380243	Rondella	Washer	18	Geomet
	390315	Rondella	Washer	18	Inox
48	250143	Rondella	Washer	4	Geomet
	250144	Rondella	Washer	4	Inox
50	330173	Tappo 1/2" G	Plug	1	Geomet ☒ C ₂₀
	330174	Tappo 1/2" G	Plug	1	Inox ☒ C ₂₀
52	550190	Semicamera aria	Semi air chamber	1	NBR
	550191	Semicamera aria	Semi air chamber	1	Saturflon
	550192	Semicamera aria	Semi air chamber	1	Viton
	550193	Semicamera aria	Semi air chamber	1	HPDS
53	650542	Guarnizione	Gasket	1	
54	180020	Valvola di gonfiaggio	Air valve	1	C ₃
55	620232	Semicamera aria superiore	Semi air chamber	1	Nera
56	621781	Vite TE M8x40	Screw	8	Geomet C ₂₀
	621782	Vite TE M8x40	Screw	8	Inox C ₂₀
58	680180	Semisfera inferiore	Halfball	1	
59	1500470	Protezione cardano	Cardan protection	2	
60	850251	Vite TCEI M8x12	Screw	3	Geomet C ₂₀
	850252	Vite TCEI M8x12	Screw	3	Inox C ₂₀
61	180101	Guarnizione OR Ø 17,5x2	O-ring	1	
62	1552	Camera aria completa	Air chamber	1	
65	740290	Guarnizione OR Ø 14x1,78	O-ring	2	
67	881560	Raccordo 1/2" G M-F	Fitting	1	☒
68	1609000	Valvola di sicurezza	Safety valve	1	☒
69	880831	Guarnizione OR Ø 15,54x2,62	O-ring	1	Viton
70	550450	Girello 3/4" G	Ring nut	1	
71	550460	Curva Ø 18	Elbow	1	
72	390314	Rondella	Washer	3	Geomet
	390315	Rondella	Washer	3	Inox
74	751140	Guarnizione OR Ø 47,22x3,53	O-ring	1	☒
78	620330	Anello seeger Øi 65	Ring	1	
79	1800090	Anello tenuta	Ring	1	☒
80	230310	Cuscinetto	Bearing	1	↓
81	760510	Piastra	Plate	1	
82	760450	Albero C/F Ø25 m-BX	Shaft	1	AR 160 bp
	760520	Albero C/F Ø32 m-BX	Shaft	1	AR 160 bp
	760460	Albero C/F Ø25 m-BZ	Shaft	1	AR 185 bp
	760530	Albero C/F Ø32 m-BT	Shaft	1	AR 185 bp
103	2240100	Perno	Hub pin	4	☒ C ₃₅
104	2240110	Dado	Nut	4	Inox ☒ C ₃₀
105	751250	Piattello	Wobble plate	4	
106	760950	Portagomma Ø 40	Hose tail	1	AR 160 bp
	760570	Portagomma Ø 50	Hose tail	1	AR 185 bp
110	760920	Portagomma Ø 25	Hose tail	1	AR 160 bp
	760940	Portagomma Ø 35	Hose tail	1	AR 185 bp
111	820673	Vite TCEI M10x16	Screw	3	Geomet
	820672	Vite TCEI M10x16	Screw	3	Inox
112	320621	Rondella	Washer	3	Geomet
	320622	Rondella 10.5x21x2	Washer	3	Inox
113	761030	Piede	Foot	2	
114	160672	Vite TE M10x25	Screw	6	Geomet ☒ C ₂₀
	160673	Vite TE M10x25	Screw	6	Inox ☒ C ₂₀
115	1040491	Raccordo 3/8" M-F	Fitting	1	☒
116	900210	Raccordo 3/8" G M-F	Fitting	1	☒
117	2260200	Rondella	Washer	1	
118	2281270	Tappo 3/8" G	Plug	1	☒ C ₂₀

Bassa Pressione
Low Pressure

Nuove test. C.I. 0478MG



KIT 2371	
Membrane gomma Buna diaphragms	
KIT 2372	
Membrane HPDS HPDS diaphragms	
KIT 2373	
Membrane Desmopan Desmopan diaphragms	
Pos.	Q.ty
30	4

KIT 2374	
Valvole Valves	
Pos.	Q.ty
9	8
10	8

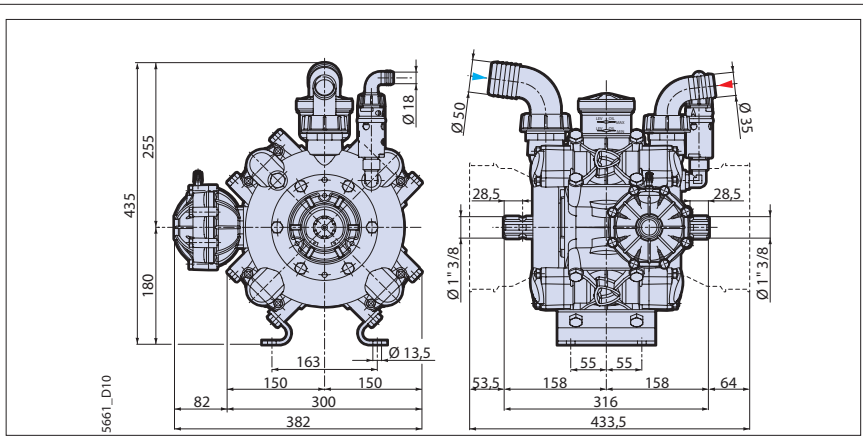
KIT 42510			
OR O-Rings			
Pos.	Q.ty	Pos.	Q.ty
5	2	69	1
9	8	74	1
16	1		
21	1		
25	1		
46	1		
53	1		
61	1		
65	2		

KIT 42511 - AR 160 bp					
KIT 42512 - AR 185 bp					
Pronto intervento Maintenance repair					
Pos.	Q.ty	Pos.	Q.ty	Pos.	Q.ty
1	1	21	1	61	1
2	1	24	1	65	2
5	2	25	1	69	1
9	8	26	1	74	1
10	8	27	1	103	4
16	1	30	4	104	4
17	1	42	2	105	4
18	1	46	1		
19	1	52	1		

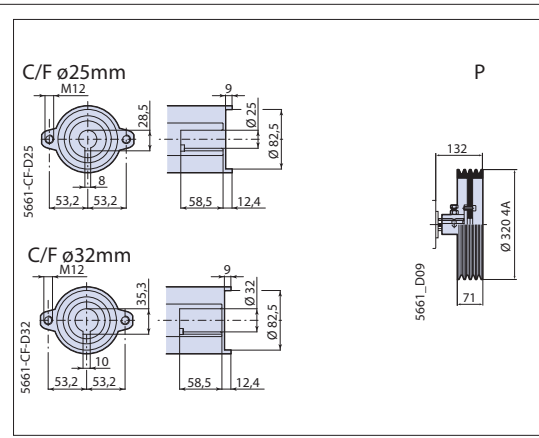
Olio utilizzato	
Used oil	
Tipo - Type	Kg
SAE 30	1,4

NOTE
SOME PARTS ARE NON-STOCK ITEMS AND MAY NEED TO BE ORDERED

NOTE
PLEASE ADD PREFIX GB TO REFLECT CROPLANDS PART NUMBER



AR 185 bp



DIMENSIONS • DIMENSIONI 5661_D10

<h1>AR 185 bp</h1>	<p>Pumps Pompe</p>
--------------------	------------------------

Please note: specifications are subject to change for improvement without notice.
© Apr 2007 by AnnoviReverberi spa