

CROPLANDS PART NUMBER: AR245LFP-CF32

Description

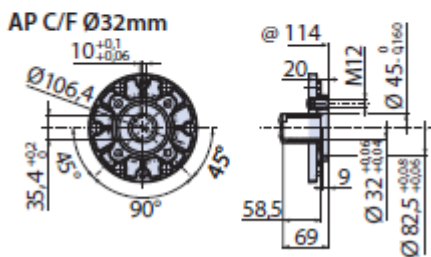
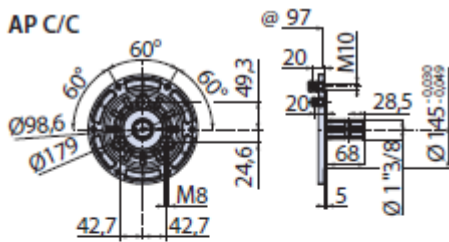
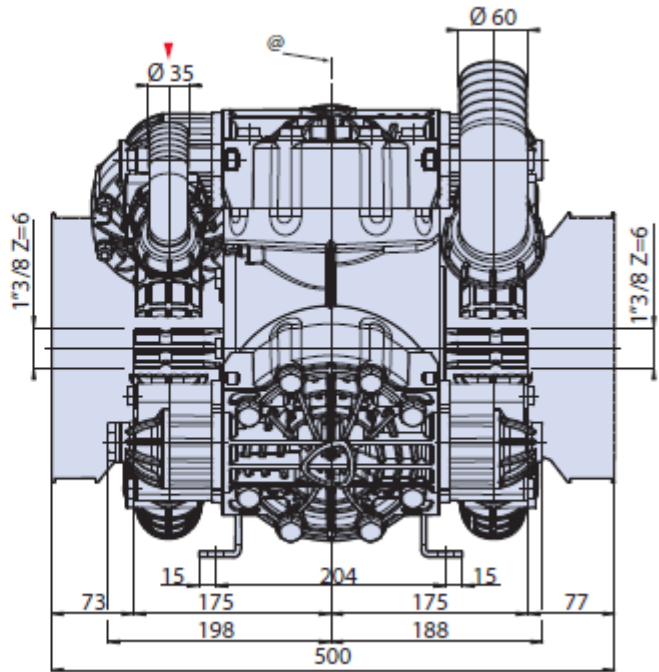
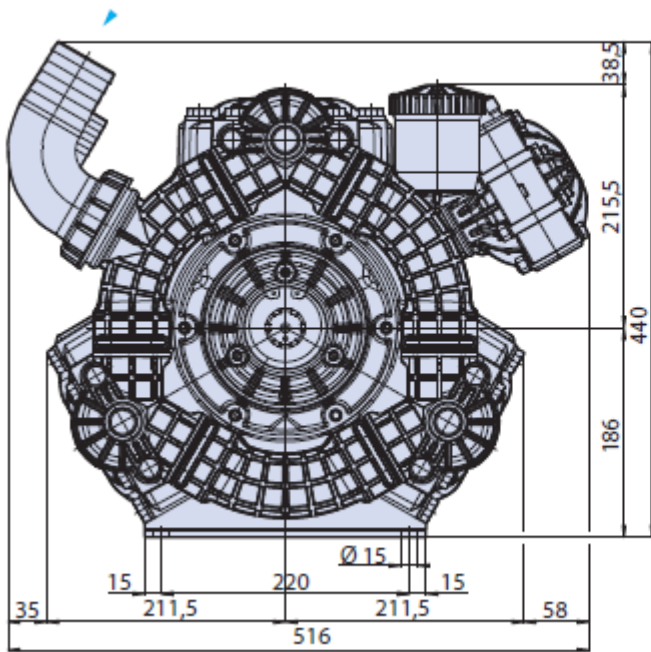
Semi-hydraulic three-diaphragm pump, for use with aggressive products in low pressure systems.

Parts in contact with pumped liquids in reinforced Nylon, Kynar and AISI316L. Diaphragms in BlueFlex™. Seals in Viton®.

Fitted with air-hydraulic damper for smoother operation and less hammer effect in the delivery circuit. Die-cast casing with oil-immersed mechanism and clear plastic tank for visual level checking. Remote oil tank installation kit available on request. Oil drainage stopper. Pistons with ring for a more efficient "oil cushion" system to protect the diaphragm. New-design diaphragm cut-out system to prevent contact tearing even in heavy-duty operating conditions. Spherical sector profile valves for lower flow resistance and improved volumetric efficiency. Rugged feet secured to pump casing. AISI 304 stainless steel finish metal fasteners. Stopper for drainage of liquid from the circuit before storage over winter. Complete with drive shaft guard.



Details	Value
ARCode	31457
Category	Low Pressure
Product	AR 245 LFP
Version	LFP C/F ø 32
Number of diaph	3
Delivery (l/min)	242,6
Delivery (gpm)	64
Pressure (bar)	15
Pressure (psi)	218
Power (hp)	9
RPM	550
Weight (kg)	45
Dimensions (mm) L	500
Dimensions (mm) H	440
Dimensions (mm) W	516
Suction (mm)	ø 60
Outlet (mm)	ø 35
Temperature Max °C	60



Olio utilizzato
Suggested oil

Tipo - Type

Kg

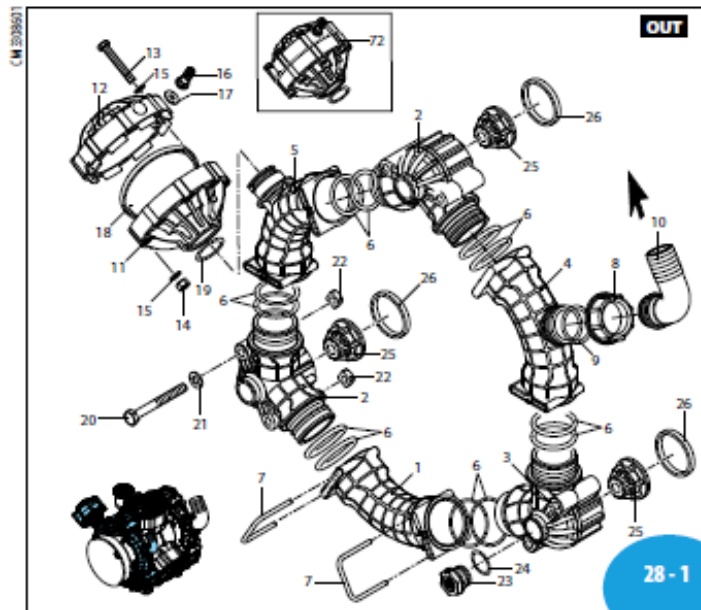
SAE 30

2,3

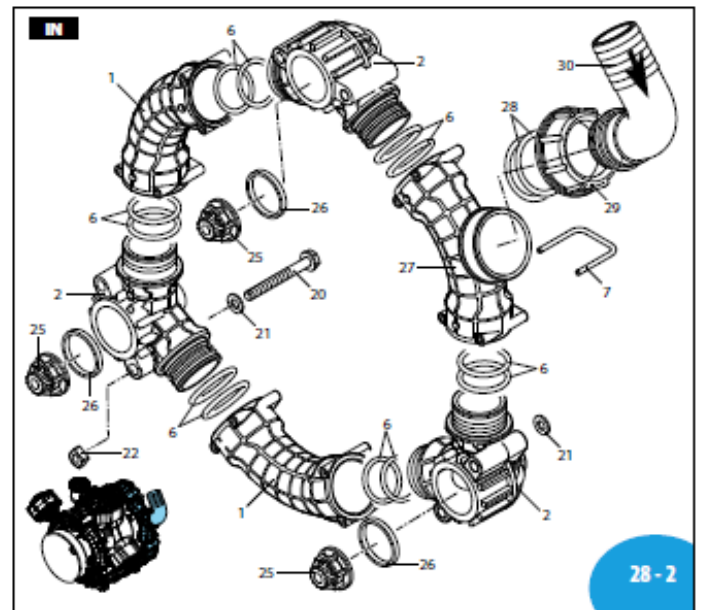


2154700 Targa camera
aria /Plate air chamber

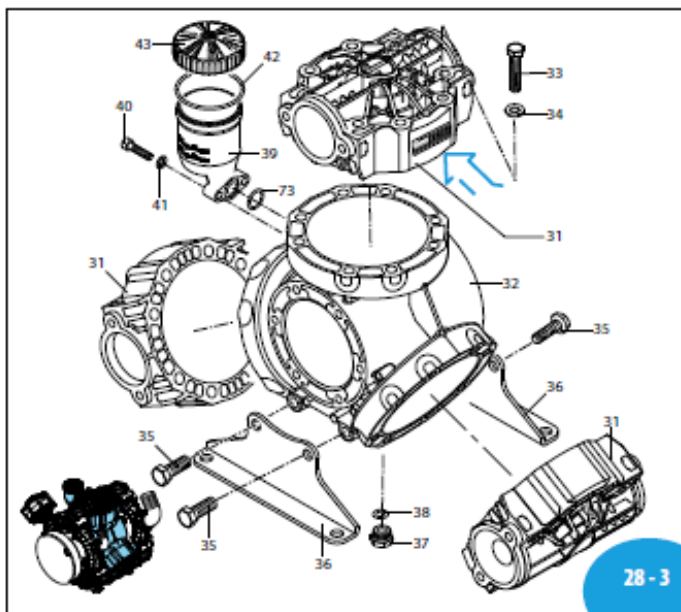
Service and Parts advice



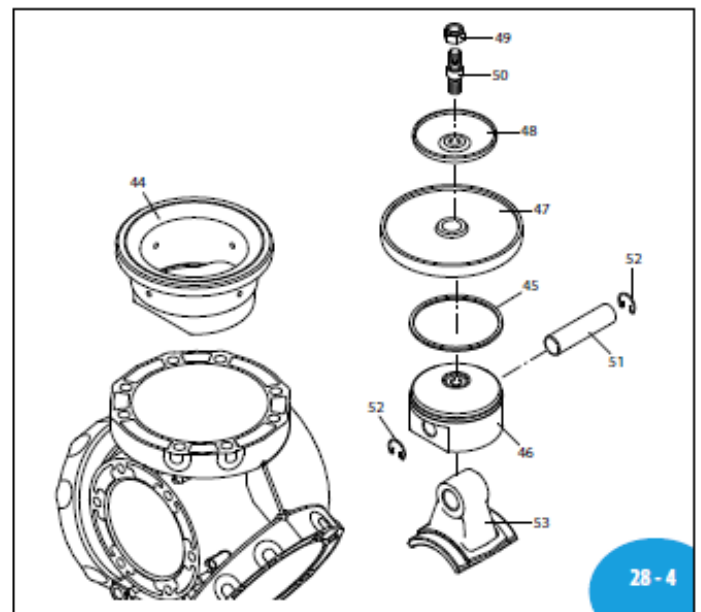
SL000378-HN



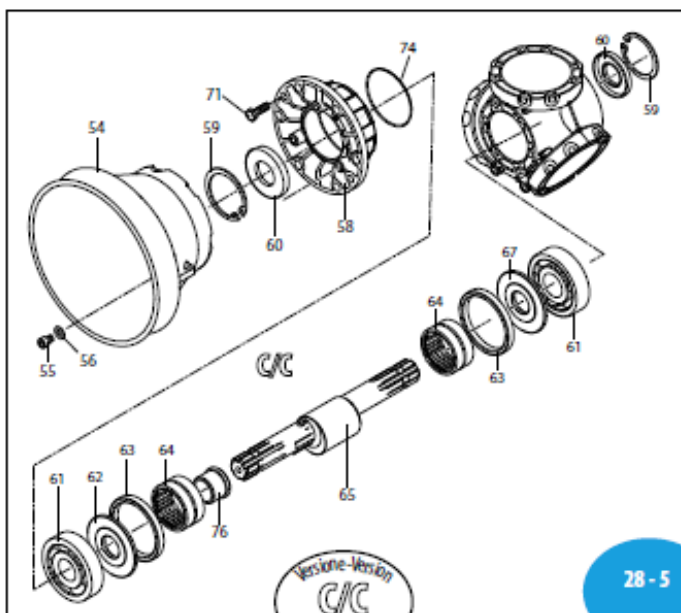
SL000379-HN



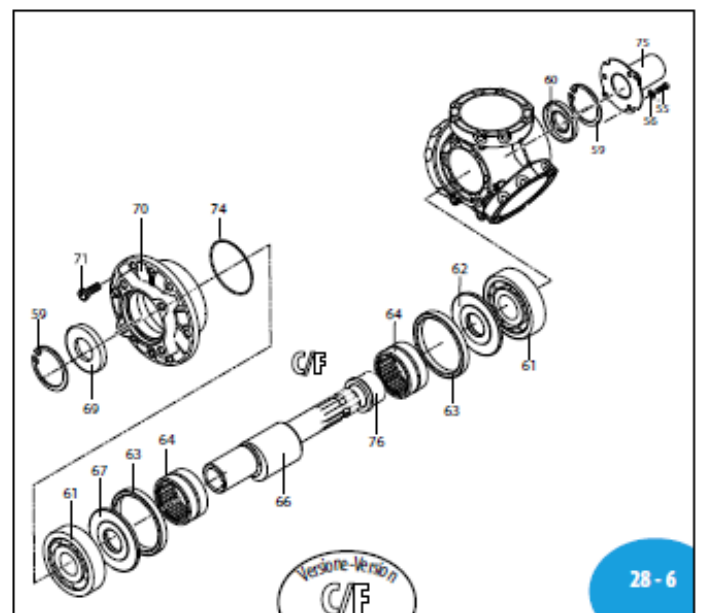
SL000380-HN



SL000381-HN



SL000382-HN



AR000383-HN

MI 92820

Service and Parts advice

Pos	Cod.	Descrizione	Description	Qty	Note
1	3300050	Condotto	Line	3	
2	3300040	Condotto	Line	5	
3	3300041	Condotto	Line	1	
4	3300070	Condotto	Line	1	
5	3300090	Condotto	Line	1	
6	751141	Guarnizione OR Ø 47,22x3,53	O-ring	24	☐
7	3300080	Forcella	Fork	12	
8	750670	Girello 1" 1/2 G	Ring nut	1	
9	1880460	Guarnizione OR Ø 29x3	O-ring	1	Viton ▶
10	3040160	Curva Ø 35	Elbow	1	
11	3300110	Semicamera aria inferiore	Semi air chamber	1	
12	3300120	Semicamera aria superiore	Semi air chamber	1	
13	3120270	Vite TE M8x65	Screw	8	Inox C ₂₀
14	380244	Dado M8	Nut	8	Inox C ₂₀
15	390315	Rondella	Washer	16	Inox
16	180020	Valvola di gonfiaggio	Air valve	1	C ₃
17	650542	Guarnizione	Gasket	1	
18	550194	Membrana camera aria Øe 110	Diaphragm	1	Blueflex™
19	280221	Guarnizione OR Ø 29,75x3,53	O-ring	1	Viton ☒
20	3040611	Vite TE M10x90	Screw	12	Inox C ₂₀
21	320622	Rondella	Washer	12	Inox
22	3040620	Dado quadro M10	Nut	12	Inox C ₂₀
23	3040370	Tappo 3/4" G	Plug	1	C ₂₀
24	1540631	Guarnizione OR Ø 23,47x2,62	O-ring	1	Viton ☒
25	3049051	Valvola	Valve	6	
26	3040650	Guarnizione	Gasket	6	Viton ☐
27	3300060	Condotto	Line	1	
28	750741	Guarnizione OR Ø 56,74x3,53	O-ring	2	Viton ▶
29	750710	Girello 2" 1/2 G	Ring nut	1	
30	750720	Curva Ø 60	Elbow	1	
31	3040600	Testa in plastica	Head	3	
32	3300010	Corpo pompa	Pump body	1	
33	3040301	Vite TE M12x85	Screw	24	Inox ○ C ₂₅
34	390092	Rondella	Washer	24	Inox
35	3300150	Vite TE M12x35	Screw	4	Inox ○ C ₅₀
36	3300030	Piede	Foot	2	
37	820361	Tappo 1/2" G ottone	Plug	1	C ₂₀
38	180101	Guarnizione OR Ø 17,5x2	O-ring	1	▶
39	680031	Serbatoio	Tank	1	
40	680351	Vite TCEI M8x35	Screw	2	Inox ○ C ₁₀
41	380245	Rondella	Washer	2	Inox
42	1040060	Guarnizione OR Ø 72,69x2,62	O-ring	1	▶
43	1800060	Tappo nero	Plug	1	AR 245 LFP
44	750050	Tappo rosso	Plug	1	AR 275 LFP
	3300130	Camicia	Sleeve	3	AR 245 LFP
	3300100	Camicia	Sleeve	3	AR 275 LFP

Pos	Cod.	Descrizione	Description	Qty	Note
45	3040110	Segmento	Piston ring	3	
46	3040100	Pistone Ø 100	Piston	3	
47	3040083	Membrana Øe 145	Diaphragm	3	BlueFlex™
48	3040820	Disco	Plate	3	
49	3040830	Dado M12	Nut	3	AlSI 316L - C ₃₀
50	3040810	Perno	Hub pin	3	AlSI 316L - C ₃₅
51	540070	Spina	Pin	3	▶
52	160691	Anello seeger Øi 18	Ring	6	
53	3300020	Biella	Connecting-rod	3	
54	1500470	Protezione cardano	Cardan protection	1	
55	850252	Vite TCEI M8x12	Screw	3	Inox ○ C ₁₀
56	390315	Rondella	Washer	5	Inox
58	3040021	Flangia	Flange	1	
59	161050	Anello seeger Øi 72	Ring	2	sp.2,5
60	2680120	Anello tenuta	Ring	2	☒
61	2240380	Cuscinetto	Bearing	2	↓ ☒
62	3300190	Piastra	Plate	1	
63	850130	Anello biella	Ring	2	
64	850320	Cuscinetto	Bearing	2	▶
65	3300210	Albero marcato FN	Shaft	1	AR245LFP C/C
65	3300180	Albero marcato FM	Shaft	1	AR275LFP C/C
66	3280120	Albero marcato DS	Shaft	1	AR245LFP C/F
66	3280180	Albero marcato ES	Shaft	1	AR275LFP C/F
67	3040360	Piastra	Plate	1	
69	2680130	Anello tenuta	Ring	1	☒
70	3040321	Flangia	Flange	1	
71	450262	Vite TE M10x35	Screw	6	Inox C ₂₀
72	42991	Camera aria	Air chamber	1	
73	390180	Guarnizione OR Ø 18,72x2,62	O-ring	1	▶
74	1800160	Guarnizione OR Ø 113,97x2,62	O-ring	1	⊖
75	760360	Protezione	Guard	1	
76	3300200	Boccola	Bushing	1	

Service and Parts advice