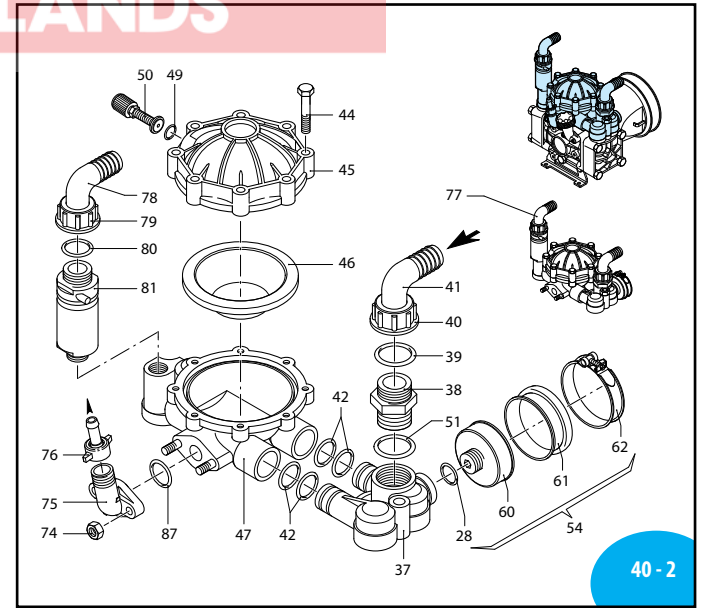


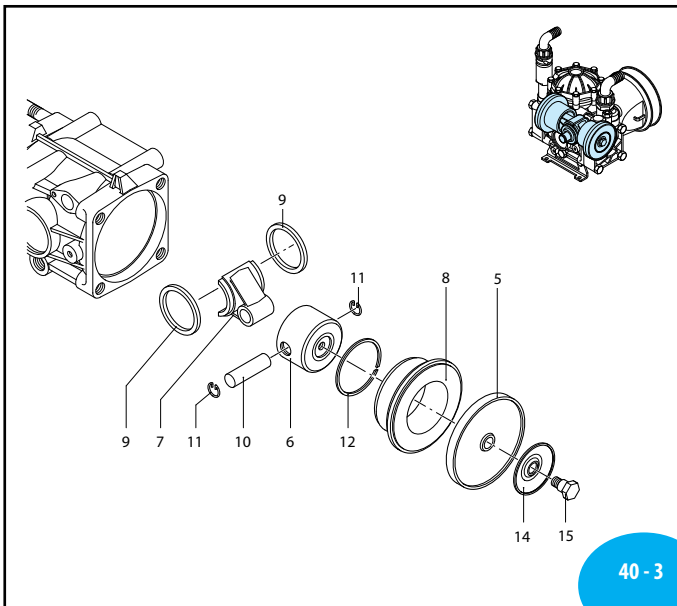
40 - 1

UN000352-DD



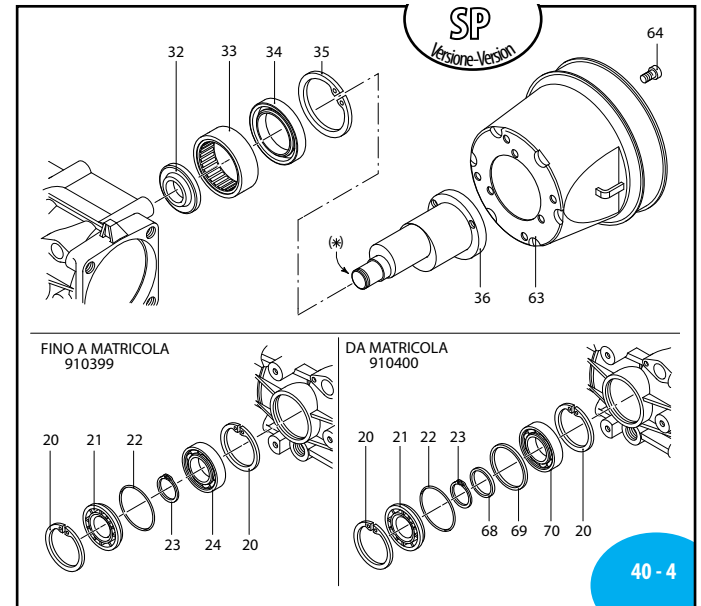
40 - 2

UN000353-DD



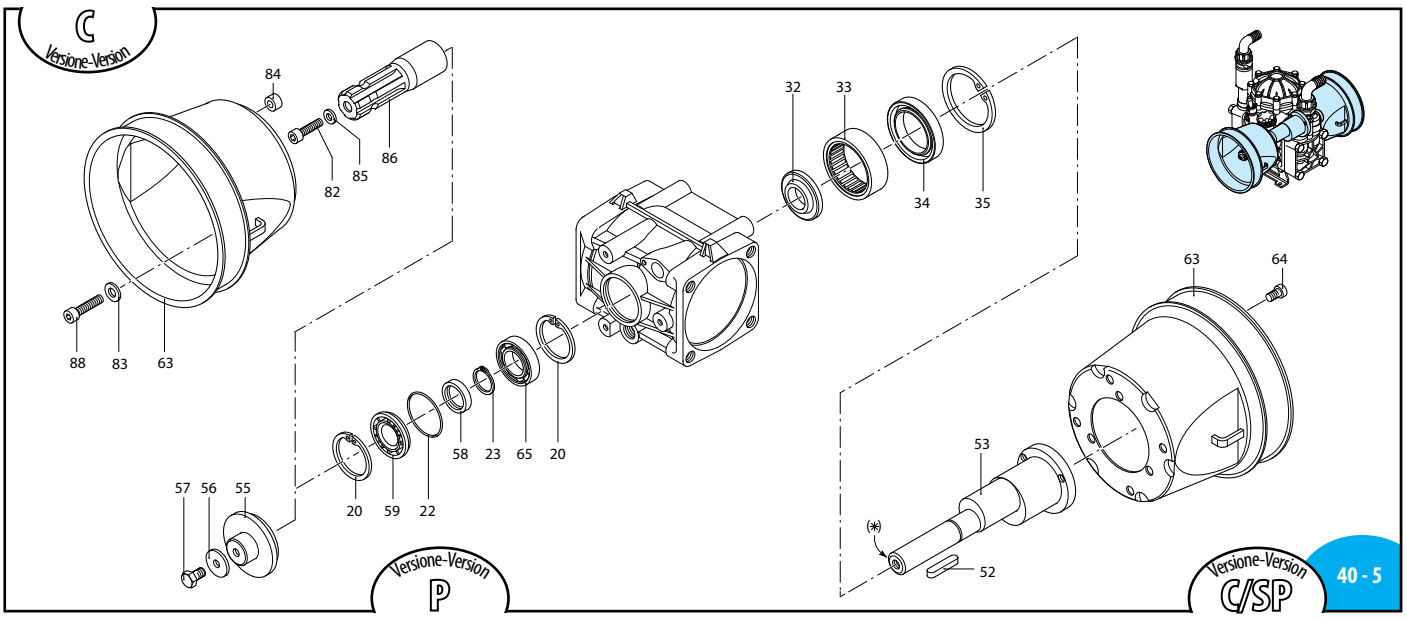
40 - 3

UN000354-DD



40 - 4

UN000355-LE



40 - 5

UN000356-DD

# AR 30

Pos.	Cod.	Descrizione	Description	Q.ty	Note
1	620011	Corpo pompa	Pump body	1	
2	620101	Testa DX	Right head	1	
3	620102	Testa SX	Left head	1	
4	621430	Vite TE M 12x55	Bolt	8	C <sub>50</sub>
	620080	Membrana	Diaphragm	2	Gomma
	620081	Membrana	Diaphragm	2	Viton
	620085	Membrana	Diaphragm	2	Desmopan
6	620120	Pistone	Piston	2	
7	620140	Biella	Connecting rod	2	
8	620110	Camicia	Sleeve	2	
9	580470	Anello biella	Con rod pin	2	
10	380300	Spinotto	Piston pin	2	
11	380080	Anellino spinotto	Pin ring	4	
12	160230	Segmento	Piston ring	2	
14	1040180	Piastra di richiamo	Plate	2	
15	580360	Perno membrana	Diaphragm pin	2	○ C <sub>20</sub>
16	180150	Dado M 10	Nut	2	
10	620030	OR ø 25,80x3,53	O-Ring	4	▶
10	620031	OR ø 25,80x3,53	O-Ring	4	Viton
19	629050	Valvola completa	Complete valve	4	
20	111120	Anello seeger	Circlip	2	
21	620020	Coperchietto chiuso	Cover	1	
22	620210	OR ø 40,95x2,62	O-Ring	1	▶
23	620291	Anello seeger	Circlip	1	
24	620191	Cuscinetto	Bearing	1	
25	850850	Vite TCEI M 6x30	Bolt	2	C <sub>10</sub>
26	550331	Rosetta øi 6,5	Washer	2	
28	180101	OR ø 17,5x2	O-Ring	2	▶
29	550030	Serbatoio olio	Oil tank	1	
30	550040	OR ø 26,65x2,62	O-Ring	1	▶
31	550050	Tappo serbatoio olio	Oil tank cap	1	
32	620160	Distanziale	Spacer	1	
33	550060	Boccola a rullini	Roller bushing	1	
34	620130	Anello tenuta	Seal ring	1	▶
35	620330	Anello seeger	Circlip	1	
36	620170	Albero eccentrico "SP"	"SP" shaft	1	(N)
37	620150	Attacco aspirazione	Suction manifold	1	
38	550340	Niples 1"G(M)-1"G(M)	Threaded adapter	1	
39	550350	OR ø 23,81x2,62	O-Ring	1	▶
40	550242	Girello 1"G	Ring nut	1	
41	550370	Curva ø 25	Elbow	1	
42	390060	OR ø 20,63x2,62	O-Ring	4	▶
44	621780	Vite TE M 8x40	Bolt	8	C <sub>20</sub>
45	620230	Semisfera superiore	Upper air chamber	1	
	550190	Semicamera aria	Semi air chamber	1	Gomma
	550191	Semicamera aria	Semi air chamber	1	Saturflon
	550192	Semicamera aria	Semi air chamber	1	Viton
46	620180	Semicamera inf.	Lower air chamber	1	

Pos.	Cod.	Descrizione	Description	Q.ty	Note
47	629209	Semicamera inf.compl.	Compl.lower air chamb.	1	Vedi / See ●
49	650542	Guarnizione	Gasket	1	▶
50	180020	Valvola di gonfiaggio	Air valve	1	
51	390290	OR ø 29x3	O-Ring	1	▶
52	620680	Linguetta	Key	1	Per / For 620172
	620172	Albero passante "C/SP"	Through-shaft "C/SP"	1	ø 20 mm (P)
	620174	Albero passante "C/SP"	Through-shaft "C/SP"	1	ø 3/4" (R)
54	659209	Prem. membranina asp.	Suct. diaphragm assembly	1	
55	620661	Flangia	Flange	1	
56	620670	Rosetta øi 8,5	Washer	1	
57	180370	Vite TE M 8x25	Bolt	1	C <sub>20</sub>
58	620630	Anello tenuta	Seal ring	1	
59	620021	Coperchietto passante	Cover	1	
60	650660	Porta membrana	Diaphragm holder	1	■
61	650670	Membranina asp.	Suction diaphragm	1	
62	651670	Fascetta	Clamp	1	
63	1500350	Protezione cardano	Cardan protection	1	
64	820670	Vite TCEI M 10x16	Bolt	4	C <sub>10</sub>
65	620190	Cuscinetto	Bearing	1	
66	880530	Tappo 3/8" G	Plug	1	C <sub>20</sub>
67	740290	OR ø 14x1,78	O-Ring	1	▶
68	620930	Distanziale cuscinetto	Spacer	1	
69	620940	Distanziale cuscinetto	Spacer	1	
70	380230	Cuscinetto	Bearing	1	
71	380210	Vite TE M 8x75	Bolt	2	C <sub>30</sub>
72	380240	Dado M 8	Nut	2	
73	380200	Piede	Base	2	
74	390270	Dado M 8	Nut	2	C <sub>20</sub>
75	450145	Flangia raccordo	Flange	1	
76	110130	Racc.1/2"G+tub. ø13	Fitting 1/2"G+hose ø13	1	
77	1522	Camera aria completa	Complete air chamber	1	
78	550460	Curva ø 18	Elbow	1	
79	550450	Girello 3/4" G	Ring nut	1	
80	880831	OR ø 15,54x2,62	O-Ring	1	Viton ▶
81	1609001	Valvola di sicurezza	Safety valve	1	●
82	680350	Vite TCEI M 8x35	Bolt	1	C <sub>20</sub>
83	380241	Rosetta øi 8,5	Washer	3	
84	1200521	Distanziale	Spacer	3	
85	961340	Rosetta øi 8,5	Washer	1	
86	621370	Giunto	Universal joint	1	Per / For 620172
87	550350	OR ø 23,81x2,62	O-Ring	1	☒
88	680350	Vite TCEI M 8x35	Bolt	3	C <sub>10</sub>

● Completa di tappo ed or per versioni senza valvola di sicurezza.  
With plug and o-ring for version without safety valve.

Media Pressione  
Medium Pressure

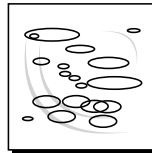
CI 0455JMG



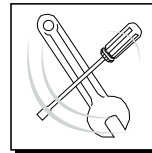
KIT 1930 Membrane gomma Buna diaphragms	
Pos.	Q.ty
5	
2	



KIT 1917 Valvole Valves	
Pos.	Q.ty
18	4
19	4



KIT 1916 OR O-Rings	
Pos.	Q.ty
18	4
22	1
28	2
39	2
42	4
49	1
51	1
67	1



KIT 1915 Pronto intervento Maintenance repair					
Pos.	Q.ty	Pos.	Q.ty	Pos.	Q.ty
5	2	40	1		
13	1	41	1		
14	1	42	4		
15	1	46	1		
18	4	49	1		
19	4	51	1		
22	1	61	1		
28	2	67	1		
29	1				
39	2				



Olio utilizzato Used oil	
Tipo - Type	Kg
SAE 30	0,7

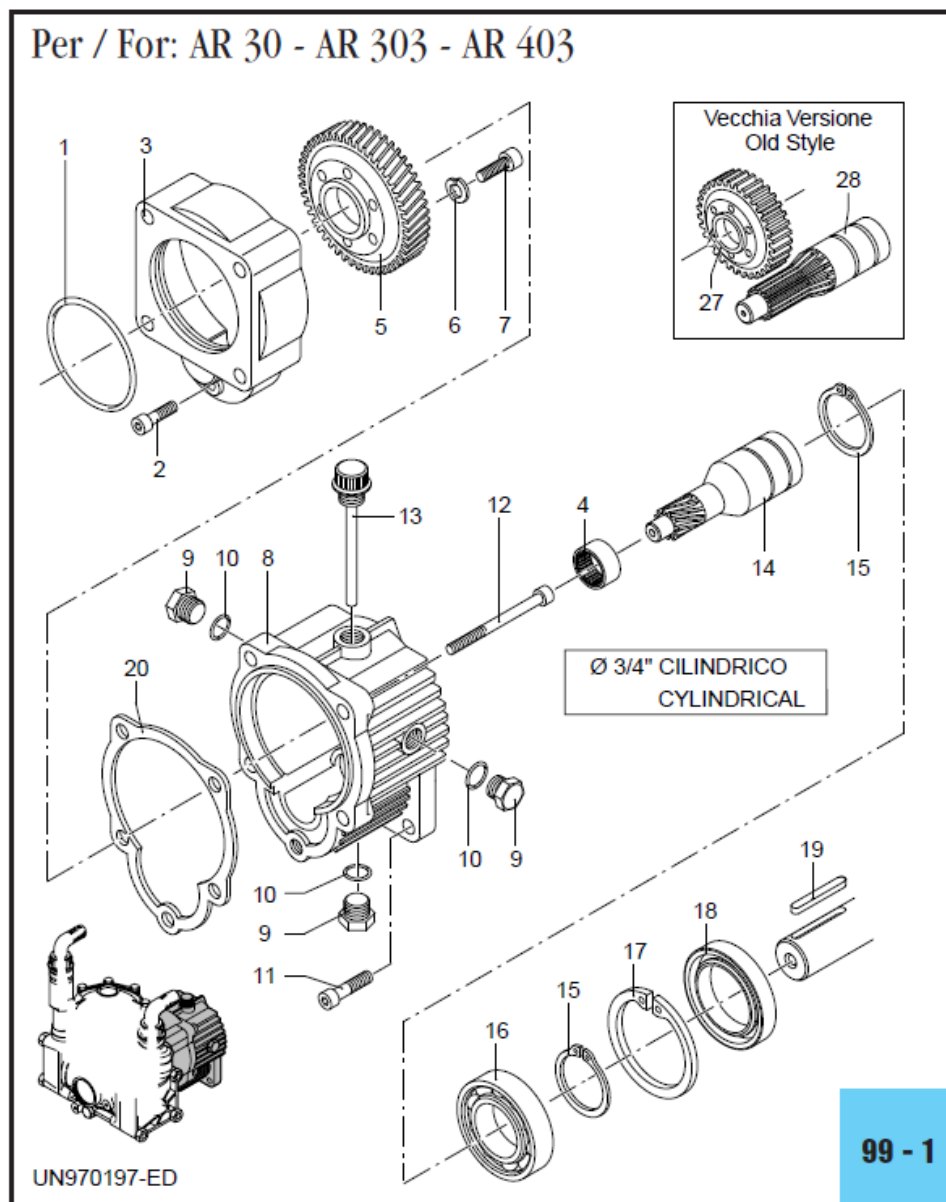
## NOTE

SOME PARTS ARE NON-STOCK  
ITEMS AND MAY NEED TO BE  
ORDERED

## NOTE

PLEASE ADD PREFIX **AR**  
TO REFLECT CROPLANDS  
PART NUMBER

AR1636



Pos.	Cod.	Descrizione	Description	Q.ty	Note
1	620561	OR $\varnothing$ 78x2,5	O-Ring	1	
2	180030	Vite TCEI M 8x20	Bolt	1	
3	621000	Coperchio riduttore	Gear cap	1	
4	620990	Cuscinetto	Bearing	1	
5	651620	Ruota dentata	Gear	1	Z= 64
6	200231	Rosetta $\varnothing$ 10,5	Washer	3	
7	620470	Vite TCEI M 10x20	Bolt	3	
8	620960	Scatola riduttore	Gear box	1	
9	1980740	Tappo 3/8" G	Plug	3	Ottone/Brass
10	740290	OR $\varnothing$ 14x1,78	O-Ring	3	
11	651000	Vite TCEI 5/16"	Bolt	4	5/16"x24UNFx1"
12	621010	Vite TCEI M 10x75	Bolt	4	
13	1140370	Tappo olio + OR	Oil plug & o-ring	1	
14	621660	Pignone	Pinion	1	Z= 11
15	320240	Anello seeger	Circlip	2	
16	961780	Cuscinetto	Bearing	1	
17	961790	Anello seeger	Circlip	1	
18	961800	Anello tenuta	Seal ring	1	
19	881090	Linguetta	Key	1	
20	620950	Guarnizione scatola	Gasket	1	
27	620980	Ruota dentata	Gear	1	Z= 58
28	620970	Pignone	Pinion	1	Z= 10

PER MOTORI A SCOPIO CON P.D.F. ALBERO CILINDRICO  $\varnothing$  3/4", FLANGIA SAE J609A:

FOR PETROL ENGINE WITH 3/4" P.T.O. SHAFT, FLANGE SAE J609A:

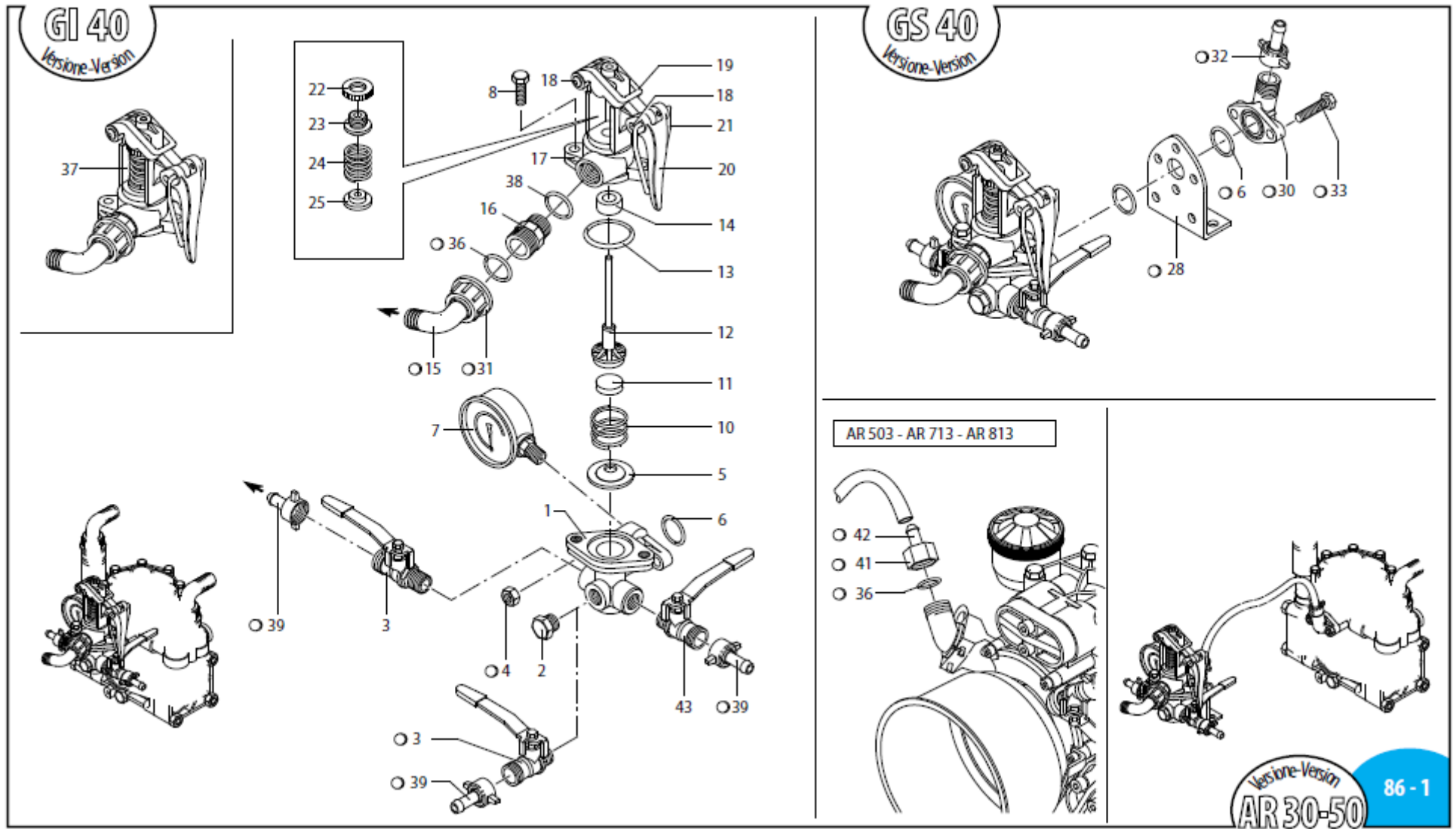
POUR MOTEUR À ESPLOSION AVEC P.D.F. ARBRE CILINDRIQUE  $\varnothing$  3/4", FLASQUE SAE J609A:

FÜR EXPLOSIONMOTOREN MIT T.Z.W. ZYLINDRISCHE WELLE  $\varnothing$  3/4", FLANSCH SAE J609A:

PARA MOTORES À ESPLOSIÓN CON T.D.F. EJE CILINDRICO  $\varnothing$  3/4", ACOPLAMIENTO SAE J609A:

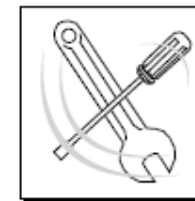
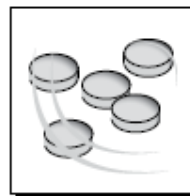
**BRIGGS & STRATTON HONDA KAWASAKI**

## ARGI40



Pos.	Cod.	Descrizione	Description	Q.ty	Note
1	620220	Gruppo comando	Control unit	1	
2	130171	Tappo 3/8"G	Plug	1	ex 30171 ⚡ C <sub>20</sub>
3	130491	Rub. 3/8"-1/2" G (M) DX	Right valve	2	ex 30491 ⚡
4	390270	Dado M 8	Nut	2	C <sub>20</sub>
5	450110	Sede valvola	Valve seat	1	
6	550350	OR ø 23,81x2,62	O-Ring	2	
7	550545	Manometro ø 63	Pressure gauge	1	0-80 bar ⚡
8	180370	Vite TE M 8x25	Bolt	2	C <sub>20</sub>
10	320420	Molla castello	Spring	1	
11	110121	Pastiglia	Valve seat	1	Vulkolan
11	110120	Pastiglia	Valve seat	1	Gomma
11	110122	Pastiglia	Valve seat	1	Viton
12	320433	Funghetto completo	Stem	1	
13	320511	OR ø 37,8x4 ovalizzato	O-Ring	1	
14	390140	Guarnizione	Gasket	1	
14	390141	Guarnizione	Gasket	1	Viton
15	550460	Curva ø 18	Elbow	1	
16	550440	Niples 1/2"-3/4"G(M)	Threaded adapter	1	
17	320410	Castello valvola	Body valve	1	
18	320480	Perno forcella	Pin	2	
19	320460	Forcella	Fork	1	
20	320470	Leva comando	Lever	1	
21	320490	Tirante	Locking clip lever	1	
22	320450	Piattello registro	Plate register	1	
23	320440	Registro valvola	Valve register	1	
24	110190	Molla	Spring	1	
25	230120	Piattello guida molla	Plate	1	
28	320406	Staffa GS	Bracket	1	
30	450145	Flangia raccordo	Flange	1	
31	550450	Girello 3/4" G	Ring nut	1	
32	110130	Racc.1/2" G+tub. ø13	Fitting 1/2" G+hose ø13	1	ex 10130
33	160660	Vite TE M 8x35	Bolt	2	C <sub>10</sub>
36	880830	OR ø 15,54x2,62	O-Ring	2	
37	1923	Valvola regolazione	Regulating valve	1	
38	180101	OR ø 17,5x2	O-Ring	1	
39	110131	Racc.1/2" G+tub. ø10	Fitting 1/2" G+hose ø10	3	ex 10131
41	1040790	Girello raccordo 3/4" G	Ring nut	1	
42	1150580	Portagomma ø 13	Hose tail	1	

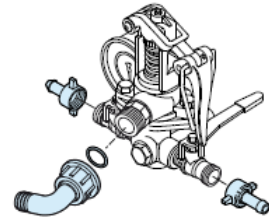
Pos.	Cod.	Descrizione	Description	Q.ty	Note
43	130492	Rub. 3/8"-1/2" G (M) SX	Left valve	1	ex 30492 ⚡
○ Non compreso nel GI 40 - No part of GI 40					



KIT 1921 Pastiglie gomma Buna valve seats		KIT 1922 Pastiglie Vulkolan Vulkolan valve seats		KIT 1925 Pronto intervento Maintenance repair			
Pos.	Q.ty	Pos.	Q.ty	Pos.	Q.ty	Pos.	Q.ty
11		11		5	1		
				10	1		
				11	1		
				12	1		
				13	1		
				14	1		

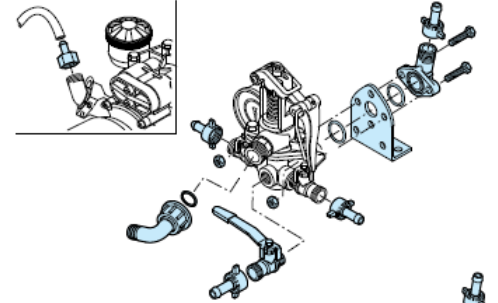
Kit per/for GI 40

KIT 977 "I"

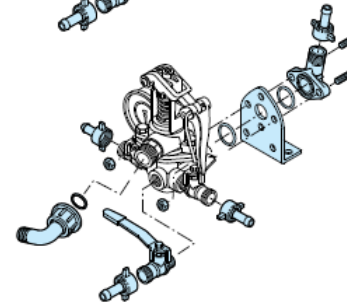


SL000114GY

KIT 980 "S"



KIT 982 "S"



SL000027KA

Comando incorporato e separato - Build-in control unit and remote control

**KIT 977 "I"**  
Comando incorporato  
Build in control

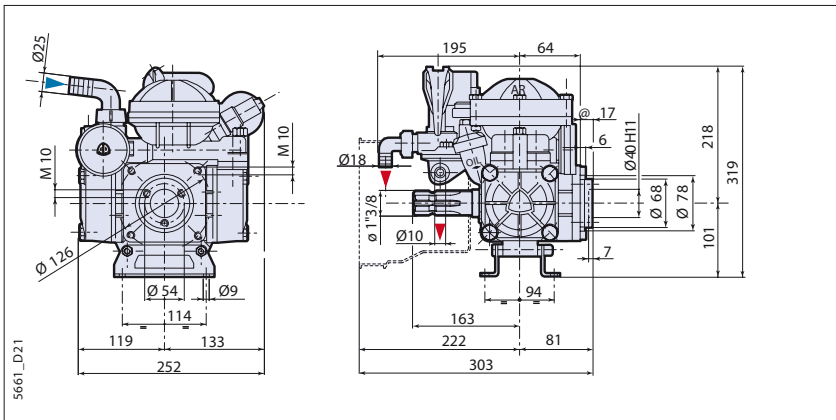
Pos.	Q.ty	Pos.	Q.ty
15	1		
31	1		
36	1		
39	2		
Per / for AR 30 - AR 50 - AR 303 - AR 403			

**KIT 980 "S"**  
Comando separato  
Remote control

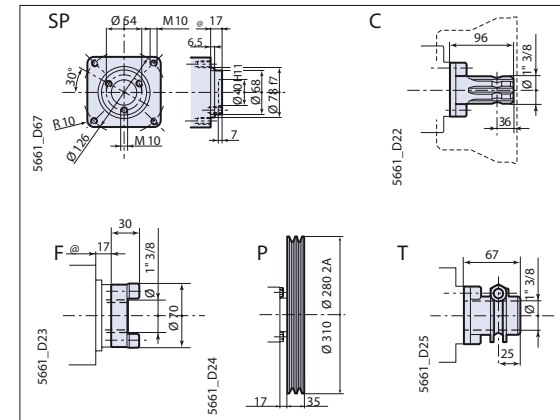
Pos.	Q.ty	Pos.	Q.ty
3	2		
4	2		
6	2		
15	1		
28	1		
30	1		
32	1		
33	2		
36	2		
39	3		
Per / for AR 30 - AR 50 - AR 303 - AR 403			

**KIT 982 "S"**  
Comando separato  
Remote control

Pos.	Q.ty	Pos.	Q.ty
3	2	41	1
4	2	42	1
6	2		
15	1		
28	1		
30	1		
32	1		
33	2		
36	2		
39	3		
Per / for AR 503			



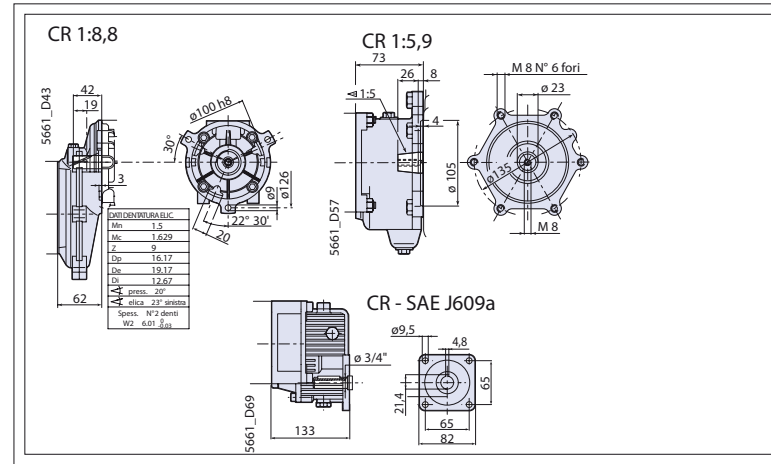
AR 30



DIMENSIONS • DIMENSIONI



Please note: specifications are subject to change for improvement without notice.  
© Apr 2007 by AnnoviReverberi spa



## HONDA GX200



Engine Type	<b>Air-cooled 4-stroke OHV</b>
Bore x Stroke	<b>68 X 54 mm</b>
Displacement	<b>196 cm<sup>3</sup></b>
Net Power Output*	<b>5.5 HP (4.1 kW) @ 3,600 rpm</b>
Net Torque	<b>9.1 lb-ft (12.4 Nm) @ 2,500 rpm</b>
PTO Shaft Rotation	<b>Counterclockwise (from PTO shaft side)</b>
Compression Ratio	<b>8.5:1</b>
Lamp/Charge coil options	<b>25W, 50W / 1A, 3A, 7A</b>
Carburetor	<b>Butterfly</b>
Ignition System	<b>Transistorized magneto</b>
Starting System	<b>Recoil Starter</b>
Lubrication System	<b>Splash</b>
Governor System	<b>Mechanical</b>
Air cleaner	<b>Dual element</b>
Oil Capacity	<b>0.63 US qt (0.6l)</b>
Fuel Tank Capacity	<b>3.3 U.S. qts (3.1 liters)</b>
Fuel	<b>Unleaded 86 octane or higher</b>
Dry Weight	<b>35 lbs. (16.1 kg)</b>

### Dimensions

Length (min)	<b>12.6" (321mm)</b>
Width (min)	<b>14.8" (376mm)</b>
Height (min)	<b>13.6" (346 mm)</b>