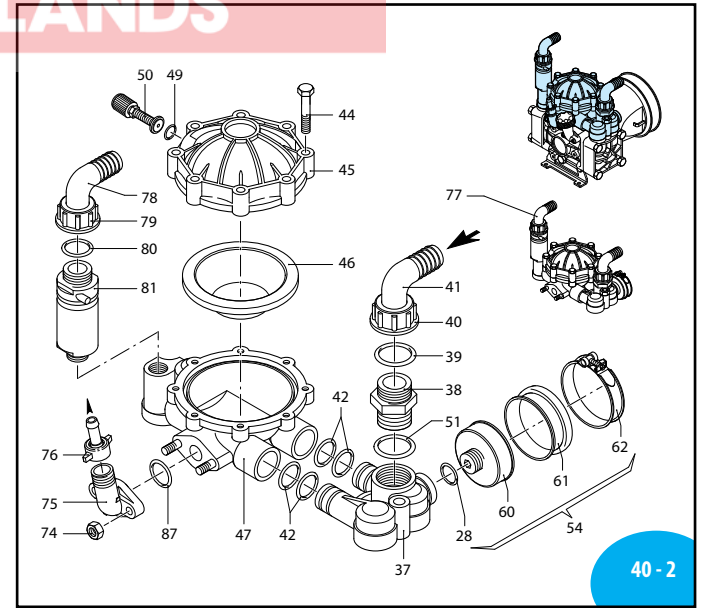
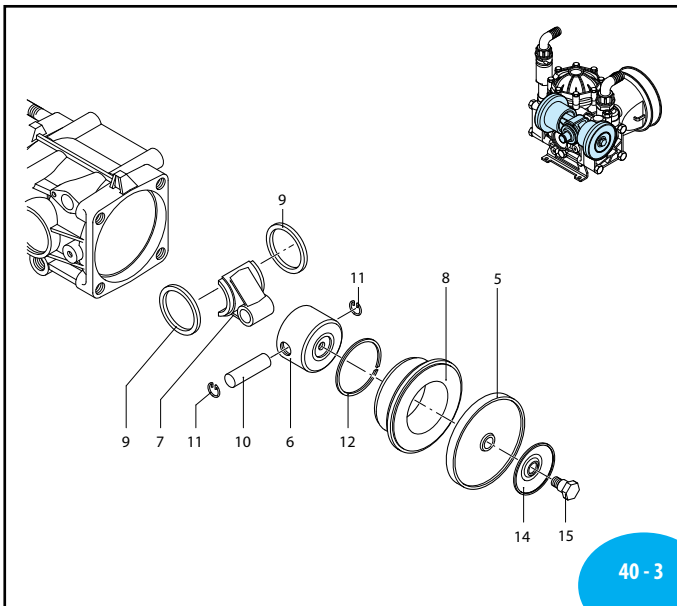


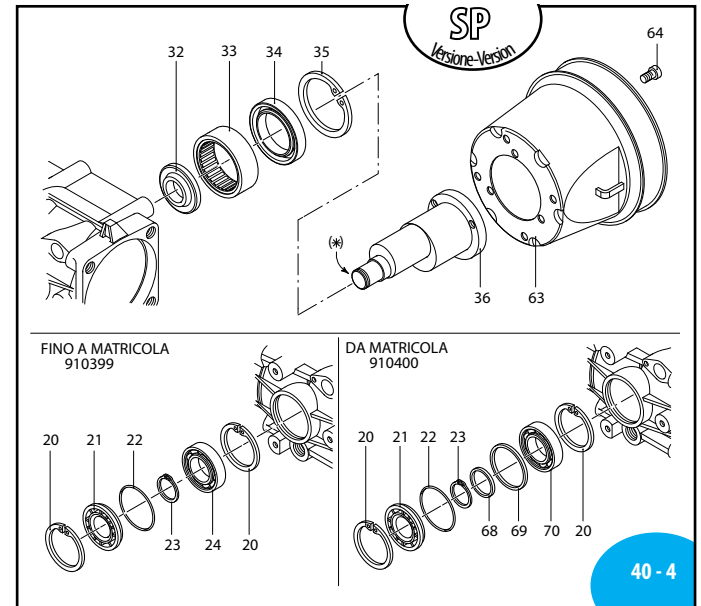
UN000352-DD



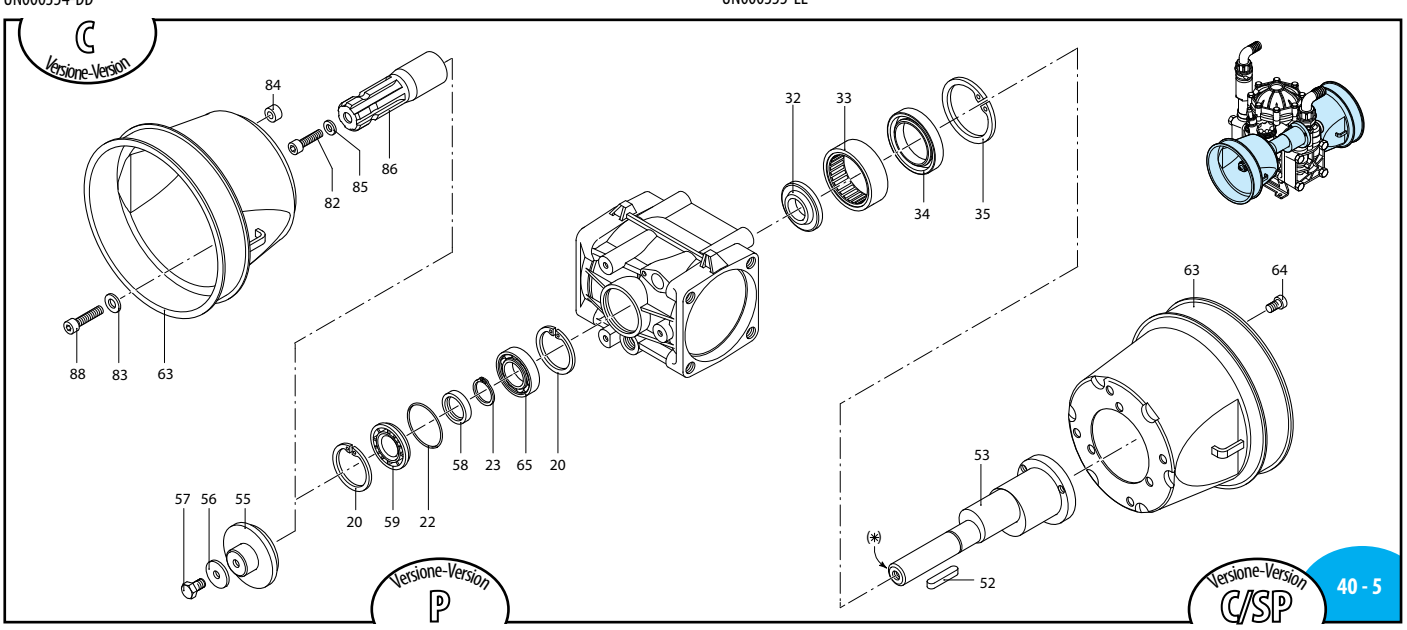
UN000353-DD



UN000354-DD



UN000355-LE



UN000356-DD

**NOTE**

PLEASE ADD PREFIX AR  
TO REFLECT CROPLANDS  
PART NUMBER

**AR 30**

**NOTE**

SOME PARTS ARE NON-STOCK  
ITEMS AND MAY NEED TO BE  
ORDERED

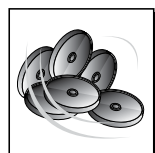
Pos.	Cod.	Descrizione	Description	Q.ty	Note
1	620011	Corpo pompa	Pump body	1	
2	620101	Testa DX	Right head	1	
3	620102	Testa SX	Left head	1	
4	621430	Vite TE M 12x55	Bolt	8	C <sub>50</sub>
	620080	Membrana	Diaphragm	2	Gomma
	620081	Membrana	Diaphragm	2	Viton
	620085	Membrana	Diaphragm	2	Desmopan
6	620120	Pistone	Piston	2	
7	620140	Biella	Connecting rod	2	
8	620110	Camicia	Sleeve	2	
9	580470	Anello biella	Con rod pin	2	
10	380300	Spinotto	Piston pin	2	
11	380080	Anellino spinotto	Pin ring	4	
12	160230	Segmento	Piston ring	2	
14	1040180	Piastra di richiamo	Plate	2	
15	580360	Perno membrana	Diaphragm pin	2	○ C <sub>20</sub>
16	180150	Dado M 10	Nut	2	
10	620030	OR ø 25,80x3,53	O-Ring	4	▶
10	620031	OR ø 25,80x3,53	O-Ring	4	Viton
19	629050	Valvola completa	Complete valve	4	
20	111120	Anello seeger	Circlip	2	
21	620020	Coperchietto chiuso	Cover	1	
22	620210	OR ø 40,95x2,62	O-Ring	1	▶
23	620291	Anello seeger	Circlip	1	
24	620191	Cuscinetto	Bearing	1	
25	850850	Vite TCEI M 6x30	Bolt	2	C <sub>10</sub>
26	550331	Rosetta øi 6,5	Washer	2	
28	180101	OR ø 17,5x2	O-Ring	2	▶
29	550030	Serbatoio olio	Oil tank	1	
30	550040	OR ø 26,65x2,62	O-Ring	1	▶
31	550050	Tappo serbatoio olio	Oil tank cap	1	
32	620160	Distanziale	Spacer	1	
33	550060	Boccola a rullini	Roller bushing	1	
34	620130	Anello tenuta	Seal ring	1	▶
35	620330	Anello seeger	Circlip	1	
36	620170	Albero eccentrico "SP"	"SP" shaft	1	(N)
37	620150	Attacco aspirazione	Suction manifold	1	
38	550340	Niples 1"G(M)-1"G(M)	Threaded adapter	1	
39	550350	OR ø 23,81x2,62	O-Ring	1	▶
40	550242	Girello 1"G	Ring nut	1	
41	550370	Curva ø 25	Elbow	1	
42	390060	OR ø 20,63x2,62	O-Ring	4	▶
44	621780	Vite TE M 8x40	Bolt	8	C <sub>20</sub>
45	620230	Semisfera superiore	Upper air chamber	1	
46	550190	Semicamera aria	Semi air chamber	1	Gomma
	550191	Semicamera aria	Semi air chamber	1	Saturflon
	550192	Semicamera aria	Semi air chamber	1	Viton
47	620180	Semicamera inf.	Lower air chamber	1	

Pos.	Cod.	Descrizione	Description	Q.ty	Note
47	629209	Semicamera inf.compl.	Compl.lower air chamb.	1	Vedi / See ●
49	650542	Guarnizione	Gasket	1	▶
50	180020	Valvola di gonfiaggio	Air valve	1	
51	390290	OR ø 29x3	O-Ring	1	▶
52	620680	Linguetta	Key	1	Per / For 620172
	620172	Albero passante "C/SP"	Through-shaft "C/SP"	1	ø 20 mm (P)
	620174	Albero passante "C/SP"	Through-shaft "C/SP"	1	ø 3/4" (R)
54	659209	Prem. membranina asp.	Suct. diaphragm assembly	1	
55	620661	Flangia	Flange	1	
56	620670	Rosetta øi 8,5	Washer	1	
57	180370	Vite TE M 8x25	Bolt	1	C <sub>20</sub>
58	620630	Anello tenuta	Seal ring	1	
59	620021	Coperchietto passante	Cover	1	
60	650660	Porta membrana	Diaphragm holder	1	■
61	650670	Membranina asp.	Suction diaphragm	1	
62	651670	Fascetta	Clamp	1	
63	1500350	Protezione cardano	Cardan protection	1	
64	820670	Vite TCEI M 10x16	Bolt	4	C <sub>10</sub>
65	620190	Cuscinetto	Bearing	1	
66	880530	Tappo 3/8" G	Plug	1	C <sub>20</sub>
67	740290	OR ø 14x1,78	O-Ring	1	▶
68	620930	Distanziale cuscinetto	Spacer	1	
69	620940	Distanziale cuscinetto	Spacer	1	
70	380230	Cuscinetto	Bearing	1	
71	380210	Vite TE M 8x75	Bolt	2	C <sub>30</sub>
72	380240	Dado M 8	Nut	2	
73	380200	Piede	Base	2	
74	390270	Dado M 8	Nut	2	C <sub>20</sub>
75	450145	Flangia raccordo	Flange	1	
76	110130	Racc.1/2" G+tub. ø13	Fitting 1/2" G+hose ø13	1	
77	1522	Camera aria completa	Complete air chamber	1	
78	550460	Curva ø 18	Elbow	1	
79	550450	Girello 3/4" G	Ring nut	1	
80	880831	OR ø 15,54x2,62	O-Ring	1	Viton ▶
81	1609001	Valvola di sicurezza	Safety valve	1	●
82	680350	Vite TCEI M 8x35	Bolt	1	C <sub>20</sub>
83	380241	Rosetta øi 8,5	Washer	3	
84	1200521	Distanziale	Spacer	3	
85	961340	Rosetta øi 8,5	Washer	1	
86	621370	Giunto	Universal joint	1	Per / For 620172
87	550350	OR ø 23,81x2,62	O-Ring	1	☒
88	680350	Vite TCEI M 8x35	Bolt	3	C <sub>10</sub>

● Completa di tappo ed or per versioni senza valvola di sicurezza.  
With plug and o-ring for version without safety valve.

Media Pressione  
Medium Pressure

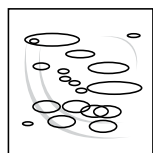
CI 0455JMG



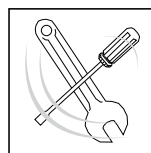
KIT 1930 Membrane gomma Buna diaphragms	
Pos.	Q.ty
5	
2	



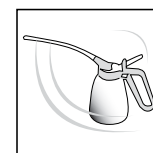
KIT 1917 Valvole Valves	
Pos.	Q.ty
18	4
19	4



KIT 1916 OR O-Rings	
Pos.	Q.ty
18	4
22	1
28	2
39	2
42	4
49	1
51	1
67	1

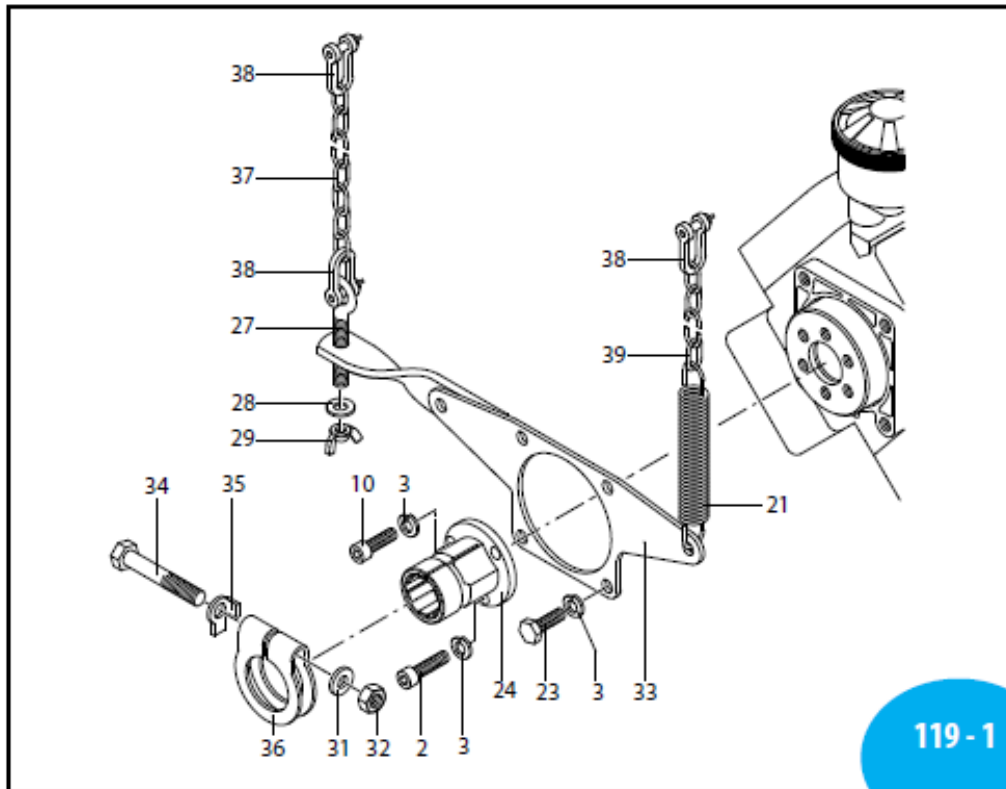


KIT 1915 Pronto intervento Maintenance repair					
Pos.	Q.ty	Pos.	Q.ty	Pos.	Q.ty
5	2	40	1		
13	1	41	1		
14	1	42	4		
15	1	46	1		
18	4	49	1		
19	4	51	1		
22	1	61	1		
28	2	67	1		
29	1				
39	2				



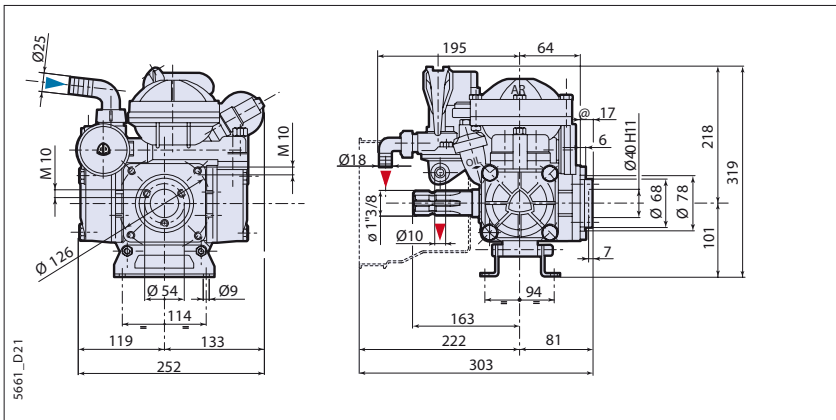
Olio utilizzato Used oil	
Tipo - Type	Kg
SAE 30	0,7

## AR1509 – TRACTOR KIT

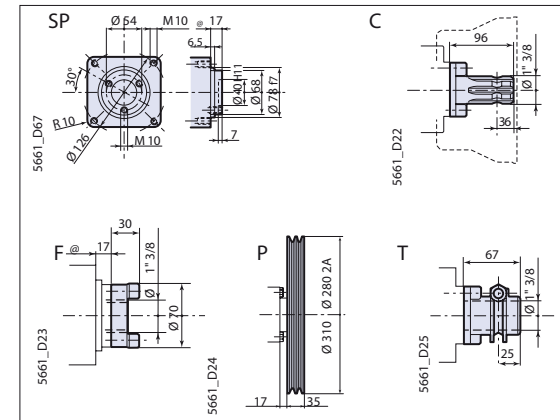


IIN970025-1 I

Pos.	Cod.	Descrizione	Description	Q.ty	Note
2	160671	Vite TCEI M 10x25	Bolt	3	C 40
3	200231	Rosetta ø1 10,5	Washer	10	
10	620470	Vite TCEI M 10x20	Bolt	3	C 40
21	650380	Molla	Spring	1	
23	620340	Vite TE M 10x20	Bolt	4	C 40
24	620270	Innesto attacco rapido	Shaft	1	
27	320630	Tirante occhio	Tie rod	1	
28	320620	Rosetta ø1 10,5	Washer	1	
29	320610	Dado ad alette A M 10	Wing nut	1	
31	320131	Rosetta ø1 12,5	Washer	1	
32	320130	Dado M 12	Nut	1	
33	650350	Staffa pompa	Pump bracket	1	
34	320170	Vite TE M 12x75	Bolt	1	C 40
35	500171	Rosetta ad alette	Washer	1	
36	500160	Morsetto albero	Clamp	1	
37	320640	Catena	Chain	1	
38	650340	Attacco per catena	Chain hook	3	
39	320641	Catena	Chain	1	
Per pompe tipo - For pumps type :					
AR 30 - AR 50 - AR 303 - AR 403 - AR 503 - AR 713 - AR 813					



AR 30



DIMENSIONS • DIMENSIONI



Please note: specifications are subject to change for improvement without notice.  
© Apr 2007 by AnnoviReverberi spa

