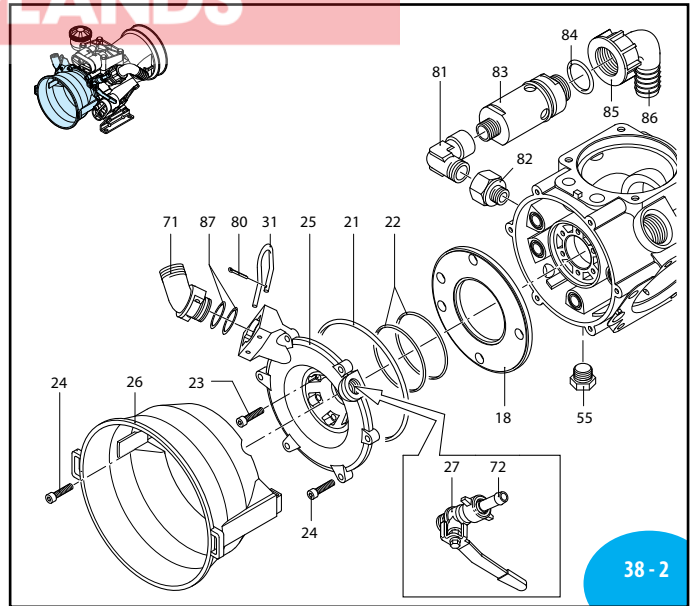
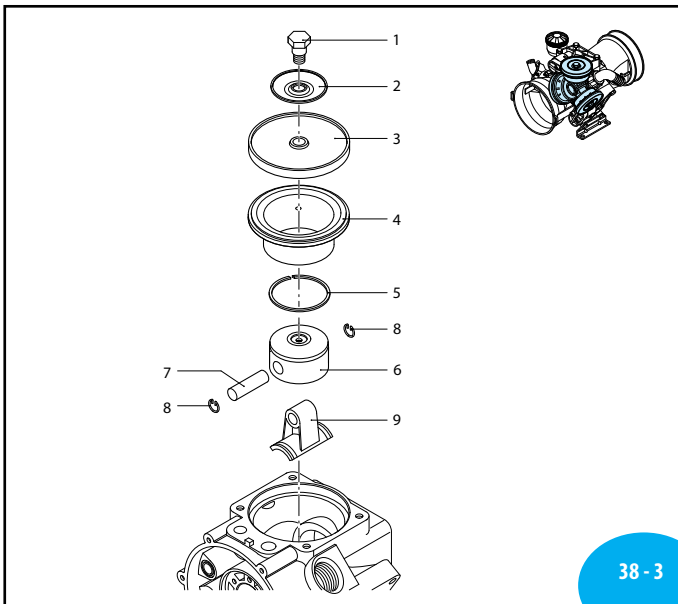


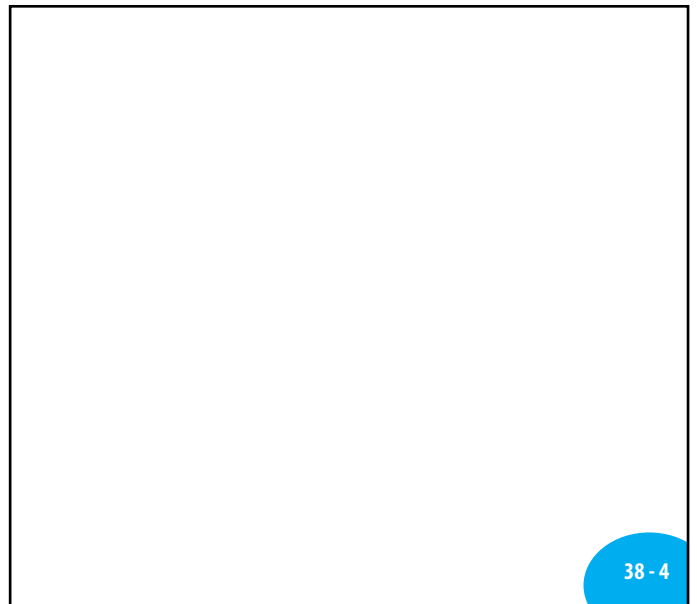
UN970058-DD



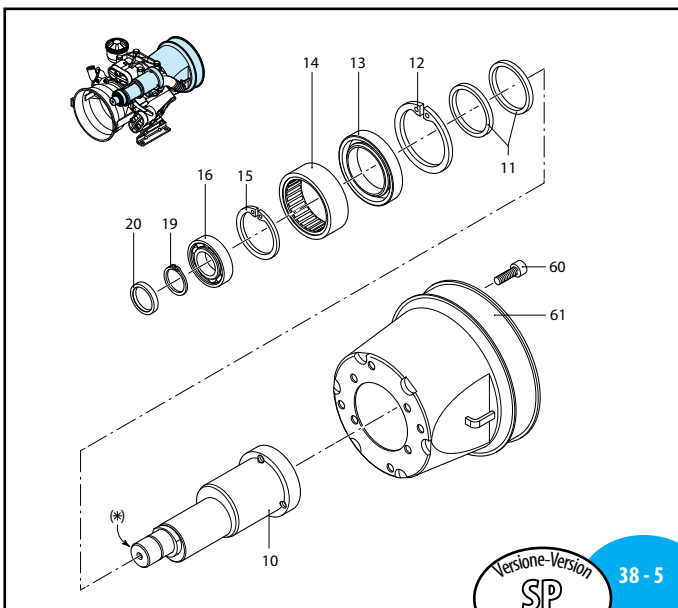
UN970059-LJ



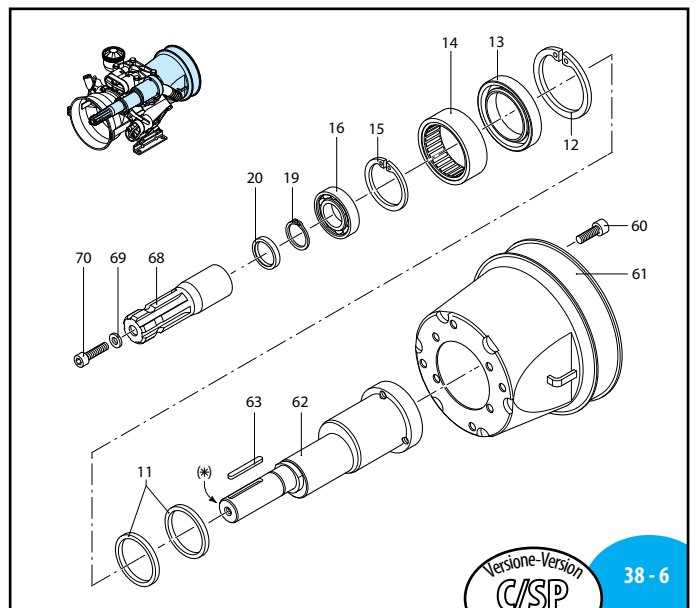
UN970062-LJ



UN970061-LE



UN970060-LE



UN970061-LE

AR 503

Pos.	Cod.	Descrizione	Description	Q.ty	Note
1	580360	Perno membrana	Diaphragm pin	3	● C ₃₀
2	1040180	Piastra di richiamo	Plate	3	
	620080	Membrana	Diaphragm	3	Gomma
	620081	Membrana	Diaphragm	3	Viton
	620085	Membrana	Diaphragm	3	Desmopan
4	1300110	Camicia	Sleeve	3	
5	160230	Segmento elastico	Piston ring	3	
6	620120	Pistone	Piston	3	
7	380300	Spinotto	Piston pin	3	
8	380080	Anellino spinotto	Pin ring	6	
9	1300140	Biella	Connecting rod	3	
10	1300170	Albero universale"SP"	"SP" shaft	1	(Z)
11	1300120	Anello biella	Con rod ring	2	
12	1300240	Anello seeger	Circlip	1	
13	1300220	Anello tenuta	Seal ring	1	▶
14	1300210	Astuccio a rullini	Roller bearing	1	
15	1260790	Anello seeger	Circlip	1	
16	180400	Cuscinetto	Bearing	1	
17	740291	OR ø 14x1,78	O-Ring	5	Viton ▶
18	1300020	Separatore condotti	Manifold plate	1	
19	1300050	Anello seeger	Circlip	1	
20	1300230	Anello tenuta	Seal ring	1	▶
21	1300270	OR ø 126,67x2,62	O-Ring	1	
22	640030	OR ø 60x2,62	O-Ring	2	
23	880280	Vite TCEI M 6x18	Bolt	6	C ₁₀
24	1040370	Vite TCEI M 6x22	Bolt	6	C ₁₀
25	1300030	Condotta mandata	Manifold	1	
26	1500130	Protezione cardano	Cardan protection	1	
27	130491	Rub. 3/8"-1/2" G (M) DX	Right valve	1	ex 30491
30	390180	OR ø 18,72x2,62	O-Ring	1	▶
31	1040690	Forcella	Fork	1	
34	390290	OR ø 29x3	O-Ring	2	▶
35	450120	Nipples 1"-1 1/4 G (M)	Threaded adapter	1	
36	1300010	Corpo pompa	Pump body	1	
37	580060	Girello 1 1/4 G	Ring nut	1	
38	580040	Curva ø 30	Elbow	1	
39	200230	Vite TE M 10x45	Bolt	4	C ₄₅
40	640230	Vite TE M 10x60	Bolt	4	C ₄₅
41	480441	OR ø 17,13x2,62	O-Ring	6	Viton ▶
42	1300101	Testa DX	Right head	2	
43	1300102	Testa SX	Left head	1	
44	1409050	Valvola completa	Complete valve	6	
45	620030	OR ø 25,80x3,53	O-Ring	6	▶
	620031	OR ø 25,80x3,53	O-Ring	6	Viton ▶
46	540361	OR ø 33,05x1,78	O-Ring	6	▶
47	1300190	Tappo valvola	Valve cap	3	
48	620610	Vite TCEI M 8x30	Bolt	6	C ₂₀
49	1040322	Tappo serbatoio nero	Black oil tank cap	1	

Pos.	Cod.	Descrizione	Description	Q.ty	Note
50	650920	OR ø 53,65x2,62	O-Ring	1	▶
51	1040310	Serbatoio olio	Oil tank	1	
52	550331	Rosetta ø 6,5	Washer	2	
53	850850	Vite TCEI M 6x30	Bolt	2	C ₁₀
55	880530	Tappo 3/8" G	Plug	1	● C ₂₀
56	770070	Grano M 10x10	Dowel	1	● C ₁₀
57	1300280	Distanziale piede	Spacer	2	
58	1300090	Piede	Base	2	
59	1300360	Vite TE M 10x65	Bolt	4	C ₄₅
60	820670	Vite TCEI M 10x16	Bolt	4	C ₁₀
61	1500350	Protezione cardano	Cardan protection	1	
62	1300160	Albero passante	Through-shaft	1	Per/For"C/SP" (K)
63	650250	Linguetta	Key	1	
68	650300	Giunto cardano	Universal joint	1	
69	961340	Rosetta ø 8,5	Washer	1	
70	680350	Vite TCEI M 8x35	Bolt	1	C ₂₀
71	1040760	Attacco 3/4" G	Coupling	1	
72	110131	Racc. 1/2" G+tub. ø10	Fitting 1/2" G+hose ø10	2	
80	1040950	Copiglia	Split pin	1	
81	881560	Gomito 90° 1/2" G (M)-(F)	Elbow	1	■
82	881461	Manic. 3/8"-1/2" G (M)-(F)	Threaded adapter	1	■
83	1609001	Valvola di sicurezza	Safety valve	1	■
84	880831	OR ø 15,54x2,62	O-Ring	1	▶
85	550450	Girello 3/4" G	Ring nut	1	
86	550460	Curva ø 18	Elbow	1	
87	390180	OR ø 18,72x2,62	O-Ring	2	☒

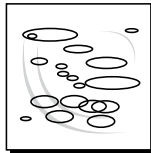
Media Pressione
Medium Pressure



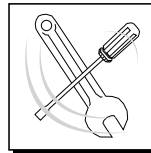
KIT 1986 Membrane gomma Buna diaphragms	
Pos.	Q.ty
3	3



KIT 1987 Valvole Valves	
Pos.	Q.ty
44	6
45	6
46	6



KIT 1984 OR O-Rings	
Pos.	Q.ty
17	6
21	1
22	2
30	3
34	2
41	6
45	6
46	6
50	1



KIT 1985 Pronto intervento Maintenance repair					
Pos.	Q.ty	Pos.	Q.ty	Pos.	Q.ty
1	3	37	1		
3	3	38	1		
13	1	41	6		
17	6	44	6		
20	1	45	6		
21	1	46	6		
22	2	47	3		
30	3	49	1		
31	1	51	1		
34	2	80	1		



Olio utilizzato Used oil	
Tipo - Type	Kg
SAE 30	0,6

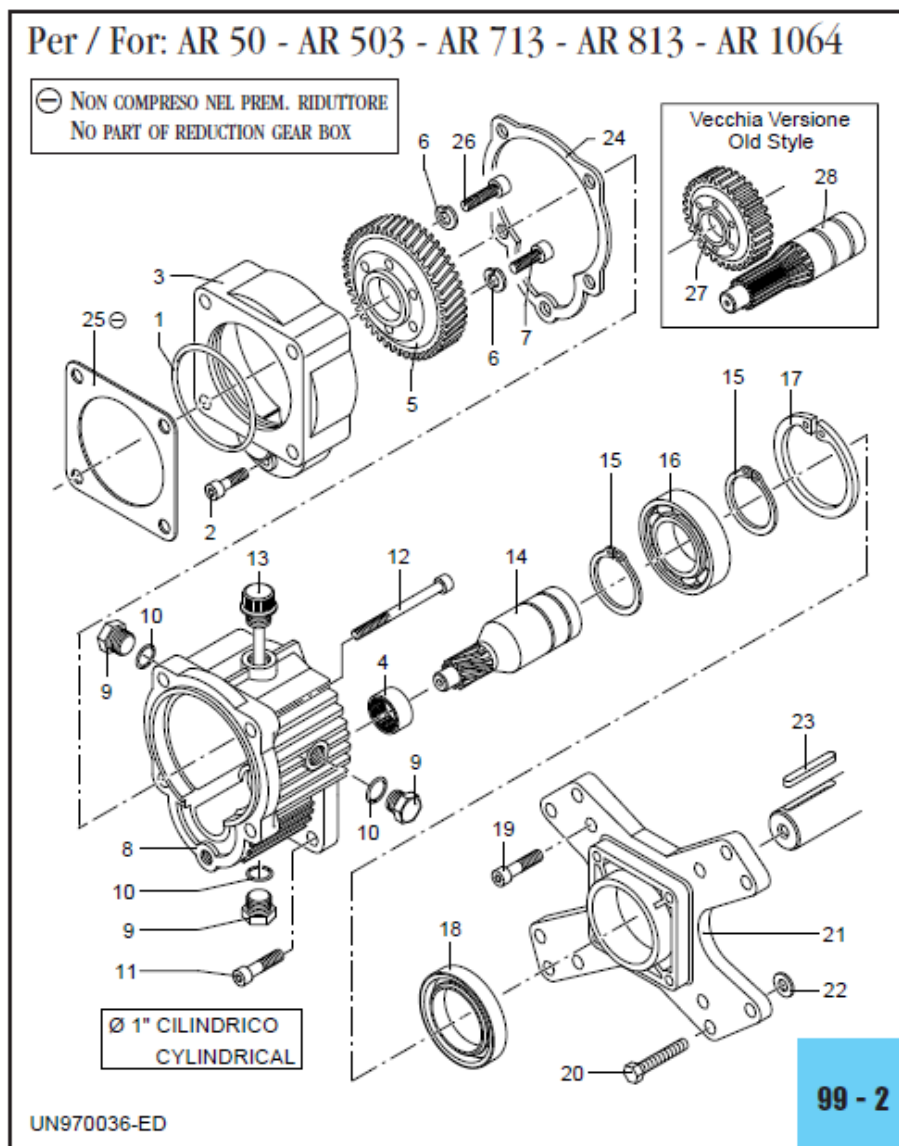
NOTE

SOME PARTS ARE NON-STOCK
ITEMS AND MAY NEED TO BE
ORDERED

NOTE

PLEASE ADD PREFIX **AR**
TO REFLECT CROPLANDS
PART NUMBER

AR1639



Pos.	Cod.	Descrizione	Description	Q.ty	Note
1	620561	OR ø 78x2,5	O-Ring	1	
2	180030	Vite TCEI M 8x20	Bolt	1	
3	621000	Coperchio riduttore	Gear cap	1	
4	620990	Cuscinetto	Bearing	1	
5	651620	Ruota dentata	Gear	1	Z= 64
6	200231	Rosetta øi 10,5	Washer	6	
7	620470	Vite TCEI M 10x20	Bolt	3	
8	620960	Scatola riduttore	Gear box	1	
9	1980740	Tappo 3/8" G	Plug	3	Ottone/Brass
10	740290	OR ø 14x1,78	O-Ring	3	
11	540290	Vite TCEI M 8x25	Bolt	4	
12	621010	Vite TCEI M 10x75	Bolt	4	
13	1140370	Tappo olio + OR	Oil plug & o-ring	1	
14	651610	Pignone	Pinion	1	Z= 11
15	320240	Anello seeger	Circlip	2	
16	961780	Cuscinetto	Bearing	1	
17	961790	Anello seeger	Circlip	1	
18	961800	Anello tenuta	Seal ring	1	
19	651000	Vite TCEI 5/16"	Bolt	4	5/16"x24UNFx1"
20	961900	Vite TE 3/8"16 UNCx1"1/4	Bolt	4	Vedi/See □
21	1320940	Flangia per motore	Flange for motor	1	
22	961770	Distanziale riduttore	Spacer	4	Vedi/See □
23	650990	Linguetta	Key	1	
24	620950	Guarnizione scatola	Gasket	1	
25	650270	Guarnizione riduttore	Gasket	1	Per/For AR 50
26	160671	Vite TCEI M 10x25	Bolt	1	
27	620980	Ruota dentata	Gear	1	Z= 58
28	650400	Pignone	Pinion	1	Z= 10

PER MOTORI A SCOPPIO CON P.D.F. ALBERO CILINDRICO Ø 1", FLANGIA SAE J609A:

FOR PETROL ENGINE WITH 1" P.T.O. SHAFT, FLANGE SAE J609A:

POUR MOTEUR À ESPLOSION AVEC P.D.F. ARBRE CILINDRIQUE Ø 1", FLASQUE SAE J609A:

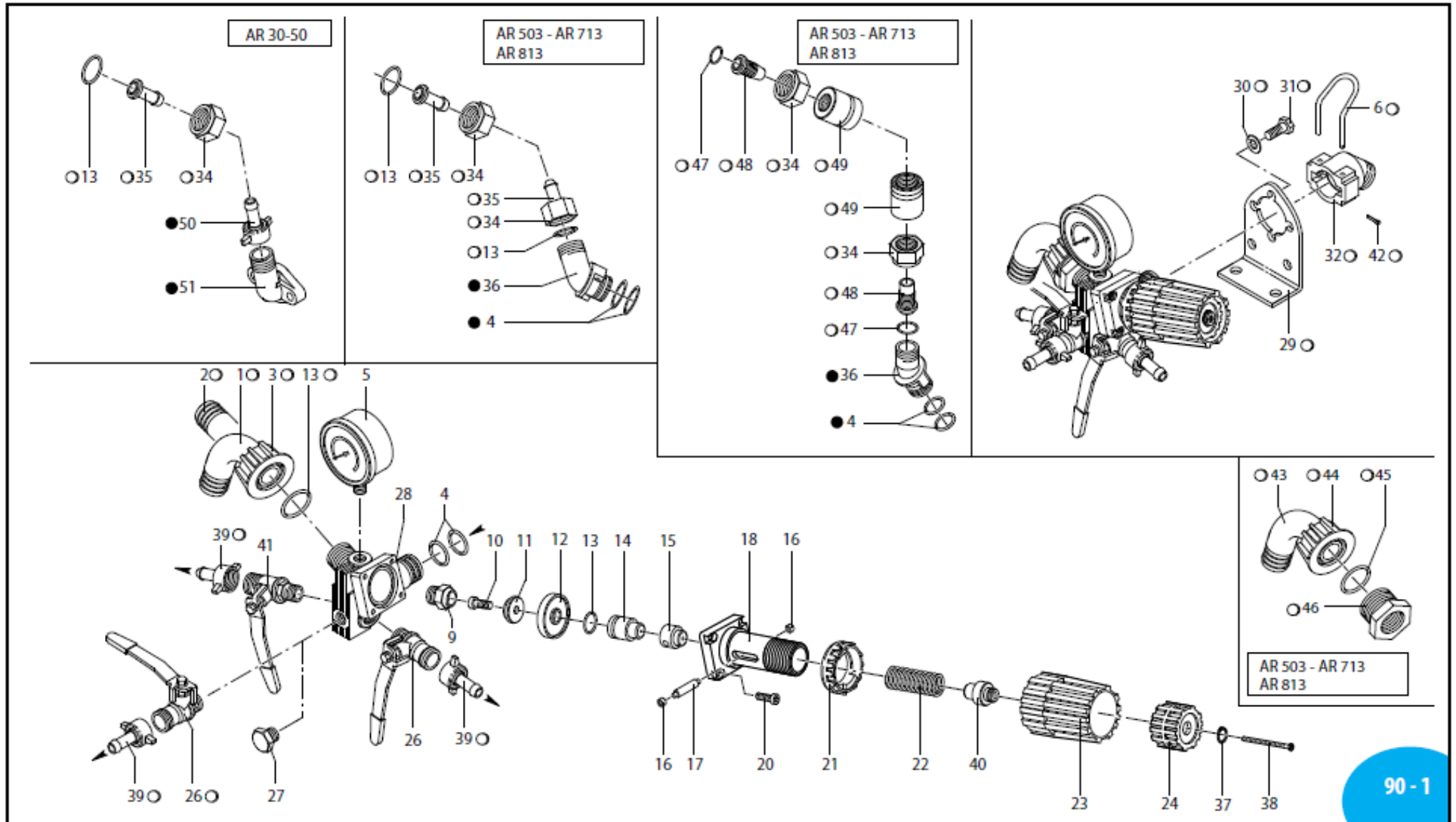
FÜR EXPLOSIONMOTOREN MIT T.Z.W. ZYLINDRISCHE WELLE Ø 1", FLANSH SAE J609A:

PARA MOTORES À ESPLOSIÓN CON T.D.F. EJE CILINDRICO Ø 1", ACOPLAMIENTO SAE J609A:

BRIGGS & STRATTON **HONDA** **KAWASAKI**

□ PER MOTORI ITALIANI / ITALIAN ENGINES ONLY / POUR MOTEUR ITALIENS / FÜR ITALIANISCHE MOTOREN / PARA MOTORES ITALIANOS

ARRM40I

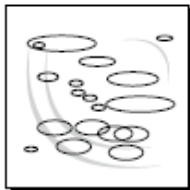


Pos.	Cod.	Descrizione	Description	Q.ty	Note
1	550460	Curva ø 18	Elbow	1	
2	800340	Portagomma ø 20	Hose tail	1	Optional
	800342	Portagomma ø 16	Hose tail	1	Optional
3	550450	Girello 3/4" G	Ring nut	1	
4	390180	OR ø 18,72x2,62	O-Ring	4	▶
5	550545	Manometro ø 63	Pressure gauge	1	0-80 bar ◀
6	1040690	Forcella	Fork	1	
9	1150520	Sede valvola	Valve seat	1	☑
10	680560	Vite TCEI M 6x16	Bolt	1	◀ C ₁₀
11	1040640	Valvola inox	Valve	1	
12	1040630	Membranina	Diaphragm	1	Desmopan
	1040631	Membranina	Diaphragm	1	Gomma
13	880830	OR ø 15,54x2,62	O-Ring	4	▶
14	1040621	Pistone	Piston	1	
15	1150560	Distanziale molla	Spring spacer	1	
16	1150600	Rullino	Roller	2	
17	1150540	Perno	Pin	1	
18	1150510	Corpo superiore	Upper body	1	☒
20	780330	Vite TCEI M 6x20	Bolt	4	C ₁₀
21	1150530	Frontale	Plate	1	☒
22	394760	Molla	Spring	1	☒
23	1150550	Manopola rossa	Adjustment knob	1	
24	1150570	Ghiera carica molla	Ring nut	1	
26	130491	Rub. 3/8"-1/2" G (M) DX	Right valve	2	ex 30491 ◀
27	130171	Tappo 3/8" G	Plug	1	ex 30171 ☑
28	1150500	Corpo valvola	Valve body	1	
29	1150590	Staffa	Bracket	1	
30	390311	Rosetta øi 8,5	Washer	2	
31	180431	Vite TE M 8x16	Bolt	2	C ₂₀
32	1040770	Attacco 3/4" G (M)	Coupling	1	
34	1040790	Girello raccordo 3/4" G	Nut	2	
35	1150580	Portagomma ø 13	Hose tail	2	
36	1040760	Attacco 3/4" G	Coupling	1	
37	480550	Anello seeger	Circlip	1	
38	1150650	Vite TCTC M 3x60	Screw	1	◀ C ₅
39	110131	Racc. 1/2" G+tub. ø10	Fitting 1/2" G+hose ø10	3	ex 10131
40	1150660	Distanziale molla	Spring spacer	1	
41	130492	Rub. 3/8"-1/2" G (M) SX	Left valve	1	ex 30492 ◀

Pos.	Cod.	Descrizione	Description	Q.ty	Note
42	1040950	Copiglia	Split pin	1	
43	550370	Curva ø 25	Elbow	1	
44	550242	Girello 1" G	Ring nut	1	
45	550350	OR ø 23,81x2,62	O-Ring	1	
46	800720	Niples 3/4" G(F)-1" G(M)	Threaded adapter	1	◀
47	960160	OR ø 17,86x2,62	O-Ring	2	▶
48	1040810	Portagomma ø 13x24	Hose tail	2	
49	1040800	Ghiera raccordo	Ring nut	2	
50	110130	Racc. 1/2" G+tub. ø13	Fitting 1/2" G+hose ø13	1	
51	450145	Flangia raccordo	Flange	1	

◊ Non compreso nel RM 40 - No part of RM 40

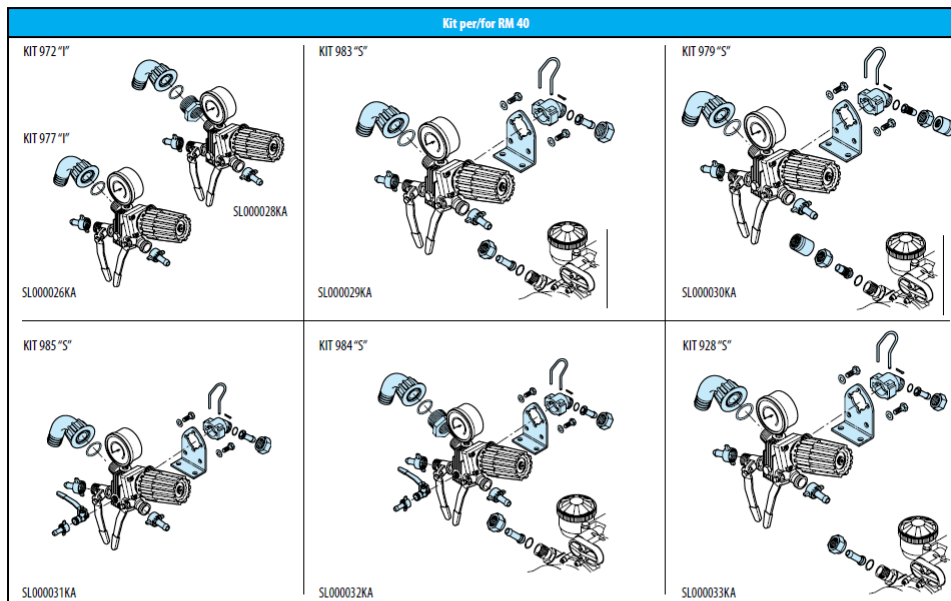
● Compresso nella pompa - Part of pump



KIT 1988 OR O-Rings			
Pos.	Q.ty	Pos.	Q.ty
4	2		
13	4		

KIT 1989 Pronto intervento Maintenance repair			
Pos.	Q.ty	Pos.	Q.ty
4	2	23	1
6	1	24	1
9	1	37	1
11	1	38	1
12	1	40	1
13	4	42	1
15	1		
17	1		
21	1		
22	1		

RM 40



Comando incorporato e separato - Build-in control unit and remote control

KIT 972 "I" Comando incorporato Build in control		KIT 977 "I" Comando incorporato Build in control	
Pos.	Q.ty	Pos.	Q.ty
39	3	1	1
43	1	3	1
44	1	13	4
45	1	39	3
46	1		
Per / for AR 713 AR 813		Per / for AR 503	

KIT 983 "S" Comando separato Remote control			
Pos.	Q.ty	Pos.	Q.ty
1	1	39	3
3	1	42	1
6	1	47	
13	4	2	
29	1		
30	2		
31	2		
32	1		
34	2		
35	2		
Per / for AR 503			

KIT 979 "S" Comando separato Remote control			
Pos.	Q.ty	Pos.	Q.ty
1	1	42	1
3	1	47	2
6	1	48	2
13	4	49	2
29	1		
30	2		
31	2		
32	1		
34	2		
39	3		
Per / for AR 503 - AR 713 - AR 813			

KIT 985 "S" Comando separato Remote control			
Pos.	Q.ty	Pos.	Q.ty
1	1	35	2
3	1	39	3
6	1	42	1
13	4	47	2
26	2		
29	1		
30	2		
31	2		
32	1		
34	2		
Per / for AR 30 - AR 50			

KIT 984 "S" Comando separato Remote control			
Pos.	Q.ty	Pos.	Q.ty
6	1	43	1
26	2	44	1
29	1	45	1
30	2	46	1
31	2	47	2
32	1		
34	2		
35	2		
39	3		
42	1		
Per / for AR 503 - AR 713 - AR 813			

KIT 928 "S" Comando separato Remote control			
Pos.	Q.ty	Pos.	Q.ty
1	1	39	3
3	1	42	1
6	1	47	2
13	4		
29	1		
30	2		
31	2		
32	1		
34	2		
35	2		
Per / for AR 503			

