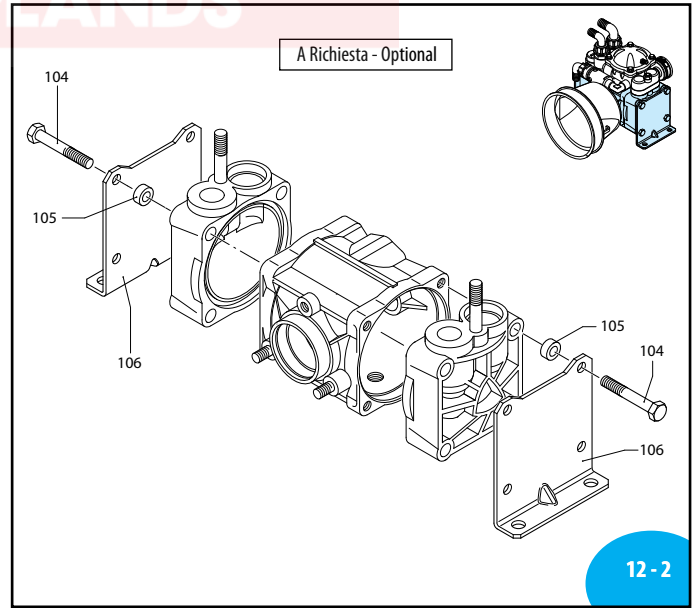
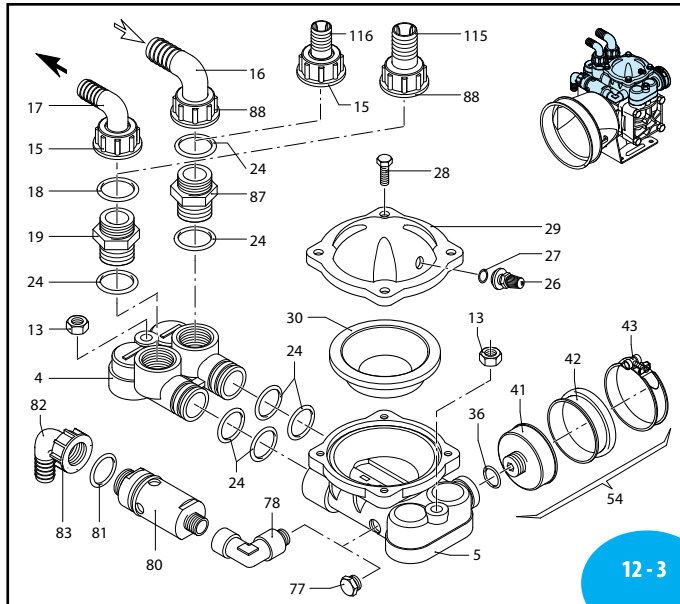


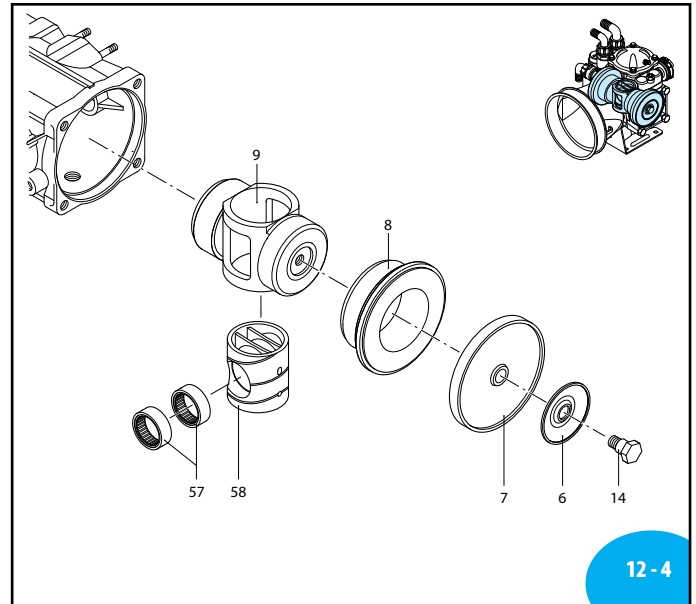
SLO00310-BU



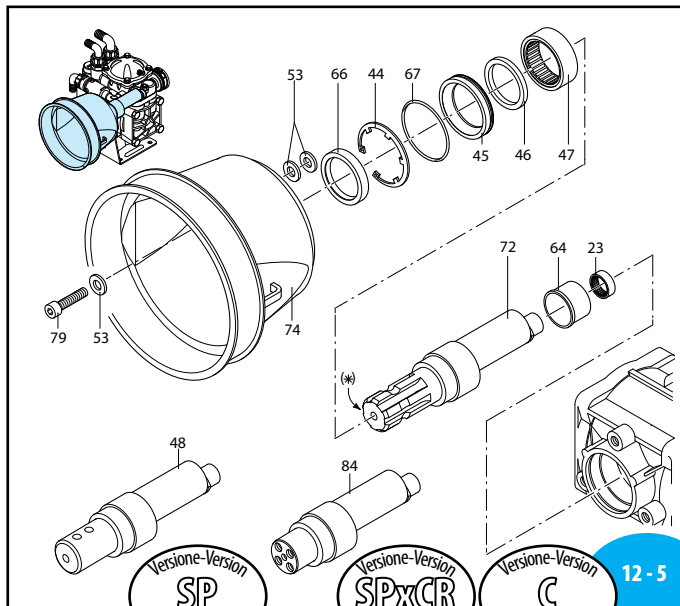
UN000796-ED



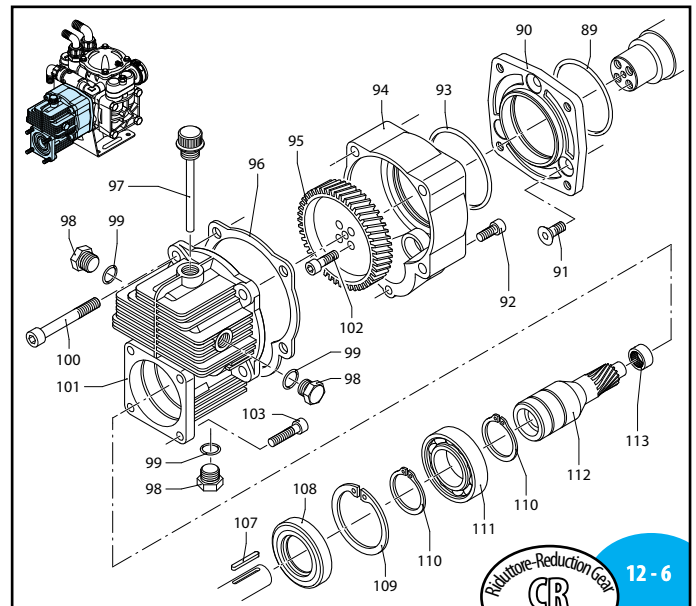
SLO00311-BU



UN000478-DD



UN000477-DD



UN000479-IC

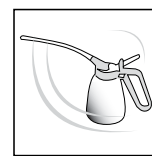
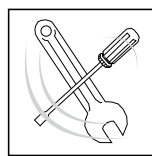
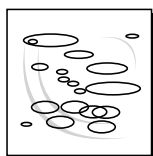
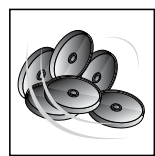
AR 70 bp

Pos.	Cod.	Descrizione	Description	Q.ty	Note
1	550011	Corpo pompa	Pump body	1	
2	550101	Testa valvola DX	Right head	1	
3	550102	Testa valvola SX	Left head	1	
4	550150	Attacco	Manifold	1	
5	550180	Semisfera inferiore	Lower air chamber	1	
6	580370	Piattello	Plate	2	(a)
	550080	Membrana	Diaphragm	2	Gomma
	550084	Membrana	Diaphragm	2	Viton
	550085	Membrana	Diaphragm	2	Desmopan
	550086	Membrana	Diaphragm	2	Hpds
8	550110	Camicia	Sleeve	2	
9	550120	Pistone	Piston	1	
10	320030	OR ø 31,5x4,5	O-Ring	4	90Sh ☒
11	750951	Valvola completa	Complete valve	4	
12	551040	Vite TE M 10x55	Bolt	8	Geomet C ₄₀
13	180152	Dado M 10	Nut	2	Geomet C ₄₀
14	580360	Perno membrana	Diaphragm pin	2	● C ₃₀
15	550880	Girello 1" G	Ring nut	1	
16	580040	Curva ø 30	Elbow	1	
17	550370	Curva ø 25	Elbow	1	
18	550350	OR ø 23,81x2,62	O-Ring	1	☒
19	550340	Nipples 1"G(M)-1"G(M)	Threaded adapter	1	
23	550310	Boccola a rullini	Roller bushing	1	↓
24	390290	OR ø 29x3	O-Ring	7	☒
26	550300	Valvola di gonfiaggio	Air valve	1	C ₃
27	650542	Guarnizione	Gasket	1	
28	550680	Vite TE M 8x20	Bolt	4	C ₂₀
29	550233	Semisfera superiore	Upper air chamber	1	Nera / Black
	550190	Semicamera aria	Semi air chamber	1	Gomma
	550191	Semicamera aria	Semi air chamber	1	Saturflon
	550192	Semicamera aria	Semi air chamber	1	Viton
	550193	Semicamera aria	Semi air chamber	1	H.P.D.S.
32	550057	Tappo serbatoio olio	Oil tank cap	1	Nero / Black
33	550040	OR ø 26,65x2,62	O-Ring	1	
34	550030	Serbatoio olio	Oil tank	1	
35	850851	Vite TCEI M 6x30	Bolt	2	C ₁₀
36	180101	OR ø 17,5x2	O-Ring	1	●
41	650661	Porta membrana	Diaphragm holder	1	●
42	650670	Membranina asp.	Suction diaphragm	1	
43	651670	Fascetta	Clamp	1	
44	200391	Anello seeger	Circlip	1	
45	550470	Bussola anello tenuta	Gasket retainer	1	
46	550070	Rondella tenuta	Spacer ring	1	
47	550060	Boccola a rullini	Roller bushing	1	↓
48	550170	Albero eccentrico "SP"	"SP" shaft	1	(AL)
52	200233	Rosetta øi 10,5	Washer	2	Geomet
53	320621	Rosetta øi 10,5	Washer	5	Geomet
54	659209	Prem. membranina asp.	Suct. diaphragm assembly	1	
57	550280	Boccola a rullini	Roller bushing	2	↓
58	550140	Cilindro traina pistone	Cylinder	1	☒

Pos.	Cod.	Descrizione	Description	Q.ty	Note
61	580080	Piede corpo pompa	Base	1	
62	540301	Vite TCEI M 10x30	Bolt	1	Geomet C ₄₀
64	550160	Distanziale	Spacer	1	
66	550491	Anello tenuta	Seal ring	1	☒
67	650920	OR ø 53,65x2,62	O-Ring	1	☒
68	880530	Tappo 3/8" G	Plug	1	C ₂₀
72	550173	Albero eccentrico "C"	"C" shaft	1	(AM)
74	1500350	Protezione cardano	Cardan protection	1	
75	550332	Rosetta øi 6,5	Washer	2	Geomet
76	740290	OR ø 14x1,78	O-Ring	1	▶
77	330173	Tappo 1/2" G	Plug	1	● C ₂₀
78	881560	Gomito 90° 1/2" G (M)-(F)	Elbow	1	■
79	620472	Vite TCEI M 10x20	Bolt	3	Geomet C ₃₀
80	1609000	Valvola di sicurezza	Safety valve	1	■
81	880831	OR ø 15,54x2,62	O-Ring	1	Viton
82	550460	Curva ø 18	Elbow	1	
83	550450	Girello 3/4" G	Ring nut	1	
84	550175	Albero eccentr. "CRxS"	"CRxS" shaft	1	(AN)
87	450120	Nipples 1"-1 1/4 G (M)-(M)	Threaded adapter	1	
88	550870	Girello 1 1/4 G	Ring nut	1	
89	580230	OR ø 69,52x2,62	O-Ring	1	▶
90	550920	Flangia	Flange	1	
91	550950	Vite TSEI M 10x25	Bolt	3	● C ₂₀
92	180030	Vite TCEI M 8x20	Bolt	1	C ₂₅
93	620561	OR ø 78x2,5	O-Ring	1	☒
94	621000	Coperchio riduttore	Gear cap	1	
95	550930	Ruota dentata	Gear	1	Z=64
96	620950	Guarnizione scatola	Gasket	1	
97	1140370	Tappo olio + OR	Oil plug & o-ring	1	
98	1980740	Tappo 3/8" G	Plug	3	Ottone/Brass ● C ₂₀
99	740290	OR ø 14x1,78	O-Ring	3	
100	621010	Vite TCEI M 10x75	Bolt	4	● C ₂₅
101	620960	Scatola riduttore	Gear box	1	
102	540290	Vite TCEI M 8x25	Bolt	4	● C ₂₅
103	651000	Vite TCEI 5/16"	Bolt	4	24UNFx1" C ₂₀
104	1300361	Vite TE M 10x65	Bolt	8	Geomet C ₄₀
105	551030	Distanziale piede	Spacer	8	
106	551020	Piede	Base	2	
107	881090	Linguetta	Key	1	
108	961800	Anello tenuta	Seal ring	1	☒
109	961790	Anello seeger	Circlip	1	
110	320240	Anello seeger	Circlip	2	
111	961780	Cuscinetto	Bearing	1	☒
112	621660	Pignone	Pinion	1	Z=11
113	620990	Cuscinetto	Bearing	1	☒
114	180101	OR ø 17,5x2	O-Ring	1	▶
115	550210	Portagomma ø 25	Hose tail	1	
116	392190	Portagomma ø 40	Hose tail	1	

Bassa Pressione
Low Pressure

1532 C10455MG



KIT 2361	
Membrane gomma Buna diaphragms	
KIT 2362	
Membrane HPDS HPDS diaphragms	
KIT 2363	
Membrane Desmopan Desmopan diaphragms	
Pos.	Q.ty
7	2

KIT 2364	
Valvole Valves	
Pos.	Q.ty
10	4
11	4

KIT 2365	
OR O-Rings	
Pos.	Q.ty
10	4
18	1
24	7
27	1
33	1
36	1
67	1
76	1

KIT 2366					
Pronto intervento membrane in gomma Maintenance repair buna diaphragm					
Pos.	Q.ty	Pos.	Q.ty	Pos.	Q.ty
6	1	24	7		
7	2	32	1		
10	4	33	1		
11	4	34	1		
14	1	36	1		
15	1	66	1		
16	1	87	1		
17	1	88	1		
18	1				
19	1				

Olio utilizzato Used oil	
Tipo - Type	Kg
Pompa-Pump SAE 30	1
Ridut.-Gear box SAE 30	0,26

NOTE

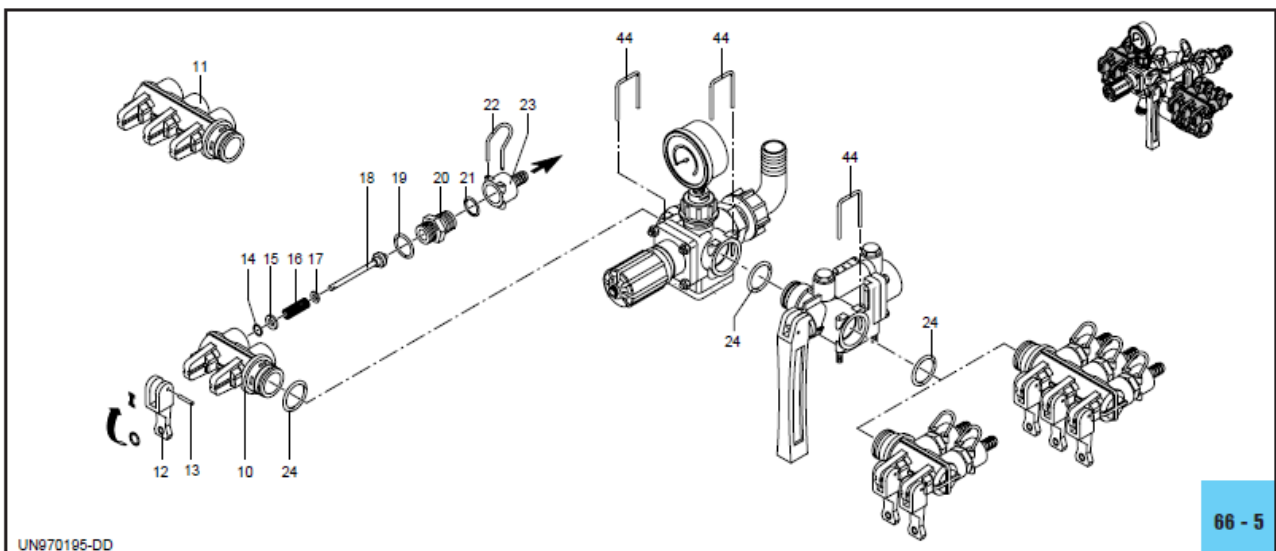
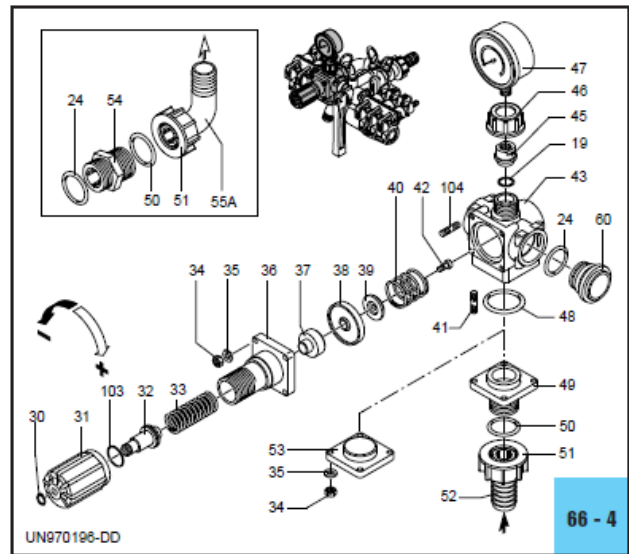
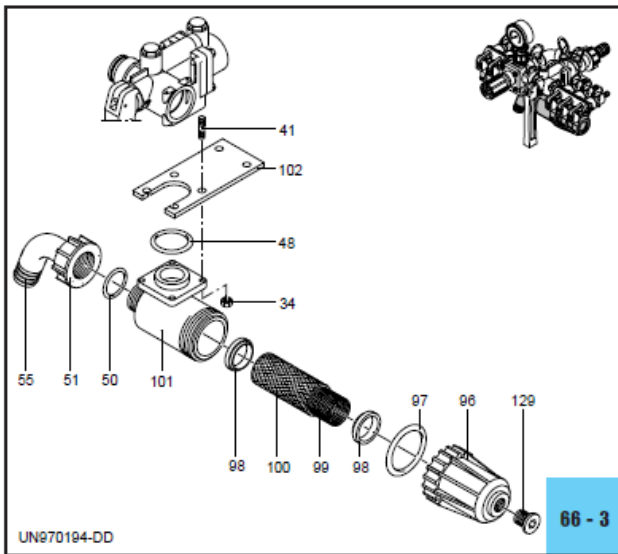
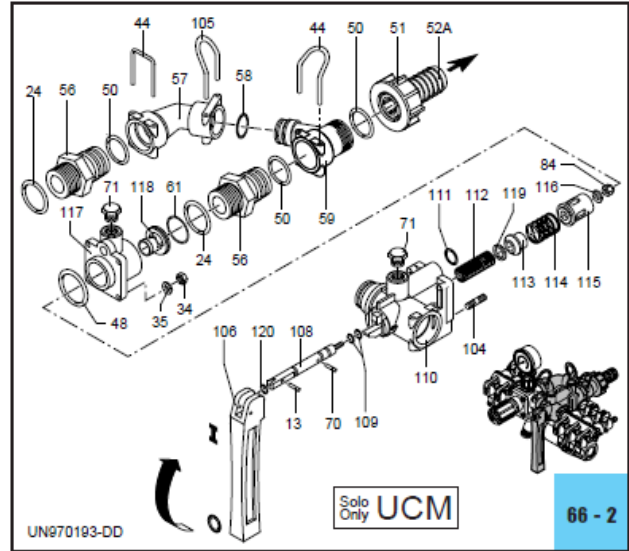
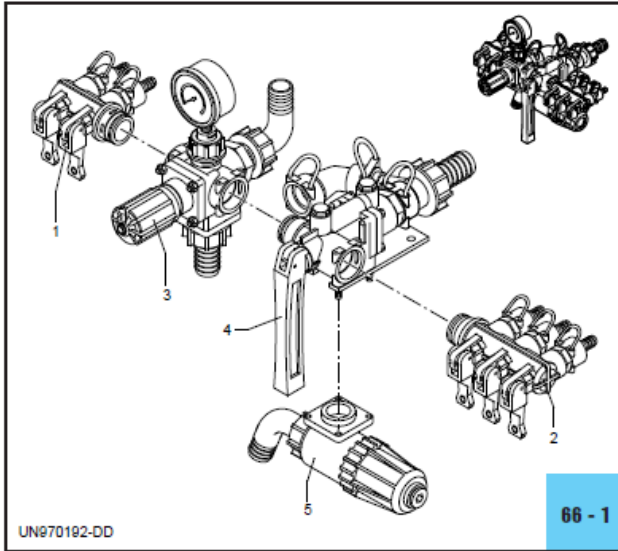
SOME PARTS ARE NON-STOCK ITEMS AND MAY NEED TO BE ORDERED

NOTE

PLEASE ADD PREFIX **AR** TO REFLECT CROPLANDS PART NUMBER

AR1320 – ECM 2 WAY

ECM - UCM



Pos.	Cod.	Descrizione	Description	Q.ty	Note
1	1547	Gruppo rub.2 vie SX	Left 2-way valve	1	Uscita/Outlet ø 12
	1548	Gruppo rub.3 vie SX	Left 3-way valve	1	Uscita/Outlet ø 12
2	1571	Gruppo rub.2 vie DX	Right 2-way valve	1	Uscita/Outlet ø 12
	1572	Gruppo rub.3 vie DX	Right 3-way valve	1	Uscita/Outlet ø 12
3	1348	Valvola reg.comp.ECM	ECM compl.reg.valve	1	
	1349	Valvola reg.comp.UCM	UCM compl.reg.valve	1	
4	1351	Corpo distributore+R	Distributor body+R	1	
5	1553	Gruppo filtro compl.	Complete filter	1	
10	394850	Corpo rubinetto 2 vie	2-way valve body	1	
11	394860	Corpo rubinetto 3 vie	3-way valve body	1	
12	394690	Leva rubinetto rossa	Red valve lever	4	
13	390330	Spina elastica	Pin	5	
14	390341	OR ø 5x2	O-Ring	4	
15	390312	Rosetta ø 6	Washer	4	
16	390300	Molla asta valvola	Spring	4	
17	390313	Rosetta ø 9	Washer	4	
18	390323	Asta valvola completa	Complete valve rod	4	
19	180101	OR ø 17,5x2	O-Ring	5	
20	392600	Niples sede 20x1,5	Threaded adapter	4	
	392604	Tappo	Plug	-	Optional
21	640070	OR ø 13,95x2,62	O-Ring	4	
22	392580	Forcella	Fork	4	
23	392870	Portagomma ø 10	Hose tail	4	
	392590	Portagomma ø 12	Hose tail	4	
	392620	Portagomma ø 20	Hose tail	4	
24	390291	OR ø 28,25x2,62	O-Ring	5	
30	480550	Anello seeger	Circlip	1	
31	394790	Manopola regolazione	Adjustment knob	1	
32	394770	Perno compr. molla	Spring pin	1	
33	1040830	Molla	Spring	1	
34	390440	Dado M 6	Nut	16	
35	550331	Rosetta ø 6,5	Washer	12	
36	394780	Corpo superiore	Upper body	1	
37	394751	Pistone	Piston	1	
38	394741	Membranina	Diaphragm	1	Gomma
	394740	Membranina	Diaphragm	1	Desmopan
	394742	Membranina	Diaphragm	1	Viton
39	394720	Valvola	Valve	1	
40	394730	Molla di contrasto	Spring	1	
41	394830	Prigioniero M 6x34	Stud	8	
42	680700	Vite TCEI M 6x20	Bolt	1	
43	394700	Corpo valvola reg.	Regulating valve body	1	
44	395530	Forcella	Fork	5	
45	394800	Attacco manometro	Pressure gauge attach.	1	
46	550450	Girello 3/4" G	Ring nut	1	
47	391240	Manometro ø 63	Pressure gauge	1	0-24 bar
48	660170	OR ø 31,42x2,62	O-Ring	3	
49	394810	Flangia entrata	Flange	1	
50	550350	OR ø 23,81x2,62	O-Ring	4	
51	550242	Girello 1" G	Ring nut	2	
52	550210	Tubetto ø 25	Hose tail	2	
53	394840	Flangia chiusura	Flange	1	
54	550340	Niples 1" G(M)-1" G(M)	Threaded adapter	1	
55	550370	Curva ø 25	Elbow	1	
56	395000	Niples collettore	Manifold nipples	2	
57	395520	Collettore corpo reg.	Body manifold	1	
58	390060	OR ø 20,63x2,62	O-Ring	1	
59	395020	Coll. corpo principale	Body manifold	1	
60	394870	Tappo chiusura lat.	Plug	1	
61	770260	OR ø 23,52x1,78	O-Ring	1	
70	392120	Spina elastica	Pin	1	
71	880581	Tappo 1/4" G	Plug	2	
84	395390	Dado M6	Nut	1	
96	396100	Coperchio filtro	Filter cover	1	
97	395081	OR ø 47,30x2,62	O-Ring	1	Viton
98	395071	Guarnizione filtro	Filter gasket	2	
99	396110	Filtro interno	Internal filter	1	
100	396130	Rete esterna	External grid	1	
101	395030	Scatola filtro	Filter box	1	
102	394820	Staffa	Bracket	1	
103	770130	OR ø 20,35x1,78	O-Ring	1	

Pos.	Cod.	Descrizione	Description	Q.ty	Note
104	392330	Prigioniero M 6x30	Stud	8	
105	850730	Forcella	Fork	1	
106	1660560	Leva comando	Control lever	1	
108	1660020	Asta valvola	Complete valve rod	1	
109	480561	OR ø 6,85x1,78	O-Ring	2	Viton
110	1660010	Corpo valvola reg.	Main valve	1	
111	1660230	OR ø 13x2	O-Ring	1	
112	1660541	Molla	Spring	1	
113	1660050	Valvola aliment.barra	Feed rod valve	1	
114	1660090	Molla	Spring	1	
115	1660080	Guida com. risucchio	Guide	1	
116	393790	Rosetta ø 6,4	Washer	1	
117	1660060	Flangia risucchio	Flange	1	
118	1660100	Sede risuc. ø 7 Rosso	Red seat	1	Vedi/See ●
	1660110	Sede risuc. ø 9 Arancio	Orange seat	1	Vedi/See ▲
	1660120	Sede risuc. ø 10,5 Blu	Blue seat	1	Vedi/See ■
119	1660140	Rondella	Washer	1	
120	1660551	OR ø 7x2	O-Ring	1	Viton
129	396590	Tappo 3/8" G+guarn.	Plug & gasket	1	

Nota: Le quantità espresse sono riferite alla versione a 4 rubinetti
Note: The quantities refer to the 4 valves version

● Per/For: AR 70 bp ● Per/For: AR 60 bp
▲ Per/For: AR 115-135 bp - AR 125-145 bp ▲ Per/For: AR 100 bp - AR 120 bp
■ Per/For: AR 160 bp ■ Per/For: AR 150 bp

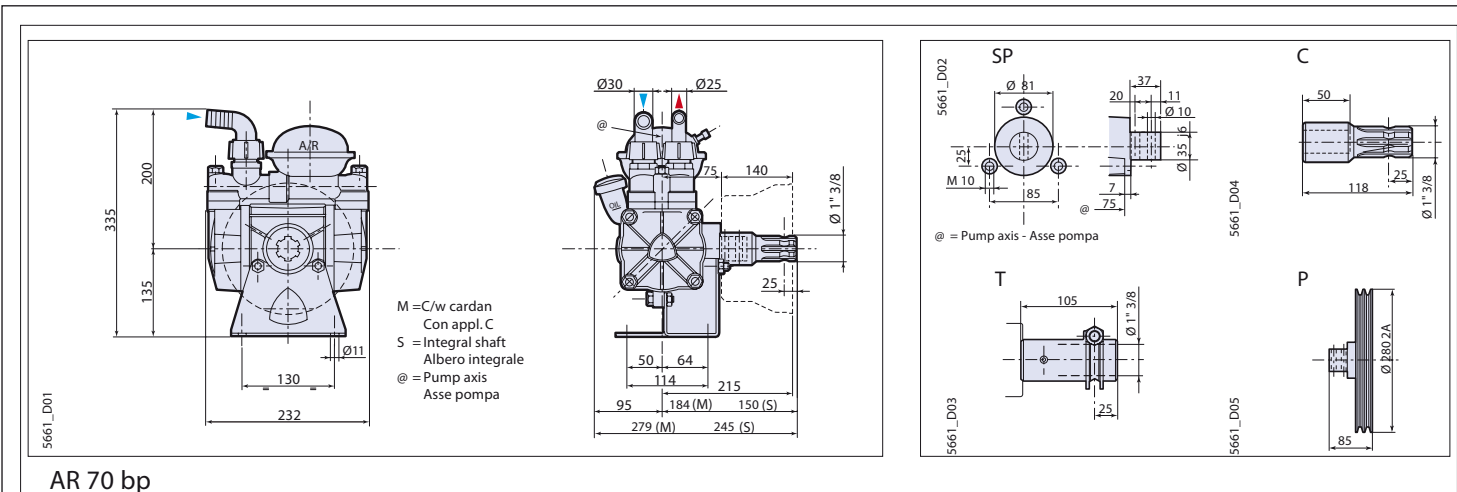


KIT 2346 OR O-Rings			
Pos.	Q.ty	Pos.	Q.ty
14	5	109	2
19	7	111	1
21	5	120	1
24	5		
48	3		
50	4		
58	1		
61	1		
97	1		
103	1		

KIT 2339 Pronto intervento Maintenance repair			
Pos.	Q.ty	Pos.	Q.ty
12	2	60	1
14	5	61	1
18	2	98	2
24	5	106	1
38	1	109	2
39	1	113	1
44	1	115	1
51	1	120	1
55	1		
58	1		

CROPLANDS PART NUMBERS: L-G1426 – ISOMETRIC GAUGE 63MM 25BAR ¼" BOTTOM ENTRY

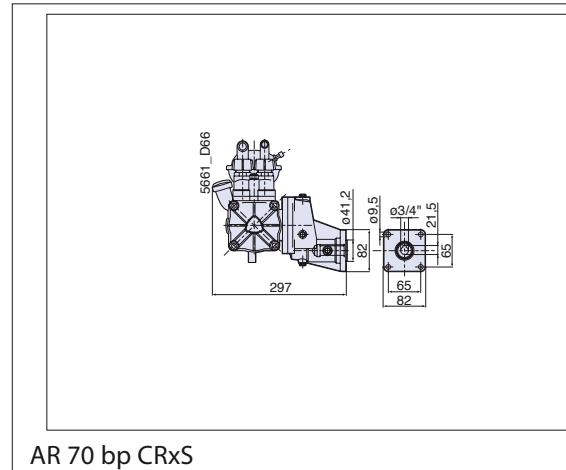




DIMENSIONS • DIMENSIONI 5661_D01

AR 70 bp	Pumps Pompe
----------	----------------

Please note: specifications are subject to change for improvement without notice.
© Apr 2007 by AnnoviReverberi spa



HONDA GX200



Engine Type	Air-cooled 4-stroke OHV
Bore x Stroke	68 X 54 mm
Displacement	196 cm³
Net Power Output*	5.5 HP (4.1 kW) @ 3,600 rpm
Net Torque	9.1 lb-ft (12.4 Nm) @ 2,500 rpm
PTO Shaft Rotation	Counterclockwise (from PTO shaft side)
Compression Ratio	8.5:1
Lamp/Charge coil options	25W, 50W / 1A, 3A, 7A
Carburetor	Butterfly
Ignition System	Transistorized magneto
Starting System	Recoil Starter
Lubrication System	Splash
Governor System	Mechanical
Air cleaner	Dual element
Oil Capacity	0.63 US qt (0.6l)
Fuel Tank Capacity	3.3 U.S. qts (3.1 liters)
Fuel	Unleaded 86 octane or higher
Dry Weight	35 lbs. (16.1 kg)

Dimensions

Length (min)	12.6" (321mm)
Width (min)	14.8" (376mm)
Height (min)	13.6" (346 mm)