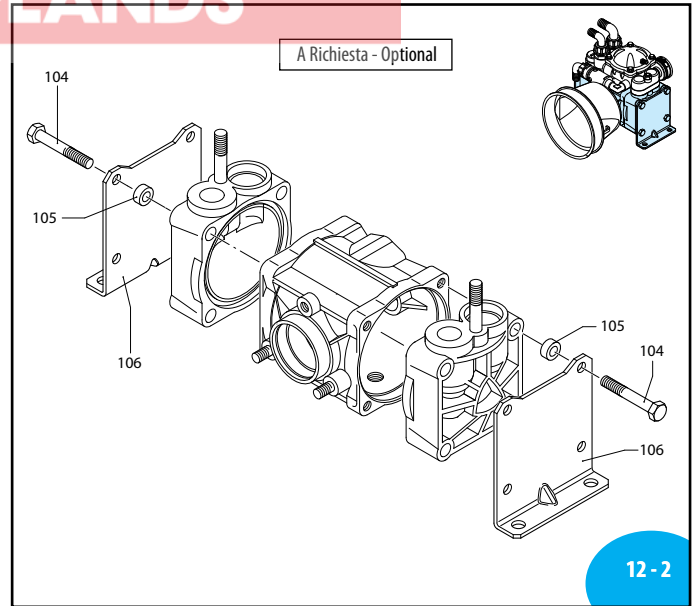
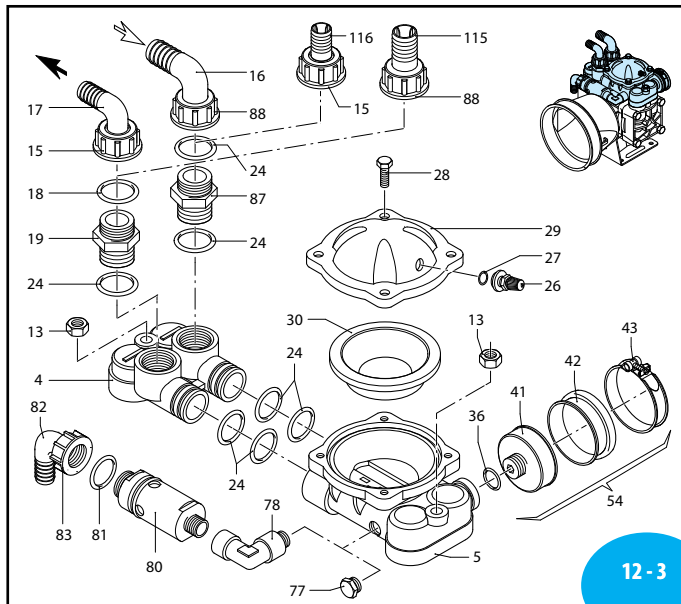


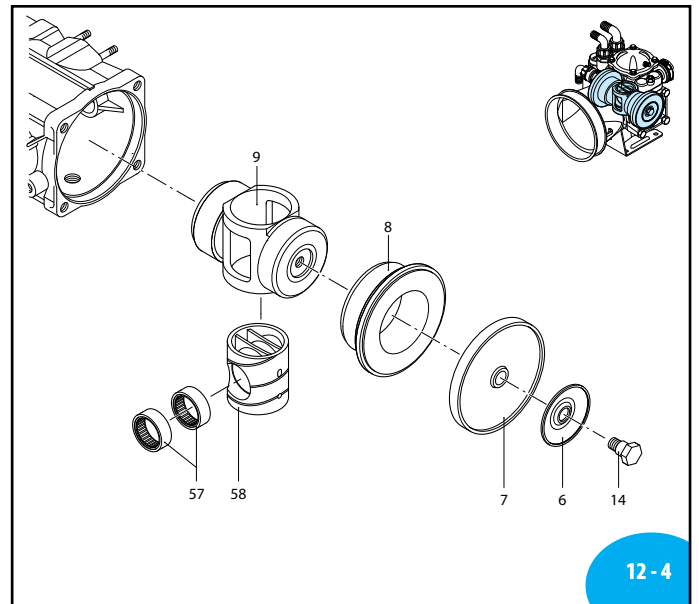
SLO00310-BU



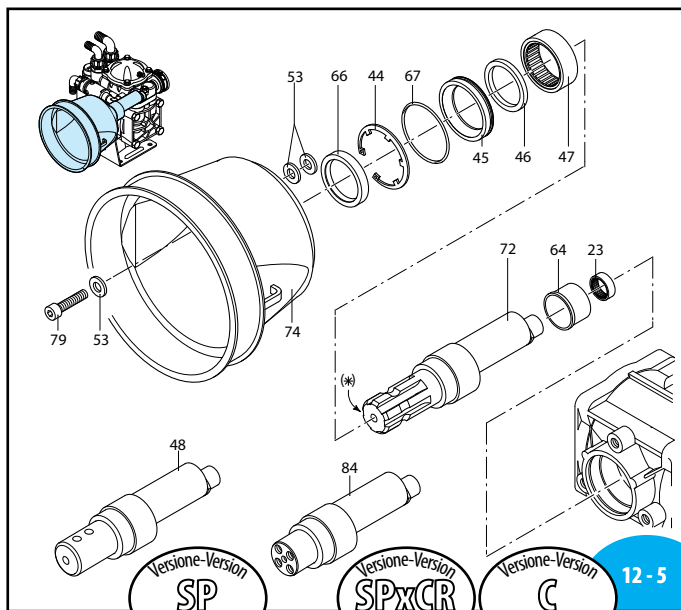
UN000796-ED



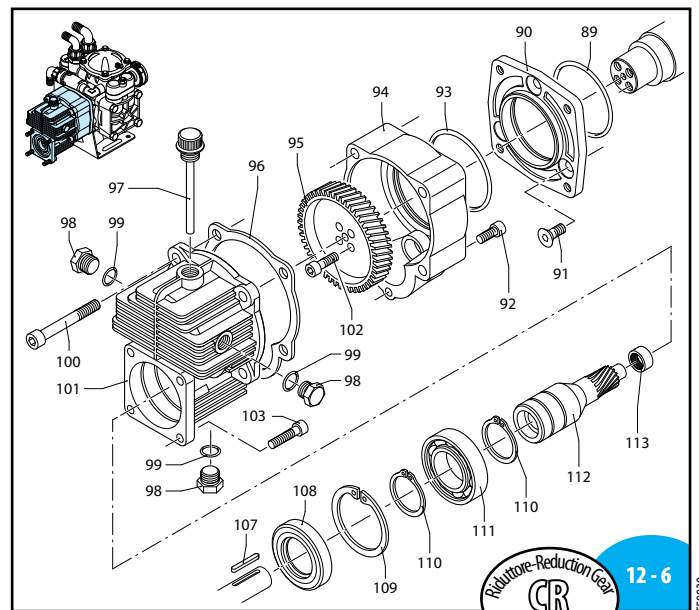
SLO00311-BU



UN000478-DD



UN000477-DD



UN000479-IC

Versione-Version
SP

Versione-Version
SPxCR

Versione-Version
C

Reduttore-Reduction Gear
CR

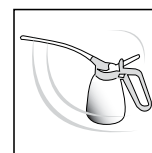
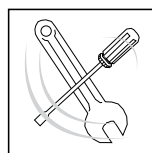
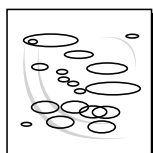
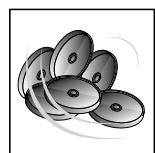
AR 70 bp

Pos.	Cod.	Descrizione	Description	Q.ty	Note
1	550011	Corpo pompa	Pump body	1	
2	550101	Testa valvola DX	Right head	1	
3	550102	Testa valvola SX	Left head	1	
4	550150	Attacco	Manifold	1	
5	550180	Semisfera inferiore	Lower air chamber	1	
6	580370	Piattello	Plate	2	(a)
	550080	Membrana	Diaphragm	2	Gomma
	550084	Membrana	Diaphragm	2	Viton
	550085	Membrana	Diaphragm	2	Desmopan
	550086	Membrana	Diaphragm	2	Hpds
8	550110	Camicia	Sleeve	2	
9	550120	Pistone	Piston	1	
10	320030	OR ø 31,5x4,5	O-Ring	4	90Sh ☒
11	759051	Valvola completa	Complete valve	4	
12	551040	Vite TE M 10x55	Bolt	8	Geomet C ₄₀
13	180152	Dado M 10	Nut	2	Geomet C ₄₀
14	580360	Perno membrana	Diaphragm pin	2	● C ₃₀
15	550880	Girello 1" G	Ring nut	1	
16	580040	Curva ø 30	Elbow	1	
17	550370	Curva ø 25	Elbow	1	
18	550350	OR ø 23,81x2,62	O-Ring	1	☒
19	550340	Nipples 1"G(M)-1"G(M)	Threaded adapter	1	
23	550310	Boccola a rullini	Roller bushing	1	↓
24	390290	OR ø 29x3	O-Ring	7	☒
26	550300	Valvola di gonfiaggio	Air valve	1	C ₃
27	650542	Guarnizione	Gasket	1	
28	550680	Vite TE M 8x20	Bolt	4	C ₂₀
29	550233	Semisfera superiore	Upper air chamber	1	Nera / Black
	550190	Semicamera aria	Semi air chamber	1	Gomma
	550191	Semicamera aria	Semi air chamber	1	Saturflon
	550192	Semicamera aria	Semi air chamber	1	Viton
	550193	Semicamera aria	Semi air chamber	1	H.P.D.S.
32	550057	Tappo serbatoio olio	Oil tank cap	1	Nero / Black
33	550040	OR ø 26,65x2,62	O-Ring	1	
34	550030	Serbatoio olio	Oil tank	1	
35	850851	Vite TCEI M 6x30	Bolt	2	C ₁₀
36	180101	OR ø 17,5x2	O-Ring	1	●
41	650661	Porta membrana	Diaphragm holder	1	●
42	650670	Membranina asp.	Suction diaphragm	1	
43	651670	Fascetta	Clamp	1	
44	200391	Anello seeger	Circlip	1	
45	550470	Bussola anello tenuta	Gasket retainer	1	
46	550070	Rondella tenuta	Spacer ring	1	
47	550060	Boccola a rullini	Roller bushing	1	↓
48	550170	Albero eccentrico "SP"	"SP" shaft	1	(AL)
52	200233	Rosetta øi 10,5	Washer	2	Geomet
53	320621	Rosetta øi 10,5	Washer	5	Geomet
54	659209	Prem. membranina asp.	Suct. diaphragm assembly	1	
57	550280	Boccola a rullini	Roller bushing	2	↓
58	550140	Cilindro traina pistone	Cylinder	1	☒

Pos.	Cod.	Descrizione	Description	Q.ty	Note
61	580080	Piede corpo pompa	Base	1	
62	540301	Vite TCEI M 10x30	Bolt	1	Geomet C ₄₀
64	550160	Distanziale	Spacer	1	
66	550491	Anello tenuta	Seal ring	1	☒
67	650920	OR ø 53,65x2,62	O-Ring	1	☒
68	880530	Tappo 3/8" G	Plug	1	C ₂₀
72	550173	Albero eccentrico "C"	"C" shaft	1	(AM)
74	1500350	Protezione cardano	Cardan protection	1	
75	550332	Rosetta øi 6,5	Washer	2	Geomet
76	740290	OR ø 14x1,78	O-Ring	1	▶
77	330173	Tappo 1/2" G	Plug	1	● C ₂₀
78	881560	Gomito 90° 1/2"G (M)-(F)	Elbow	1	■
79	620472	Vite TCEI M 10x20	Bolt	3	Geomet C ₃₀
80	1609000	Valvola di sicurezza	Safety valve	1	■
81	880831	OR ø 15,54x2,62	O-Ring	1	Viton
82	550460	Curva ø 18	Elbow	1	
83	550450	Girello 3/4" G	Ring nut	1	
84	550175	Albero eccentric. "CRxS"	"CRxS" shaft	1	(AN)
87	450120	Nipples 1"-1"1/4 G (M)-(M)	Threaded adapter	1	
88	550870	Girello 1"1/4 G	Ring nut	1	
89	580230	OR ø 69,52x2,62	O-Ring	1	▶
90	550920	Flangia	Flange	1	
91	550950	Vite TSEI M 10x25	Bolt	3	● C ₂₀
92	180030	Vite TCEI M 8x20	Bolt	1	C ₂₅
93	620561	OR ø 78x2,5	O-Ring	1	☒
94	621000	Coperchio riduttore	Gear cap	1	
95	550930	Ruota dentata	Gear	1	Z=64
96	620950	Guarnizione scatola	Gasket	1	
97	1140370	Tappo olio + OR	Oil plug & o-ring	1	
98	1980740	Tappo 3/8" G	Plug	3	Ottone/Brass ● C ₂₀
99	740290	OR ø 14x1,78	O-Ring	3	
100	621010	Vite TCEI M 10x75	Bolt	4	● C ₂₅
101	620960	Scatola riduttore	Gear box	1	
102	540290	Vite TCEI M 8x25	Bolt	4	● C ₂₅
103	651000	Vite TCEI 5/16"	Bolt	4	24UNFx1" C ₂₀
104	1300361	Vite TE M 10x65	Bolt	8	Geomet C ₄₀
105	551030	Distanziale piede	Spacer	8	
106	551020	Piede	Base	2	
107	881090	Linguetta	Key	1	
108	961800	Anello tenuta	Seal ring	1	☒
109	961790	Anello seeger	Circlip	1	
110	320240	Anello seeger	Circlip	2	
111	961780	Cuscinetto	Bearing	1	☒
112	621660	Pignone	Pinion	1	Z=11
113	620990	Cuscinetto	Bearing	1	☒
114	180101	OR ø 17,5x2	O-Ring	1	▶
115	550210	Portagomma ø 25	Hose tail	1	
116	392190	Portagomma ø 40	Hose tail	1	

Bassa Pressione
Low Pressure

1532 C10455MG



KIT 2361	
Membrane gomma Buna diaphragms	
KIT 2362	
Membrane HPDS HPDS diaphragms	
KIT 2363	
Membrane Desmopan Desmopan diaphragms	
Pos.	Q.ty
7	2

KIT 2364	
Valvole Valves	
Pos.	Q.ty
10	4
11	4

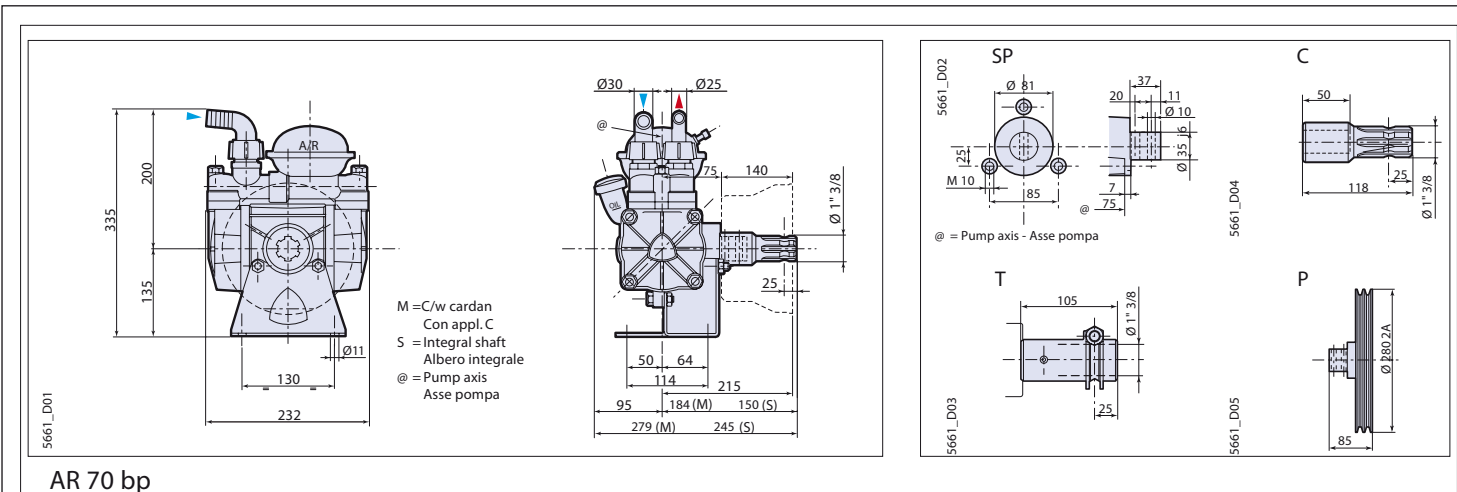
KIT 2365	
OR O-Rings	
Pos.	Q.ty
10	4
18	1
24	7
27	1
33	1
36	1
67	1
76	1

KIT 2366					
Pronto intervento membrane in gomma Maintenance repair buna diaphragm					
Pos.	Q.ty	Pos.	Q.ty	Pos.	Q.ty
6	1	24	7		
7	2	32	1		
10	4	33	1		
11	4	34	1		
14	1	36	1		
15	1	66	1		
16	1	87	1		
17	1	88	1		
18	1				
19	1				

Olio utilizzato Used oil	
Tipo - Type	Kg
Pompa-Pump SAE 30	1
Ridut.-Gear box SAE 30	0,26

NOTE
SOME PARTS ARE NON-STOCK ITEMS AND MAY NEED TO BE ORDERED

NOTE
PLEASE ADD PREFIX **AR** TO REFLECT CROPLANDS PART NUMBER



DIMENSIONS • DIMENSIONI 5661_D01

AR 70 bp	Pumps Pompe
----------	----------------

Please note: specifications are subject to change for improvement without notice.
© Apr 2007 by AnnoviReverberi spa

