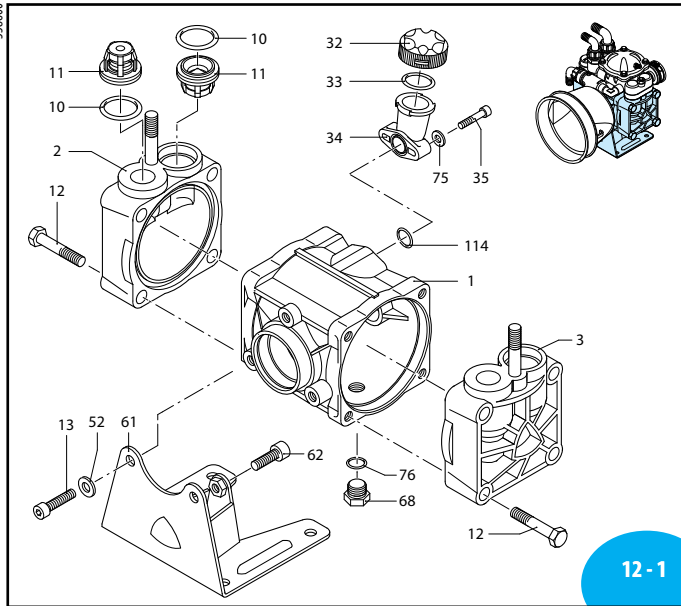
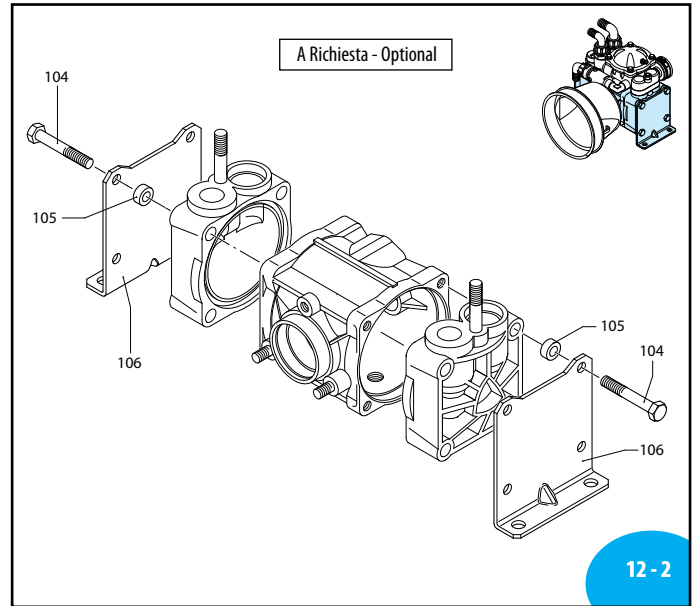


558600



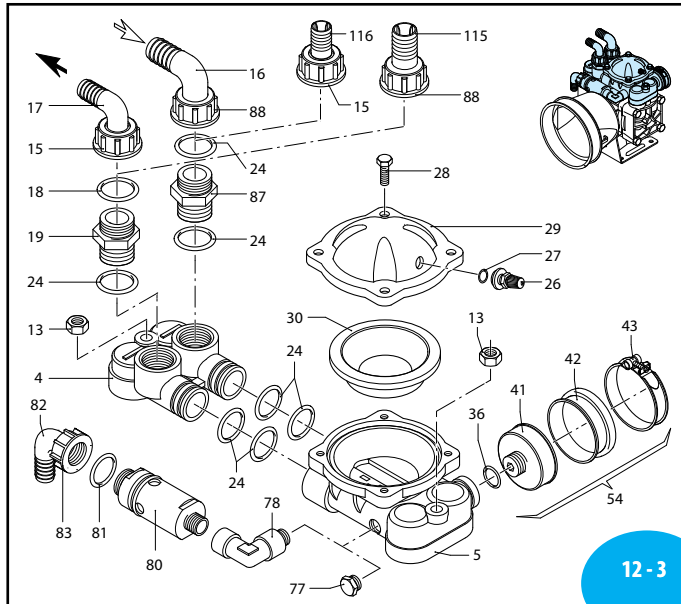
12-1

SLO00310-BU



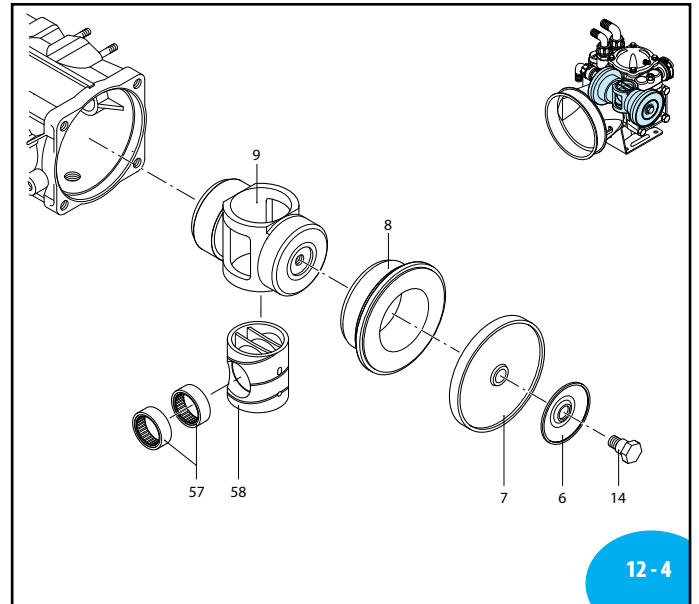
12-2

UN000796-ED



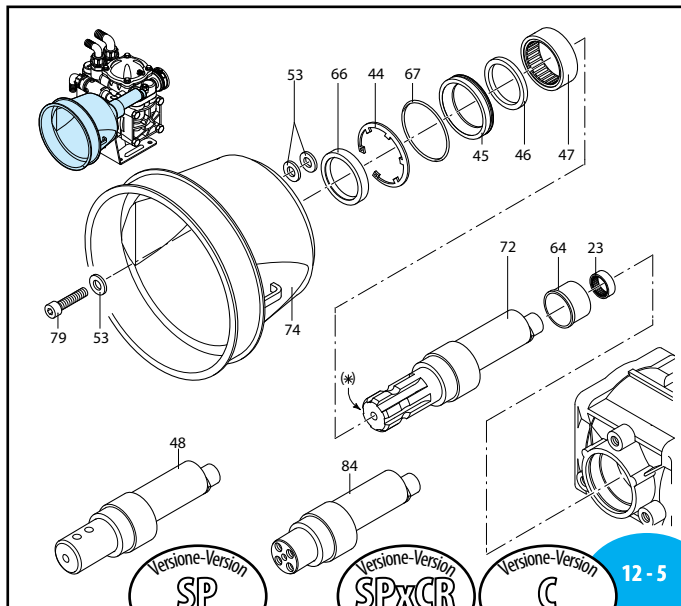
12-3

SLO00311-BU



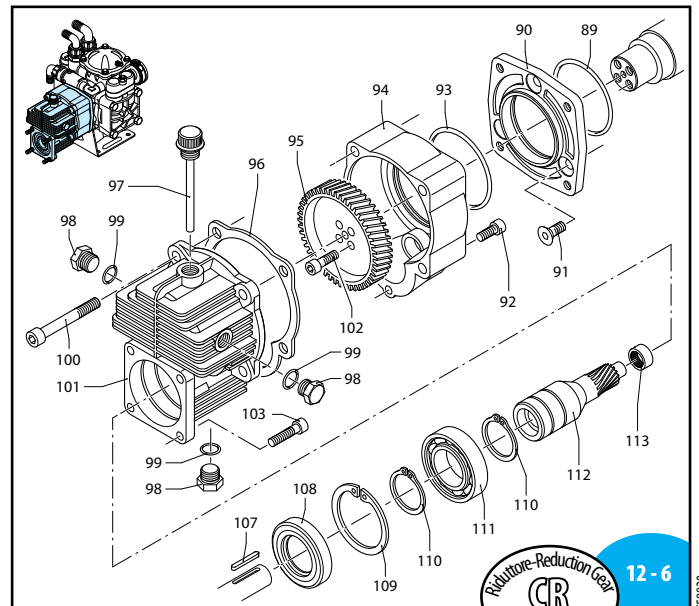
12-4

UN000478-DD



12-5

UN000477-DD



12-6

UN000479-IC

Versione-Version
SP

Versione-Version
SPxCR

Versione-Version
C

Reduttore-Reduction Gear
CR

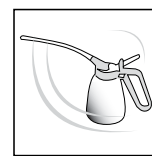
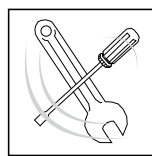
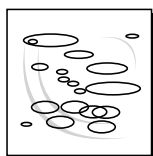
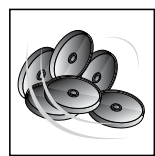
AR 70 bp

| Pos. | Cod. | Descrizione | Description | Q.ty | Note |
|------|--------|-------------------------|--------------------------|------|------------------------|
| 1 | 550011 | Corpo pompa | Pump body | 1 | |
| 2 | 550101 | Testa valvola DX | Right head | 1 | |
| 3 | 550102 | Testa valvola SX | Left head | 1 | |
| 4 | 550150 | Attacco | Manifold | 1 | |
| 5 | 550180 | Semisfera inferiore | Lower air chamber | 1 | |
| 6 | 580370 | Piattello | Plate | 2 | (a) |
| | 550080 | Membrana | Diaphragm | 2 | Gomma |
| | 550084 | Membrana | Diaphragm | 2 | Viton |
| | 550085 | Membrana | Diaphragm | 2 | Desmopan |
| | 550086 | Membrana | Diaphragm | 2 | Hpds |
| 8 | 550110 | Camicia | Sleeve | 2 | |
| 9 | 550120 | Pistone | Piston | 1 | |
| 10 | 320030 | OR ø 31,5x4,5 | O-Ring | 4 | 90Sh ☒ |
| 11 | 750951 | Valvola completa | Complete valve | 4 | |
| 12 | 551040 | Vite TE M 10x55 | Bolt | 8 | Geomet C ₄₀ |
| 13 | 180152 | Dado M 10 | Nut | 2 | Geomet C ₄₀ |
| 14 | 580360 | Perno membrana | Diaphragm pin | 2 | ● C ₃₀ |
| 15 | 550880 | Girello 1" G | Ring nut | 1 | |
| 16 | 580040 | Curva ø 30 | Elbow | 1 | |
| 17 | 550370 | Curva ø 25 | Elbow | 1 | |
| 18 | 550350 | OR ø 23,81x2,62 | O-Ring | 1 | ☒ |
| 19 | 550340 | Nipples 1"G(M)-1"G(M) | Threaded adapter | 1 | |
| 23 | 550310 | Boccola a rullini | Roller bushing | 1 | ↓ |
| 24 | 390290 | OR ø 29x3 | O-Ring | 7 | ☒ |
| 26 | 550300 | Valvola di gonfiaggio | Air valve | 1 | C ₃ |
| 27 | 650542 | Guarnizione | Gasket | 1 | |
| 28 | 550680 | Vite TE M 8x20 | Bolt | 4 | C ₂₀ |
| 29 | 550233 | Semisfera superiore | Upper air chamber | 1 | Nera / Black |
| | 550190 | Semicamera aria | Semi air chamber | 1 | Gomma |
| | 550191 | Semicamera aria | Semi air chamber | 1 | Saturflon |
| | 550192 | Semicamera aria | Semi air chamber | 1 | Viton |
| | 550193 | Semicamera aria | Semi air chamber | 1 | H.P.D.S. |
| 32 | 550057 | Tappo serbatoio olio | Oil tank cap | 1 | Nero / Black |
| 33 | 550040 | OR ø 26,65x2,62 | O-Ring | 1 | |
| 34 | 550030 | Serbatoio olio | Oil tank | 1 | |
| 35 | 850851 | Vite TCEI M 6x30 | Bolt | 2 | C ₁₀ |
| 36 | 180101 | OR ø 17,5x2 | O-Ring | 1 | ● |
| 41 | 650661 | Porta membrana | Diaphragm holder | 1 | ● |
| 42 | 650670 | Membranina asp. | Suction diaphragm | 1 | |
| 43 | 651670 | Fascetta | Clamp | 1 | |
| 44 | 200391 | Anello seeger | Circlip | 1 | |
| 45 | 550470 | Bussola anello tenuta | Gasket retainer | 1 | |
| 46 | 550070 | Rondella tenuta | Spacer ring | 1 | |
| 47 | 550060 | Boccola a rullini | Roller bushing | 1 | ↓ |
| 48 | 550170 | Albero eccentrico "SP" | "SP" shaft | 1 | (AL) |
| 52 | 200233 | Rosetta øi 10,5 | Washer | 2 | Geomet |
| 53 | 320621 | Rosetta øi 10,5 | Washer | 5 | Geomet |
| 54 | 659209 | Prem. membranina asp. | Suct. diaphragm assembly | 1 | |
| 57 | 550280 | Boccola a rullini | Roller bushing | 2 | ↓ |
| 58 | 550140 | Cilindro traina pistone | Cylinder | 1 | ☒ |

| Pos. | Cod. | Descrizione | Description | Q.ty | Note |
|------|---------|----------------------------|-------------------|------|--------------------------------|
| 61 | 580080 | Piede corpo pompa | Base | 1 | |
| 62 | 540301 | Vite TCEI M 10x30 | Bolt | 1 | Geomet C ₄₀ |
| 64 | 550160 | Distanziale | Spacer | 1 | |
| 66 | 550491 | Anello tenuta | Seal ring | 1 | ☒ |
| 67 | 650920 | OR ø 53,65x2,62 | O-Ring | 1 | ☒ |
| 68 | 880530 | Tappo 3/8" G | Plug | 1 | C ₂₀ |
| 72 | 550173 | Albero eccentrico "C" | "C" shaft | 1 | (AM) |
| 74 | 1500350 | Protezione cardano | Cardan protection | 1 | |
| 75 | 550332 | Rosetta øi 6,5 | Washer | 2 | Geomet |
| 76 | 740290 | OR ø 14x1,78 | O-Ring | 1 | ▶ |
| 77 | 330173 | Tappo 1/2" G | Plug | 1 | ● C ₂₀ |
| 78 | 881560 | Gomito 90° 1/2" G (M)-(F) | Elbow | 1 | ■ |
| 79 | 620472 | Vite TCEI M 10x20 | Bolt | 3 | Geomet C ₃₀ |
| 80 | 1609000 | Valvola di sicurezza | Safety valve | 1 | ■ |
| 81 | 880831 | OR ø 15,54x2,62 | O-Ring | 1 | Viton |
| 82 | 550460 | Curva ø 18 | Elbow | 1 | |
| 83 | 550450 | Girello 3/4" G | Ring nut | 1 | |
| 84 | 550175 | Albero eccentric. "CRxS" | "CRxS" shaft | 1 | (AN) |
| 87 | 450120 | Nipples 1"-1 1/4 G (M)-(M) | Threaded adapter | 1 | |
| 88 | 550870 | Girello 1 1/4 G | Ring nut | 1 | |
| 89 | 580230 | OR ø 69,52x2,62 | O-Ring | 1 | ▶ |
| 90 | 550920 | Flangia | Flange | 1 | |
| 91 | 550950 | Vite TSEI M 10x25 | Bolt | 3 | ● C ₂₀ |
| 92 | 180030 | Vite TCEI M 8x20 | Bolt | 1 | C ₂₅ |
| 93 | 620561 | OR ø 78x2,5 | O-Ring | 1 | ☒ |
| 94 | 621000 | Coperchio riduttore | Gear cap | 1 | |
| 95 | 550930 | Ruota dentata | Gear | 1 | Z=64 |
| 96 | 620950 | Guarnizione scatola | Gasket | 1 | |
| 97 | 1140370 | Tappo olio + OR | Oil plug & o-ring | 1 | |
| 98 | 1980740 | Tappo 3/8" G | Plug | 3 | Ottone/Brass ● C ₂₀ |
| 99 | 740290 | OR ø 14x1,78 | O-Ring | 3 | |
| 100 | 621010 | Vite TCEI M 10x75 | Bolt | 4 | ● C ₂₅ |
| 101 | 620960 | Scatola riduttore | Gear box | 1 | |
| 102 | 540290 | Vite TCEI M 8x25 | Bolt | 4 | ● C ₂₅ |
| 103 | 651000 | Vite TCEI 5/16" | Bolt | 4 | 24UNFx1" C ₂₀ |
| 104 | 1300361 | Vite TE M 10x65 | Bolt | 8 | Geomet C ₄₀ |
| 105 | 551030 | Distanziale piede | Spacer | 8 | |
| 106 | 551020 | Piede | Base | 2 | |
| 107 | 881090 | Linguetta | Key | 1 | |
| 108 | 961800 | Anello tenuta | Seal ring | 1 | ☒ |
| 109 | 961790 | Anello seeger | Circlip | 1 | |
| 110 | 320240 | Anello seeger | Circlip | 2 | |
| 111 | 961780 | Cuscinetto | Bearing | 1 | ☒ |
| 112 | 621660 | Pignone | Pinion | 1 | Z=11 |
| 113 | 620990 | Cuscinetto | Bearing | 1 | ☒ |
| 114 | 180101 | OR ø 17,5x2 | O-Ring | 1 | ▶ |
| 115 | 550210 | Portagomma ø 25 | Hose tail | 1 | |
| 116 | 392190 | Portagomma ø 40 | Hose tail | 1 | |

Bassa Pressione
Low Pressure

1532 C10455MG



| KIT 2361 | |
|---------------------------------------|------|
| Membrane gomma Buna diaphragms | |
| KIT 2362 | |
| Membrane HPDS HPDS diaphragms | |
| KIT 2363 | |
| Membrane Desmopan Desmopan diaphragms | |
| Pos. | Q.ty |
| 7 | 2 |

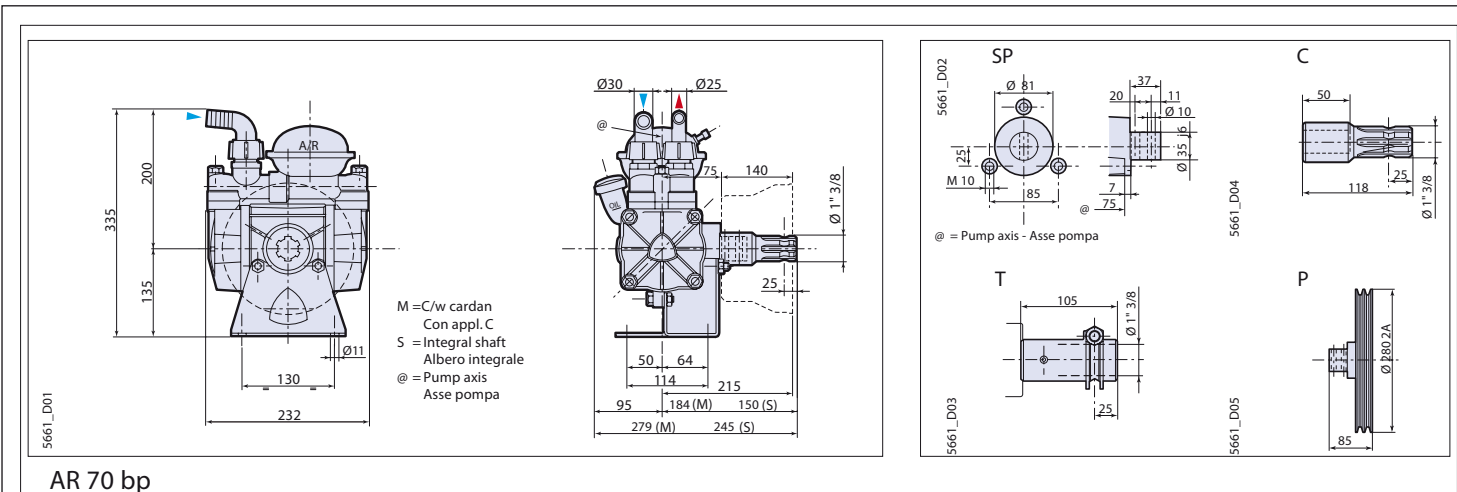
| KIT 2364 | |
|----------------|------|
| Valvole Valves | |
| Pos. | Q.ty |
| 10 | 4 |
| 11 | 4 |

| KIT 2365 | |
|------------|------|
| OR O-Rings | |
| Pos. | Q.ty |
| 10 | 4 |
| 18 | 1 |
| 24 | 7 |
| 27 | 1 |
| 33 | 1 |
| 36 | 1 |
| 67 | 1 |
| 76 | 1 |

| KIT 2366 | | | | | |
|-------------------------------------|------|------|------|------|------|
| Pronto intervento membrane in gomma | | | | | |
| Maintenance repair buna diaphragm | | | | | |
| Pos. | Q.ty | Pos. | Q.ty | Pos. | Q.ty |
| 6 | 1 | 24 | 7 | | |
| 7 | 2 | 32 | 1 | | |
| 10 | 4 | 33 | 1 | | |
| 11 | 4 | 34 | 1 | | |
| 14 | 1 | 36 | 1 | | |
| 15 | 1 | 66 | 1 | | |
| 16 | 1 | 87 | 1 | | |
| 17 | 1 | 88 | 1 | | |
| 18 | 1 | | | | |
| 19 | 1 | | | | |

| Olio utilizzato | |
|------------------------|------|
| Used oil | |
| Tipo - Type | Kg |
| Pompa-Pump SAE 30 | 1 |
| Ridut.-Gear box SAE 30 | 0,26 |

(a) Montare con GRASSO PG 54 fra piattello e membrana
(a) During assembling use PG 54 GREASE between plate and diaphragm



DIMENSIONS • DIMENSIONI 5661_D01

| | |
|----------|----------------|
| AR 70 bp | Pumps Pompe |
|----------|----------------|

Please note: specifications are subject to change for improvement without notice.
© Apr 2007 by AnnoviReverberi spa

