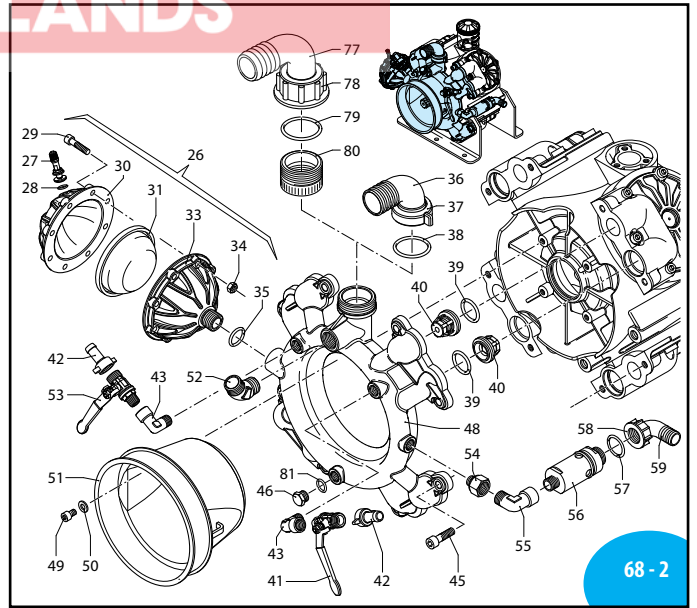


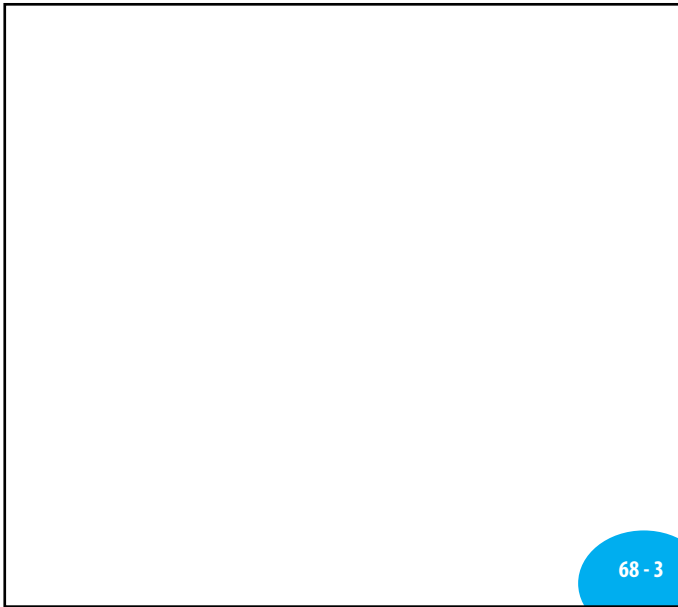
68 - 1

UN000524-CD

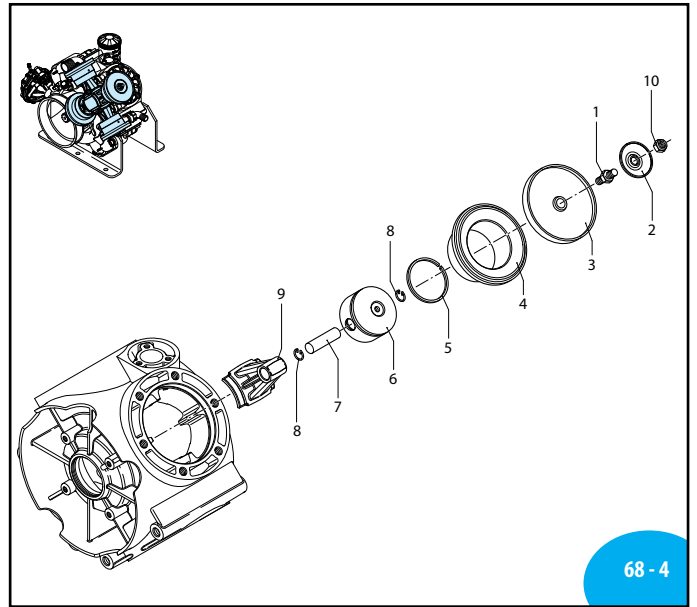


68 - 2

SL000111-GY

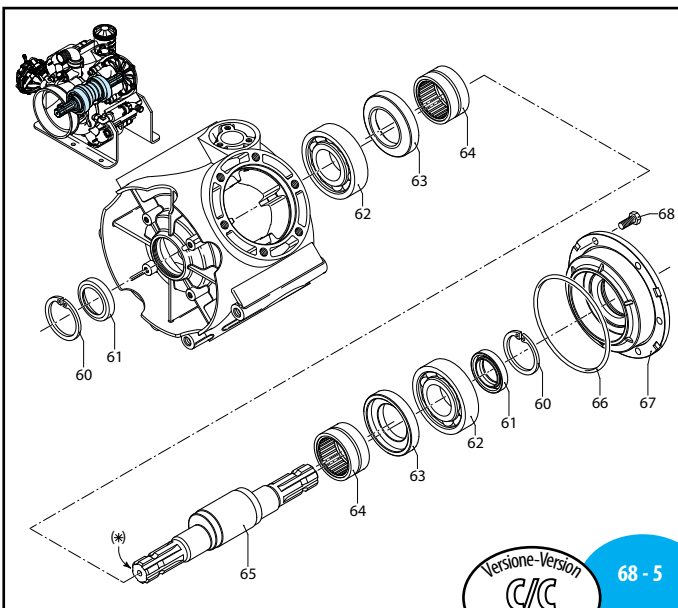


68 - 3



68 - 4

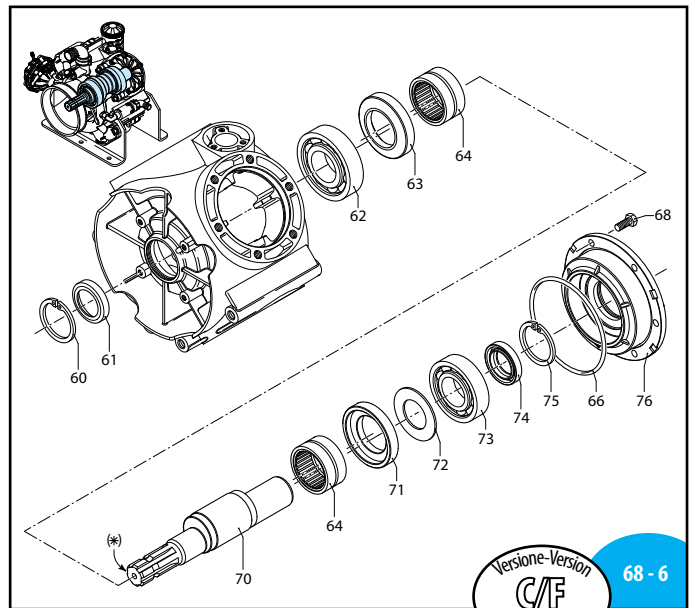
UN000526-HE



68 - 5

Versione-Version
C/C

UN000646-CD



68 - 6

Versione-Version
C/F

UN000647-CD

(Ø 1"3/8 / Ø 32)

BHS 170 - BHS 200

Pos.	Cod.	Descrizione	Description	Q.ty	Note
1	2240100	Perno membrana	Diaphragm pin	4	■ C ₃₀
2	580090	Piastra di richiamo	Plate	4	
3	2240080	Membrana	Diaphragm	4	Gomma
	2240085	Membrana	Diaphragm	4	Desmopan
4	2240560	Camicia	Sleeve	4	BHS 170
	2240520	Camicia	Sleeve	4	BHS 200
5	2240570	Segmento	Piston ring	4	BHS 170
	2240360	Segmento	Piston ring	4	BHS 200
6	2240550	Pistone	Piston	4	BHS 170
	2240350	Pistone	Piston	4	BHS 200
7	2240580	Spinotto	Piston pin	4	BHS 170
	540070	Spinotto	Piston pin	4	BHS 200
8	160691	Anellino spinotto	Pin ring	8	
9	2380050	Biella	Connecting rod	4	
10	2240110	Dado M 10	Nut	4	C ₃₀
11	1800060	Tappo serbatoio nero	Black oil tank cap	1	BHS 170
	750050	Tappo serbatoio rosso	Red oil tank cap	1	BHS 200
12	1040060	OR ø 72,69x2,62	O-Ring	1	▶
14	540290	Vite TCEI M 8x25	Bolt	3	C ₁₀
15	2240070	Serbatoio olio	Oil tank	1	
16	2240270	OR ø 67,95x2,62	O-Ring	1	☒
17	2380011	Corpo pompa	Pump body	1	
18	2240030	Testa DX	Right head	2	
19	2240180	Vite TE M 12x50	Bolt	20	C ₅₀
20	2240220	Vite TE M 12x65	Bolt	4	C ₅₀
21	180101	OR ø 17,5x2	O-Ring	1	▶
22	2380040	Piede posteriore	Base	1	
23	2380060	Vite TCEI M 14x35	Bolt	8	☉ C ₅₀
24	820361	Tappo 1/2" G	Cap	1	Ottone C ₂₀
25	2240031	Testa SX	Left head	2	
26	1529	Camera aria completa	Complete air chamber	1	
27	180020	Valvola di gonfiaggio	Air valve	1	C ₄
28	650542	Guarnizione	Gasket	1	▶
29	680350	Vite TCEI M 8x35	Bolt	8	C ₂₀
30	2240300	Semicamera superiore	Upper air chamber	1	
31	550190	Semicamera aria	Semi air chamber	1	
32	2380030	Piede anteriore	Base	1	
33	2240310	Semicamera inferiore	Lower air chamber	1	■
34	380240	Dado M 8	Nut	8	C ₂₀
35	720030	OR ø 22,22x2,62	O-Ring	1	▶
36	2240211	Curva ø 40	Elbow	1	
37	2240200	Girello 1" 3/4 G	Ring nut	1	
38	390210	OR ø 39,69x3,53	O-Ring	1	▶
39	680070	OR ø 31,5x4,25	O-Ring	8	▶▶
40	759051	Valvola completa	Complete valve	8	☒
41	130491	Rub. 3/8"-1/2" G (M) DX	Right valve	1	☉ C ₂₀
42	110130	Racc.1/2" G + tub. ø13	Fitting 1/2" G + hose ø13	2	
43	2240260	Curva rubinetto	Valve elbow	2	C ₂₀

Pos.	Cod.	Descrizione	Description	Q.ty	Note
45	650330	Vite TCEI M 10x35	Bolt	8	C ₄₀
46	880530	Tappo 3/8" G	Cap	1	C ₂₀
48	2380020	Cond. aspiraz./mandata	Manifold	1	▶
49	850250	Vite TCEI M 8x12	Bolt	4	C ₁₀
50	390311	Rosetta øi 8,5	Washer	4	
51	1500470	Protezione cardano	Cardan protection	1	
52	851650	Curva di mandata	Outlet elbow	1	☉
53	130492	Rub. 3/8"-1/2" G (M) SX	Left valve	1	☉ C ₂₀
54	881461	Manic. 3/8"-1/2" G (M)-(F)	Threaded adapter	1	☉
55	881560	Gomito 90° 1/2" G (M)-(F)	Elbow	1	☉
56	1609002	Valvola di sicurezza	Safety valve	1	■
57	880831	OR ø 15,54x2,62	O-Ring	1	▶
58	550450	Girello 3/4" G	Ring nut	1	
59	550460	Curva ø 18	Elbow	1	
60	2240160	Anello seeger	Circlip	2	
61	2240150	Anello tenuta	Seal ring	2	
62	2240430	Cuscinetto	Bearing	2	↓
63	2240121	Anello biella	Con rod ring	2	
64	850320	Cuscinetto a rullini	Roller bearing	2	
65	2240173	Albero eccentrico "C/C"	"C/C" shaft	1	(BE)
66	2240290	OR ø 152,7x2,62	O-Ring	1	☒
67	2240020	Flangia supp. cuscinetto	Flange	1	↓
68	160670	Vite TE M 10x25	Bolt	6	☉ C ₄₀
70	2240620	Albero eccentrico "C/F"	"C/F" shaft	1	ø 32 (DH)
	2240410	Albero eccentrico "C/F"	"C/F" shaft	1	ø 1" 3/8 (BG)
71	2240390	Anello biella	Con rod ring	1	
72	2240400	Anello	Ring	1	
73	2240380	Cuscinetto	Bearing	1	↓
74	1800090	Anello tenuta	Seal ring	1	
75	620330	Anello seeger	Circlip	1	
76	2240610	Flangia supp. cuscinetto	Flange	1	ø 32
	2240370	Flangia supp. cuscinetto	Flange	1	ø 1" 3/8 ↓
77	760020	Curva ø 50	Elbow	1	Optional
78	760040	Girello 2" G	Ring nut	1	Optional
79	620210	OR ø 40,95x2,62	O-Ring	1	Optional
80	2380080	Niples 2"-1" 3/4 G (M)-(F)	Threaded adapter	1	Optional
81	740291	OR ø 14x1,78	O-Ring	1	

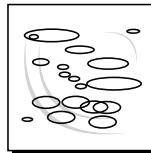
Alta Pressione in ottone
High Pressure brass



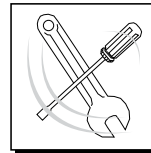
KIT 2456	
Membrane gomma Buna diaphragms	
Pos.	Q.ty
3	4



KIT 2374	
Valvole Valves	
Pos.	Q.ty
39	8
40	8



KIT 2457	
OR O-Rings	
Pos.	Q.ty
12	1
16	1
21	1
35	1
38	1
39	8
57	1
66	1



KIT 2467					
Pronto intervento Maintenance repair					
Pos.	Q.ty	Pos.	Q.ty	Pos.	Q.ty
1	2	39	8		
2	2	40	8		
3	4	61	2		
10	2	66	1		
12	1	74	1		
15	1				
16	1				
21	1				
35	1				
38	1				



Olio utilizzato Used oil	
Tipo - Type	Kg
SAE 30	3,2

NOTE

SOME PARTS ARE NON-STOCK
ITEMS AND MAY NEED TO BE
ORDERED

NOTE

PLEASE ADD PREFIX **AR**
TO REFLECT CROPLANDS
PART NUMBER