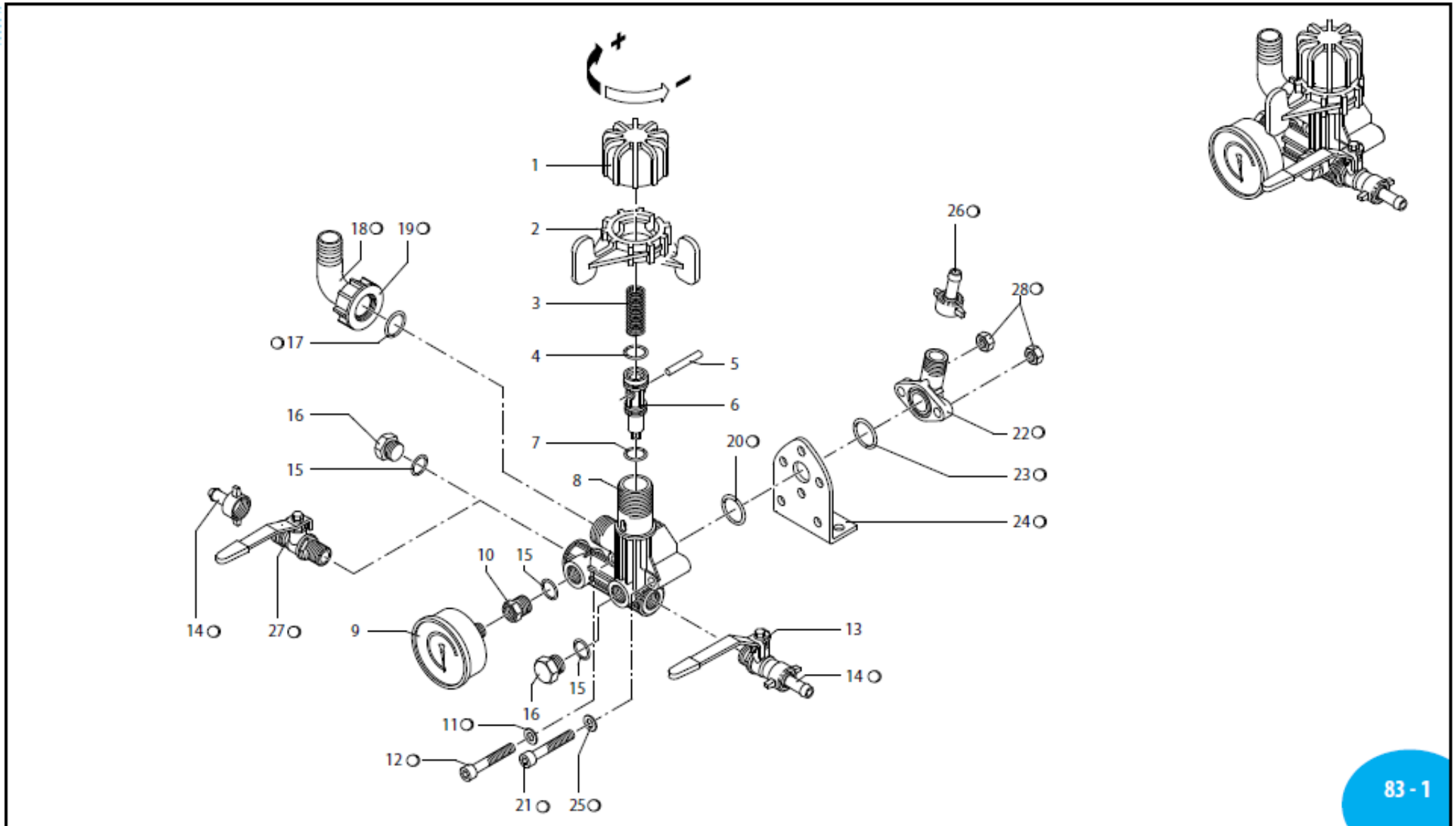


ARGR30

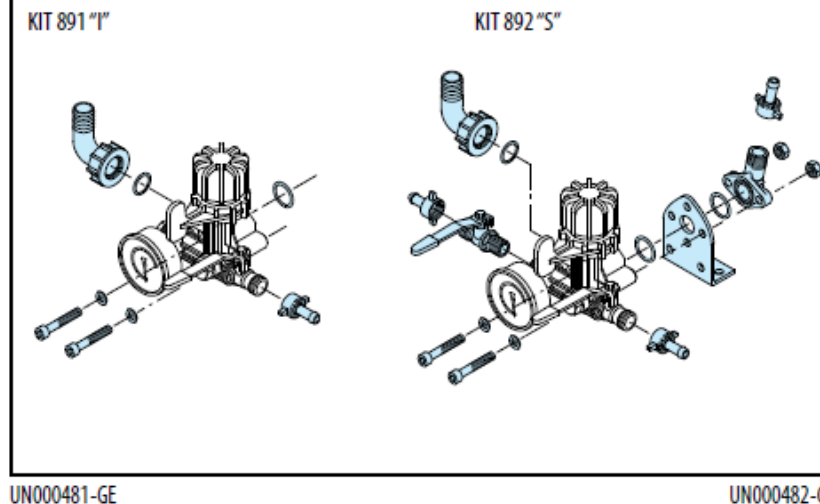


Pos.	Cod.	Descrizione	Description	Q.ty	Note
1	1880220	Manopola	Adjustment knob	1	
2	1880210	Ghiera sgancio press.	Ring nut	1	
3	1880331	Molla	Spring	1	☒
4	480441	OR ø 17,13x2,62	O-Ring	1	Viton ☒
5	1880240	Spinotto	Pin	1	☒
6	1889201	Otturatore	Jet	1	
7	1880260	OR ø 15,08x2,62	O-Ring	1	
8	1880200	Corpo valvola	Valve body	1	
9	1880340	Manometro	Pressure gauge	1	☒ C ₁₀
10	1880250	Riduzione manometro	Pipe reducer	1	☒ C ₁₀
11	550331	Rosetta øi 6,5	Washer	2	
12	801080	Vite TCEI M 6x50	Bolt	2	C ₁₀
13	1880491	Rub. 3/8"-1/2" (M) DX	Right valve	1	Leva rossa ☒ C ₁₀
14	110131	Racc. 1/2"G+tub. ø10	Fitting 1/2"G+hose ø10	3	
15	740290	OR ø 14x1,78	O-Ring	3	
16	2841240	Tappo	Plug	2	C ₁₀
17	880830	OR ø 15,54x2,62	O-Ring	1	
18	550460	Curva ø18	Elbow	1	
19	550450	Girello 3/4"G	Ring nut	1	
20	1140450	OR ø 20,24x2,62	O-Ring	1	
21	1880310	Vite TCEI M 8x65	Bolt	2	
22	450145	Flangia raccordo	Flange	1	
23	550350	OR 23,81x2,62	O-Ring	1	
24	320406	Staffa GS	Bracket	1	
25	390311	Rosetta 8,5x17x1,5	Washer	2	
26	110130	Racc. 1/2"G+tub. ø13	Fitting 1/2"G+hose ø13	1	
27	1880492	Rub. 3/8"-1/2" G (M) SX	Left valve	1	Leva rossa ☒ C ₁₀
28	390270	Dado M8	Nut	2	

○ Non compreso nel GR 30 - No part of GR 30

*Specifications subject to change without notice

Kit per/for GR 30



Comando incorporato e separato - Build-in control unit and remote control

KIT 891 "I" Comando incorporato Build in control				KIT 892 "S" Comando separato Remote control			
Pos.	Q.ty	Pos.	Q.ty	Pos.	Q.ty	Pos.	Q.ty
11	2			14	3	26	1
12	2			17	1	27	1
14	1			18	1	28	2
17	1			19	1		
18	1			20	1		
19	1			21	2		
20	1			22	1		
				23	1		
				24	1		
				25	2		

Per / for AR 252

Per / for AR 252

NOTE

SOME PARTS ARE NON-STOCK ITEMS AND MAY NEED TO BE ORDERED

NOTE

PLEASE ADD PREFIX **AR** TO REFLECT CROPLANDS PART NUMBER