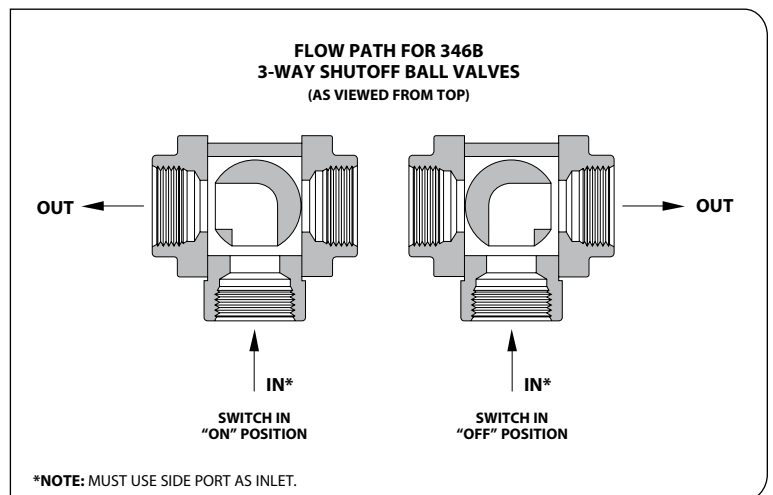




346BEC shutoff ball valves are available with E or EC series motors with cable or DIN electrical connections. See page 66 for more information on DirectoValve motors.

### Features:

- 25 RPM, 0.6 second shutoff fully open to close.
- Available in 2-way or 3-way versions. 2-way valves allow complete shutoff while the 3-way valves divert flow to a bypass line when boom controls are shut off.
- The flow rate for the 346BEC 2-way valve is 100 GPM (379 l/min) with 5 PSI (0.34 bar) pressure drop, 141 GPM (534 l/min) with 10 PSI (0.69 bar) pressure drop.
- The flow rate for the 346BEC 3-way valve is 64 GPM (242 l/min) with a 5 PSI (0.34 bar) pressure drop, 91 GPM (344 l/min) with 10 PSI (0.69 bar) pressure drop.
- Polypropylene ball with stainless steel stem.
- Maximum pressure rating of 150 PSI (10 bar).
- Available with 1¼", 1½" NPT or BSPT (F) threads or 50 series flange fittings.
- Wetted parts made of corrosion-resistant materials, glass-reinforced polypropylene, Teflon®, stainless steel and Viton®.





### Sample Valve Part Number:

# (B)346BEC-25S-CN15AB

OUTLET THREADS	
PART CODE	DESCRIPTION
BLANK	ALL THREADS TO BE NPT (IF EQUIPPED)
(B)	ALL THREADS TO BE BSPT (IF EQUIPPED)

MODEL SPECIFICATION	
PART CODE	DESCRIPTION
346B	BALL VALVE

MOTOR SPECIFICATIONS		
PART CODE	SWITCH	DESCRIPTION
E	DPDT	25 RPM, 0.6 SECOND SHUTOFF VALVE
EC	SPST	

See page 66 for more information on E and EC motors.

VALVE TYPES	
PART CODE	DESCRIPTION
2	2-WAY VALVE
3	3-WAY VALVE

END CAPS OR OUTLET FITTINGS	
PART CODE	DESCRIPTION
5	1¼" PIPE THREAD
6	1½" PIPE THREAD
F	50 SERIES FLANGE
F75	75 SERIES FLANGE



See pages 102–103 for flange fittings.

WIRING CONNECTORS
SPECIFIC ELECTRICAL CONNECTOR STYLE AND PIN-OUTS. IF NO CONNECTOR IS NEEDED LEAVE BLANK.
See page 105 for electrical connectors and codes.

MOTOR CABLES	
PART CODE	DESCRIPTION
C	POSITIVELY SWITCHED w/ 0.5-METER CABLE
CN	NEGATIVELY SWITCHED w/ 0.5-METER CABLE
* C03	POSITIVELY SWITCHED w/ 0.3-METER CABLE
* CN03	NEGATIVELY SWITCHED w/ 0.3-METER CABLE
* C15	POSITIVELY SWITCHED w/ 1.5-METER CABLE
* CN15	NEGATIVELY SWITCHED w/ 1.5-METER CABLE
* C60	POSITIVELY SWITCHED w/ 6.0-METER CABLE
* CN60	NEGATIVELY SWITCHED w/ 6.0-METER CABLE
D	POSITIVELY SWITCHED w/ DIN CONNECTOR
DN	NEGATIVELY SWITCHED w/ DIN CONNECTOR

Items marked with "\*" are non-stock items. Please contact your regional sales office for ordering and availability information.

**Note:** DIN cables must be ordered separately. See page 66 for DIN cables.

### INLET/OUTLET REQUIRED CONNECTIONS THE INLET/OUTLET FITTINGS ARE ORDERED SEPARATELY

- **5, 6:** When ordering 1¼" (5) or 1½" (6) threaded NPT or BSPT inlet/outlet type valve connections, the valve will be completed during the ordering process.
- **F:** When ordering F or F75 (flange) type valve connections, the inlet/outlet fittings are ordered separately. Two clamps and flange fittings are required for 2-way valves and three each for 3-way valves. See pages 102–103 for flange fitting options.

**Note:** Many valve configurations are possible by mixing and matching flange fittings.

BALL MATERIAL SPECIFICATIONS	
PART CODE	DESCRIPTION
BLANK	POLYPROPYLENE BALL
S	STAINLESS STEEL BALL (2-WAY VALVE ONLY)

REPAIR KIT
AB346B-KIT