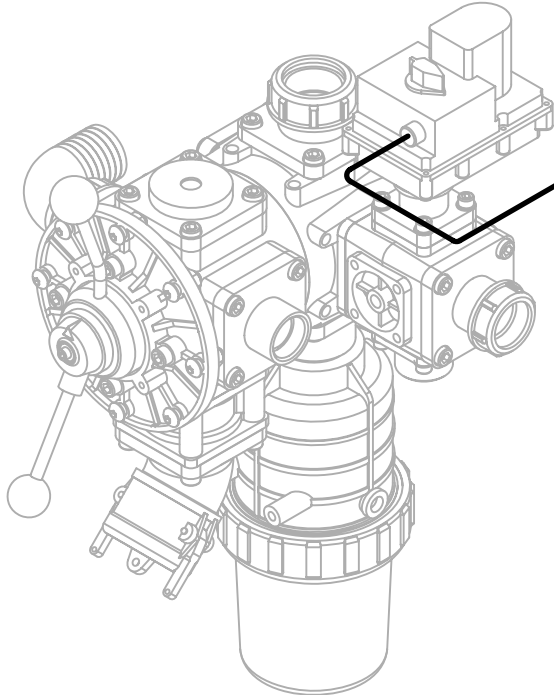
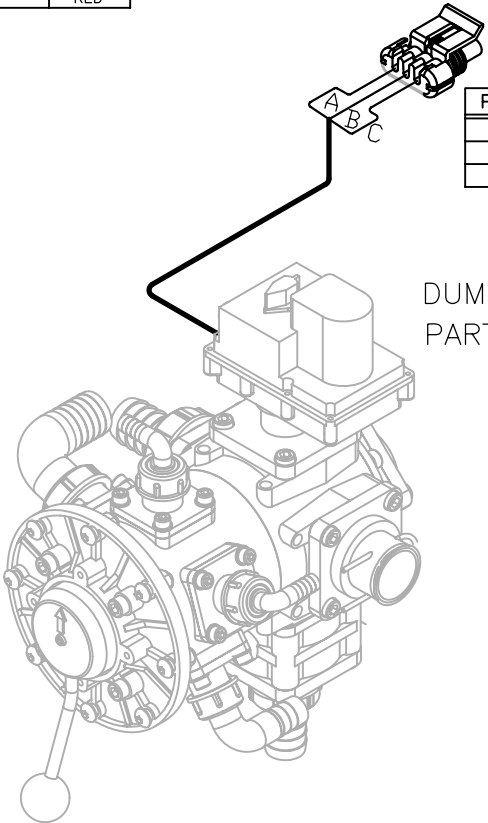


SERVO VALVE MOTOR  
PART No. BJEVR4102



PIN	DESIGNATION	COLOUR
A	BLANK	N/A
B	GRND	BLACK
C	12 + VE	RED

DUMP VALVE MOTOR  
PART No. BJEV4100



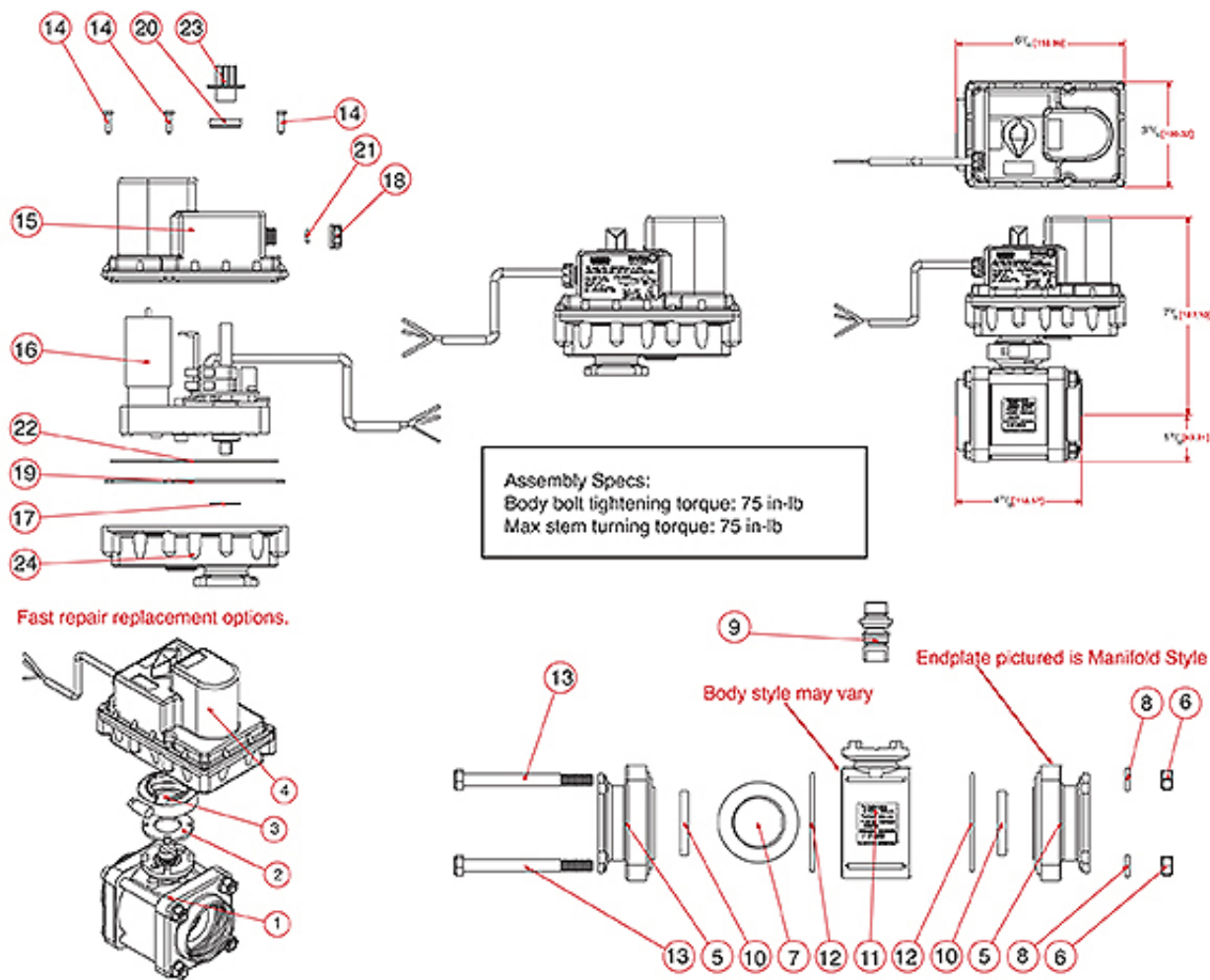
PIN	DESIGNATION	COLOUR
A	SWITCH SIGNAL	WHITE
B	12 + VE	RED
C	GRND	BLACK

BANJO CONTROL MOTORS  
SERVO AND DUMP VALVE  
WIRING CONNECTIONS

Note: Drawing is for illustration purpose only

12th NOVEMBER 2010





Item	Part No.	Description	Qty.
1	EV150XR1	1½" Full Port Electric Valve Sub Assembly	1
2	MVE004	Electric Valve Flange Gasket	1
3	FC100	1" Flange Clamp	1
4	EVR4100	Regulating 4 Wire, 4 Second	1
4	EVR4102	Regulating 2 Wire, 6 Second	1
5	VE20257	1½" Threaded End Plate	2
6	V20019	3/8" 16 SS Hex Nut	4
7	VE20255SSH	2" 316 SS Hollow Ball	1
8	V20018	3/8" SS Lock Washer	4
9	MEV10151	1" SS Stem w/Seals	1
10	VE20258	1½" & 2" Electric Ball Seat	2
11	MEV20254A	1½" & 2" Body	1
12	VE20264	2" FKM (viton type) Body O-Ring	2
13	V20017	3/8" x 4" SS Body Bolt	4
14	VE15220	Housing Screw	6
15	MVE25102	Housing Top for Large Motor	1
16	VE4988	4 Second 12 Volt Wire Regulating Motor	1
16	VE49892	6 Second 12 Volt Wire High Torque Motor	1
17	MVE107	Motor Shaft Gasket	1
18	MVE002	Heyco ¼" Threaded Bushing	1
19	MVE104	Outer Housing Gasket	1
20	VE109E	Indicator Seal	1
21	MVE007	3mm x 5mm FKM?(viton type) O-Ring	1
22	MVE106	Inner Housing Gasket	1
23	VE107B	Flow Indicator	1
24	MEV25101	Housing Bottom for Large Motor	1
25	EV20210	Repair Kit (Includes items 2, 9, 10, 12)	1