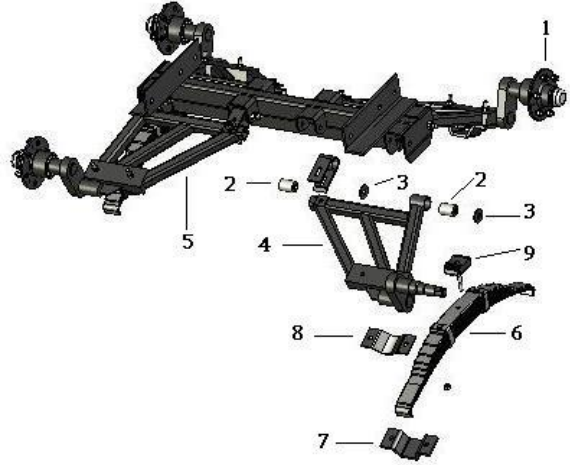
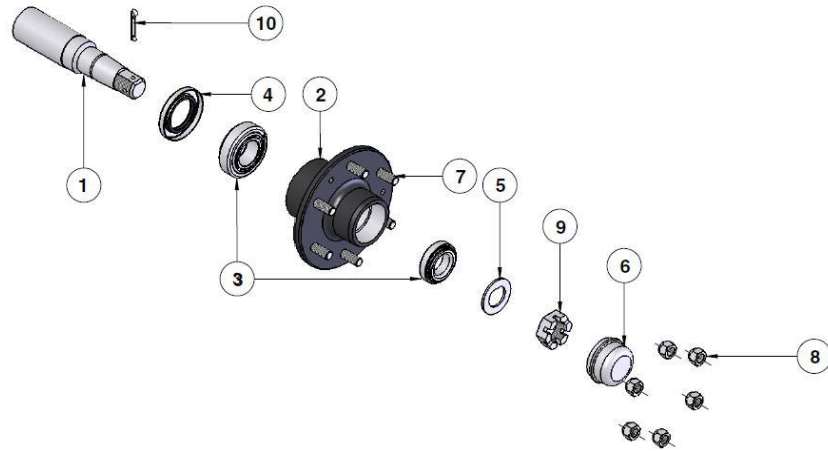


CROPLANDS PART NUMBERS: BP-400ADL 4000L SUSPENSION TANDEM AXLE 1475mm TRACK WIDTH



Item	Part No.	Description	Qty
1	HP-199D	STUB AXLE 65MM ROUND 6/205PCD	4
2	BP-400-2	PIVOT BUSH TRAILING ARM 5/8"	8
3	BP-400-3	THRUST WASHER	4
4	<i>BP-400ADL-1</i>	TRAILING ARM LEFT FRONT/RIGHT REAR	2
5	<i>BP-400ADL-2</i>	TRAILING ARM RIGHT FRONT/LEFT REAR	2
6	BP-400ADLSPRING	SPRING AND SPRING SEAT ASSY	2
7	BP-400ADLA-7	SPRING CLAMP	2
8	BP-400ADLA-8	ANTI RATTLE PLATE	2
9	<i>BP-400ADLA-9</i>	SPRING SEAT ASSY	2
	MT10013	SPEED SENSOR MOUNTING BRACKET (<i>not shown</i>)	1

*Note: Drawing is for illustration purpose only
Refer to parts list.*



STUB AXLE HP-199D (FAD)

Item	Croplands P/N	Max Description
1	<i>HP-199D-1</i>	STUB 65RND x400mm LONG
2	<i>HP-199D-2</i>	HUB 6/205PCD
3	HP-199DA-3	BEARING KIT 30208/30211
4	HP-199DSEAL	TRIPLE LIP SEAL 100x70x12mm
5	N/A	N/A
6	HP-199DCAP	DUST CAP 80mm
7	HP-199STUD	WHEEL STUD M18x1.5x55
8	HP-199F-8	WHEEL NUT M18x1.5
9	<i>HP-199DA-9</i>	SLOTTED NUT M33x2
10	HP-199DA-10	SPLIT PIN M50x6

Note: Parts in italics are non-stock items and may need to be ordered