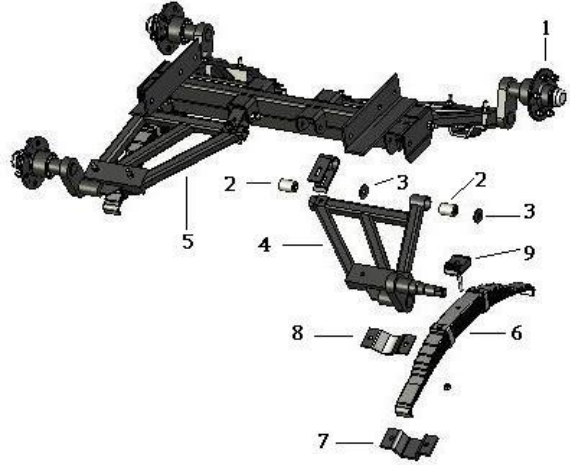


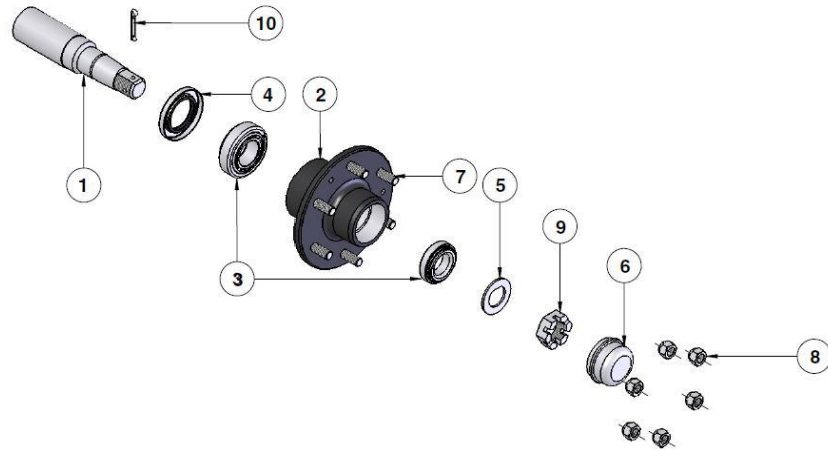
**CROPLANDS PART NUMBERS: BP-400D**

**2000L SUSPENSION TANDEM AXLE 1475mm TRACK WIDTH**



Item	Part No.	Description	Qty
1	<b>BP-400DSTUB</b>	STUB AXLE 50RND x 6/139.7PCD ATS	4
2	<b>BP-400-2</b>	PIVOT BUSH TRAILING ARM 5/8"	8
3	<b>BP-400-3</b>	THRUST WASHER	4
4	<b>BP-400D-1</b>	TRAILING ARM LEFT FRONT / RIGHT REAR	2
5	<b>BP-400D-2</b>	TRAILING ARM RIGHT FRONT/LEFT REAR	2
6	<b>BP-400DSPRING</b>	SPRING & SPRING SEAT ASSEMBLY	2
6	<b>BP-400SPRING</b>	HEAVY DUTY SPRING	
7	<b>BP-400D-7</b>	SPRING CLAMP	4
8	<b>BP-400D-8</b>	ANTI RATTLE PLATE	4
9	<i>BP-400D-9</i>	SPRING SEAT	2
10	<b>MT10013</b>	SPEED SENSOR MOUNTING BRACKET <i>(not shown)</i>	1

*Note: Drawing is for illustration purpose only  
Refer to parts list.*



Item	Part No.	Description
1	<b>BP-400DSTUB-1</b>	ROUND STUB (DROP AXLE MACHINED)
2	<b>BP-400DSTUB-2</b>	HUB 6/140 Complete
3	<b>BP-400DSTUB-3</b>	BEARING KIT 2788 /2720 + LM67048 /LM67010
4	<b>BP-400DSTUB-4</b>	DUST SEAL 3"x1,7/8"x 3/8"
5	<b>BP-400DSTUB-5</b>	KEYED WASHER 1,1/4"
6	<b>BP-400DSTUB-6</b>	DUST CAP 59mm
7	<b>BP-400DSTUB-7</b>	WHEEL STUD 1/2"
8	<b>BP-400DSTUB-8</b>	WHEEL NUT 1/2"
9	<b>BP-400DSTUB-9</b>	SLOTTED NUT 1,1/4" UNF
10	<b>BP-400DSTUB-10</b>	SPLIT PIN 50 x 5mm

**STUB AXLE BP-400DSTUB**

*Note: Parts in italics are non-stock items and may need to be ordered*