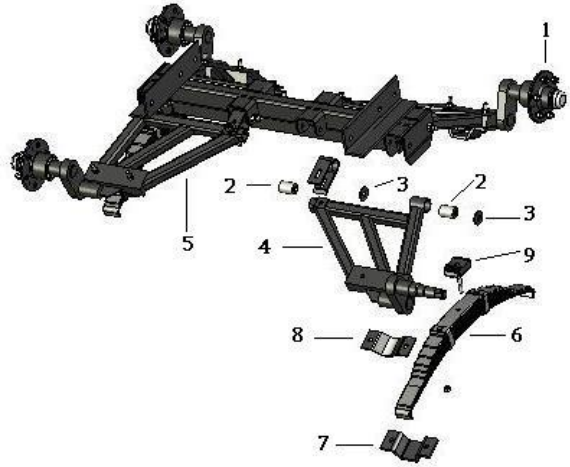
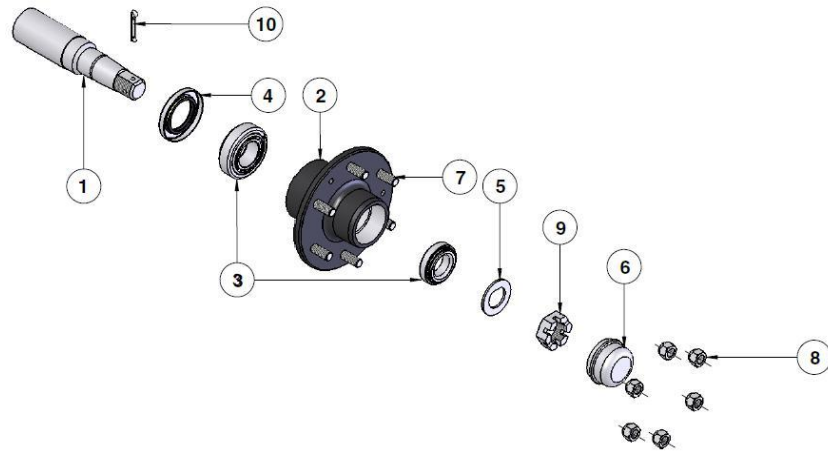


CROPLANDS PART NUMBERS: BP-400DA 2000L HEAVY DUTY SUSPENSION TANDEM AXLE 1350mm TRACK WIDTH



Item	Part No.	Description	Qty
1	HP-199DA	STUB AXLE 65mm RND 6/205PCD TITAN ANDY	4
2	BP-400-2L	PIVOT BUSH TRAILING ARM 5/8"	8
3	BP-400-3	THRUST WASHER	4
4	<i>BP-400DA-1</i>	TRAILING ARM LEFT FRONT/ RIGHT REAR	2
5	<i>BP-400DA-2</i>	TRAILING ARM RIGHT FRONT/LEFT REAR	2
6	BP-400JLSPRING	SPRING ASSEMBLY	2
6	BP-400JASPRING	SPRING & SPRING SEAT ASSEMBLY	
7	BP-400ADLA-7	SPRING CLAMP	4
8	BP-400D-8	ANTI RATTLE PLATE	4
9	<i>BP-400JA-9</i>	SPRING SEAT	2
10	MT10013	SPEED SENSOR MOUNTING BRACKET <i>(not shown)</i>	1

Note: Drawing is for illustration purpose only
Refer to parts list.



STUB AXLE HP-199DA

Item	Part No.	Description
1	HP-199DA-1	STUB 65RDx438LG not machined
2	HP-199DA-2	HUB 6/205PCD
3	HP-199DA-3	BEARING KIT 30208/30211
4	HP-199DA-4	TRIPLE LIP SEAL 100x70x12mm
4a	HP-199DA-4A	SEAL RING 57x70.5x16.5mm <i>(not shown)</i>
4b	HP-199DA-4B	WEAR RING TO SUIT TRIPLE LIP SEAL <i>(not shown)</i>
5	N/A	N/A
6	HP-199DA-6	DUST CAP <i>(3 screws items 11 and 12)</i>
7	HP-199F-7	WHEEL STUD M18x1.5x65
8	HP-199F-8	WHEEL NUT M18x1.5
9	HP-199DA-9	SLOTTED NUT M33x2
10	HP-199DA-10	SPLIT PIN M50x6
11	HP-199DA-11	SOCKET HEAD CAP SCREW M8x25 <i>(not shown)</i>
12	HP-199E-12	RIB LOCK WASHER M8 <i>(not shown)</i>

Note: Parts in italics are non-stock items and may need to be ordered