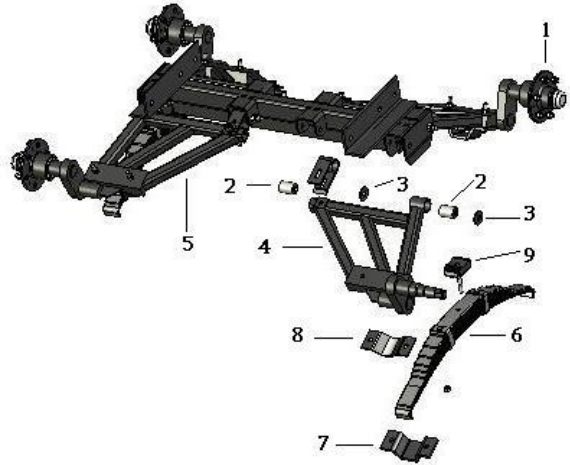


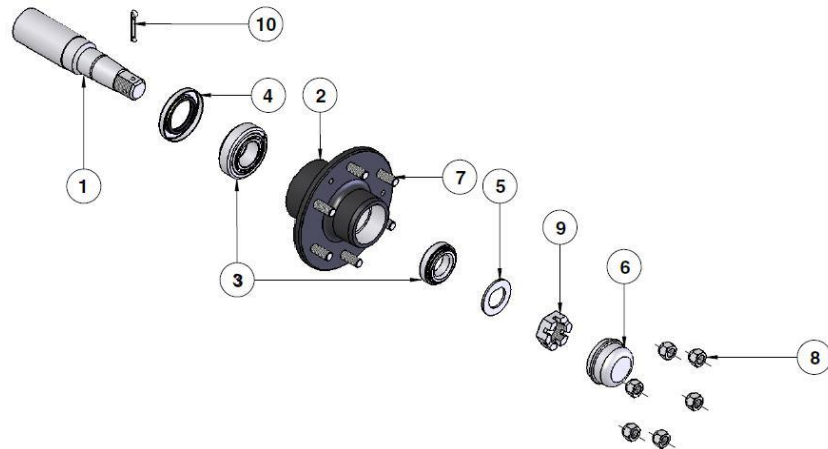
CROPLANDS PART NUMBERS: BP-400JL

3000L SUSPENSION TANDEM AXLE 1350mm TRACK WIDTH



| Item | Part No. | Description | Qty |
|------|-----------------------|--------------------------------------------------|-----|
| 1 | HP-199D | STUB AXLE 65MM RND 6/205PCD TITAN FAD | 4 |
| 2 | BP-400-2 | PIVOT BUSH TRAILING ARM 5/8" | 8 |
| 3 | BP-400-3 | THRUST WASHER | 4 |
| 4 | <i>BP-400JL-1</i> | TRAILING ARM LEFT FRONT/RIGHT REAR | 2 |
| 5 | <i>BP-400JL-2</i> | TRAILING ARM RIGHT FRONT/LEFT REAR | 2 |
| 6 | BP-400JASPRING | SPRING | 2 |
| 7 | BP-400ADLA-7 | SPRING CLAMP | 2 |
| 8 | BP-400D-8 | ANTI RATTLE PLATE | 2 |
| 9 | BP-400JL-9 | SPRING SEAT ASSY | 2 |
| | MT10013 | SPEED SENSOR MOUNTING BRACKET <i>(not shown)</i> | 1 |

*Note: Drawing is for illustration purpose only
Refer to parts list.*



STUB AXLE HP-199D

| Item | Croplands P/N | Max Description |
|------|--------------------|-----------------------------|
| 1 | <i>HP-199D-1</i> | STUB 65RND x400mm LONG |
| 2 | <i>HP-199D-2</i> | HUB 6/205PCD |
| 3 | HP-199DA-3 | BEARING KIT 30208/30211 |
| 4 | HP-199DSEAL | TRIPLE LIP SEAL 100x70x12mm |
| 5 | N/A | N/A |
| 6 | HP-199DCAP | DUST CAP 80mm |
| 7 | HP-199STUD | WHEEL STUD M18x1.5x55 |
| 8 | HP-199F-8 | WHEEL NUT M18x1.5 |
| 9 | <i>HP-199DA-9</i> | SLOTTED NUT M33x2 |
| 10 | HP-199DA-10 | SPLIT PIN M50x6 |

Note: Parts in italics are non-stock items and may need to be ordered