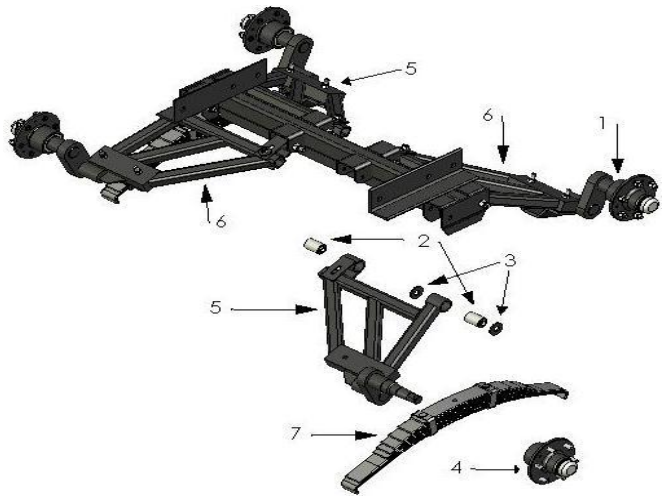
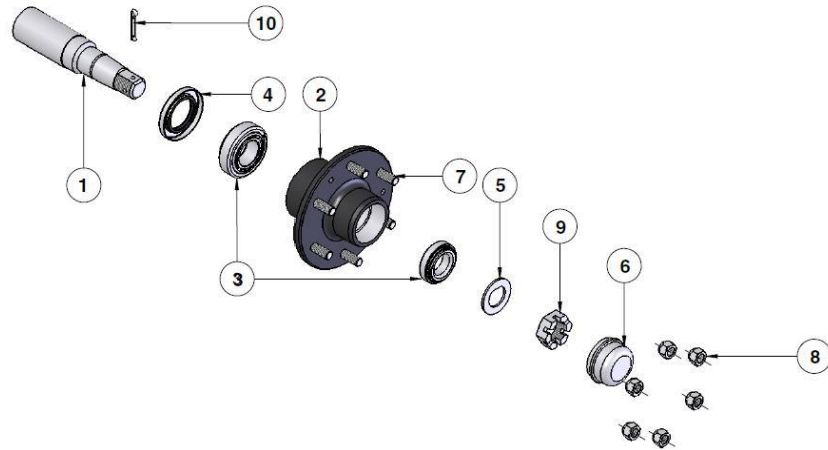


CROPLANDS PART NUMBERS: BP-400JLA 3000L SUSPENSION TANDEM AXLE (ACUTECH)



Item	Part No.	Description	Qty
1	HP-199DB	STUB AXLE 65MM ROUND 6/205PCD	4
2	BP-400-2	PIVOT BUSH TRAILING ARM 5/8"	8
3	BP-400-3	THRUST WASHER	4
4	N/A	Refer stub axle	
5	BP-400J-1	TRAILING ARM LT FNT / RT BCK (no hub)	2
6	BP-400JLSPRING	SPRING 8 LEAF (NO SEAT)	2
6	<i>BP-400J-2</i>	TRAILING ARM RT FNT / LT BCK (no hub)	2
7	<i>BP-400JSPRING</i>	SPRING AND SEAT ASSY BP-400J	2
8	MT10013	SPEED SENSOR MOUNTING BRACKET (<i>not shown</i>)	1

*Note: Drawing is for illustration purpose only
Refer to parts list.*



STUB AXLE HP-199DB

Item	Croplands P/N	Max Description
1	HP-199DA-1	STUB 65RDx438LG UNMACHINED
2	HP-199DA-2	HUB 6/205PCD
3	HP-199DA-3	BEARING KIT 30208/30211
4	HP-199DA-4	TRIPLE LIP SEAL 100x70x12mm
4a	HP-199DA-4A	SEAL RING 57x70.5x16.5mm (<i>not shown</i>)
4b	HP-199DA-4B	WEAR RING TO SUIT T.L.S (<i>not shown</i>)
5	N/A	N/A
6	HP-199DA-6	DUST CAP (<i>3 screws items 11 and 12</i>)
7	HP-199DA-7	WHEEL STUD M18x1.5x65
8	HP-199DA-8	WHEEL NUT M18x1.5
9	HP-199DA-9	SLOTTED NUT M33x2
10	HP-199DA-10	SPLIT PIN M50x6
11	HP-199DA-11	SOCKET HEAD CAP SCREW M8x25 (<i>not shown</i>)
12	HP-199DA-12	RIB LOCK WASHER M8 (<i>not shown</i>)

Note: Parts in italics are non-stock items and may need to be ordered