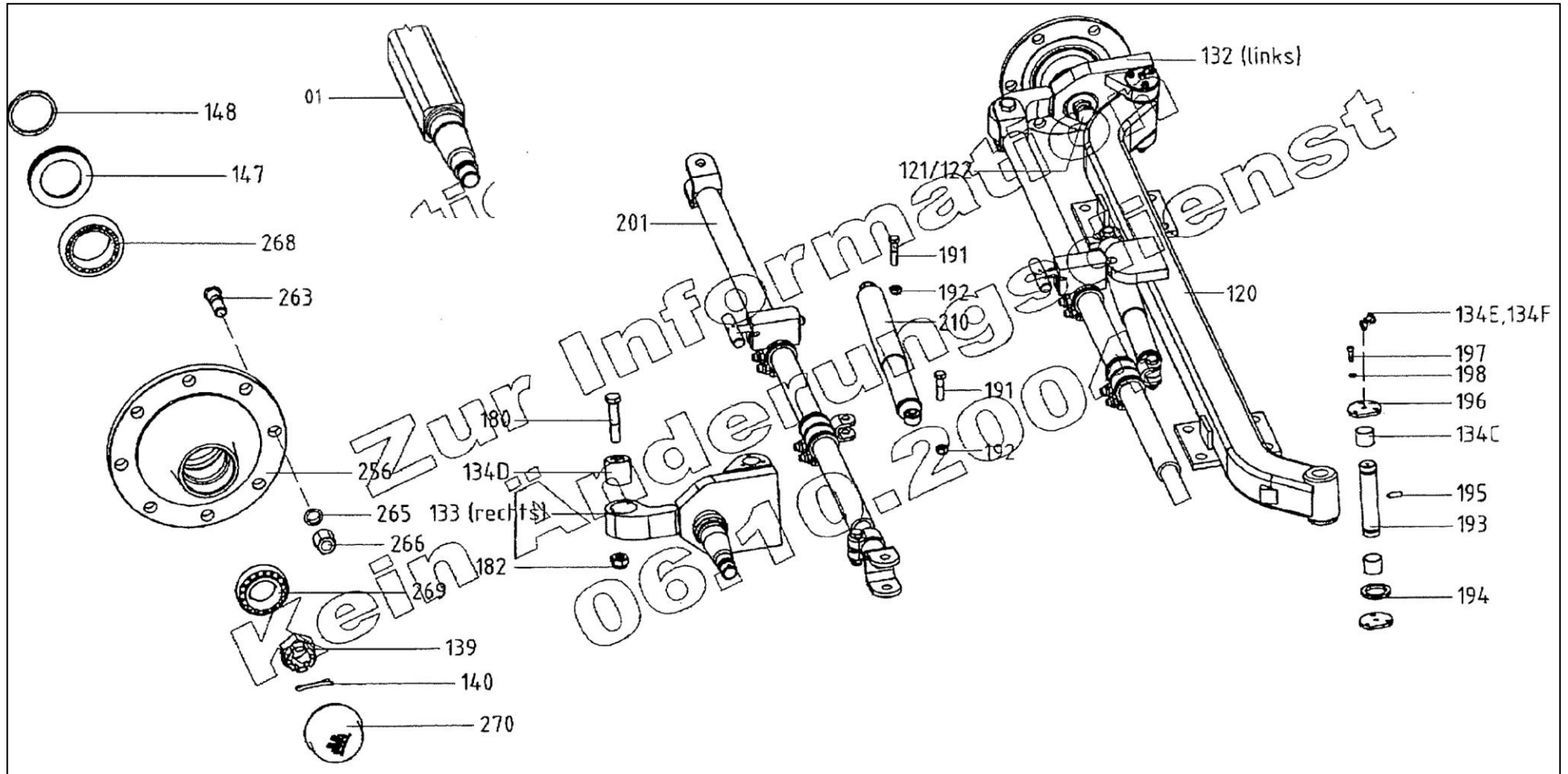
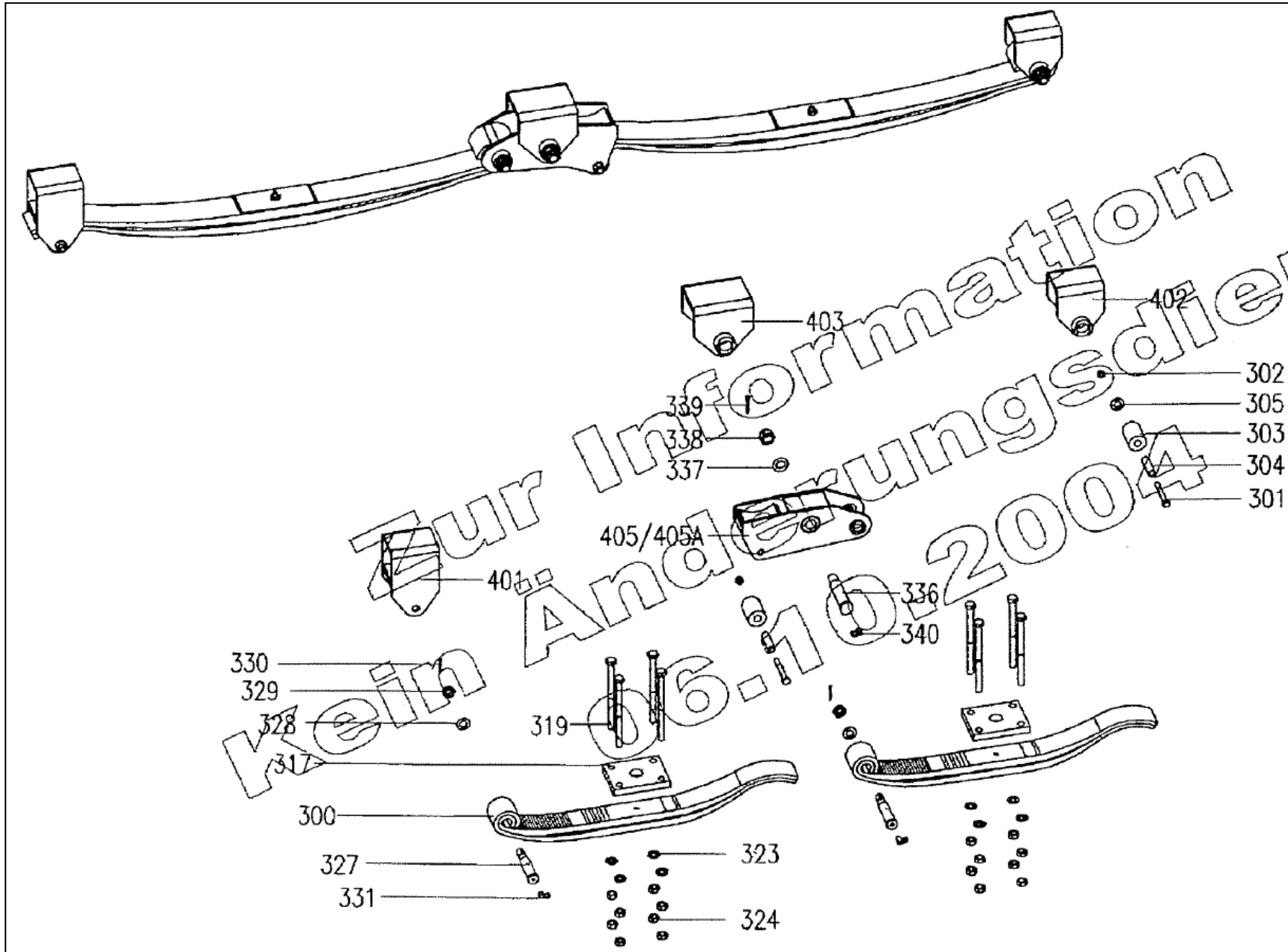


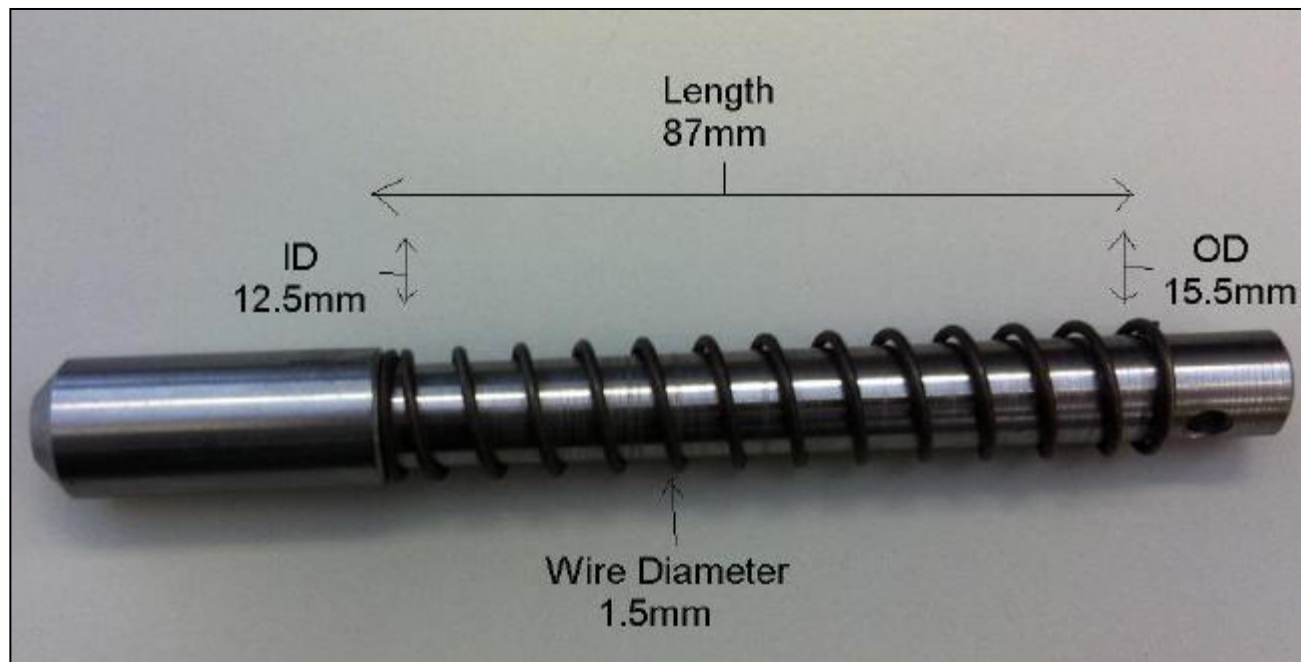
CROPLANDS PART NUMBERS: BP-400S – TANDEM STEERING AXLE







Pic 1



Pic 2

POS	PART NUMBER	DESCRIPTION
1	BP-400S-3	AXLE BEAM 1540mm
256	BP-400S-4	HUB 6/205PCD
134C	BP-400S-20	BUSH 31/28x25
147	BP-400S-1	SEAL 50/85.5 x11.5
148	BP-400S-1A	THRUST WASHER 51/60x5
193	BP-400S-22	STEERING PIVOT 28/138
194	BP-400S-23	PRESSURE WASHER 52/38x5
195	BP-400S-21	GRUB SCREW M8x25
263	BP-400S-5	WHEEL STUD M18x1.5x46
265	BP-545WASHERBPW	SPRING WASHER M18.5
266	BP-545NUTBPW	FLAT COLLAR NUT M18 X 1.5
268 & 269	HP-199BEARING	BEARING KIT 30209/30206
270	BP-400SCAP	DUST CAP 62.2mm
300	BP-400S-2	LEAF SPRING ASSY
327	BP-400S-15	THREAD BOLT 20x1.5x87.5
338	BP-400S-9	SLOTTED NUT M20x1.5
	BP-400SL	HYDRAULIC STEERING LOCK
	BP-400SL-A	CYLINDER FOR STEERING LOCK
Pic 1 & 2	BP-400SL-1	LOCKING PIN & SPRING FOR HYD LOCK



Items not listed are non stocked items and will need to be ordered