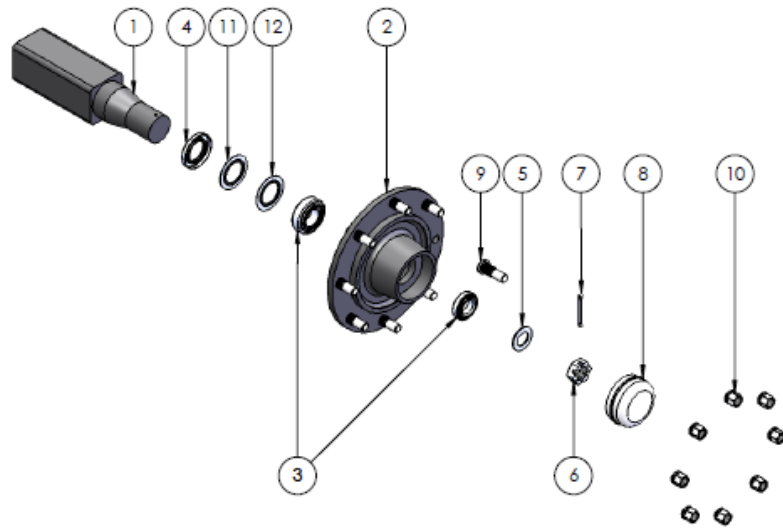


Item	Part No.	Description	Qty
1	BP-545	STUB AXLE 80MM 8/275 PCD BPW	2
2	MT10013	SPEED SENSOR MOUNTING BRACKET	1

Note: Drawing is for illustration purpose only
Refer to parts list.



STUB AXLE BP-545 (BPW)

Item	Croplands P/N	Description
1	<i>BP-545STUBBPW</i>	STUB 80SQx380LG
2	BP-545HUBBPW	WHEELHUB 8/275PCD
3	BP-545BPWBEARIN	BEARING KIT 30210/32014
4	<i>BP-545THRUSTBPW</i>	THRUSTWASHER 85x74x7
5	<i>BP-545BPWWASHER</i>	WASHER M66/37x5
6	BP-545CNUTBPW	CASTLE NUT M36x1.5
7	HP-199E-10	SPLIT PIN 60 X 6mm
8	BP-545CAPBPW	DUST CAP 90.1mm
9	<i>BP-545STUDBPW</i>	WHEEL STUD M18 X 1.5x 52
10	BP-545NUTBPW	WHEEL NUT M18x1.5
11	BP-545SEALBPW	SEAL 73x110x14.5
12	N/A	N/A
13	BP-545WASHERBPW	SPRING WASHER C18.5mm (<i>not shown</i>)

Note: Parts in italics are non-stock items and may need to be ordered