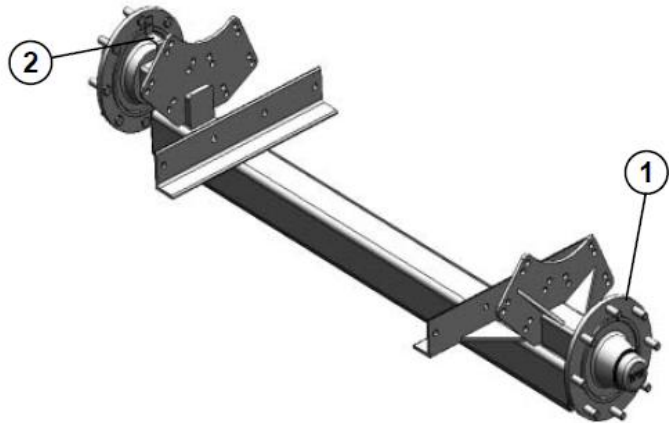
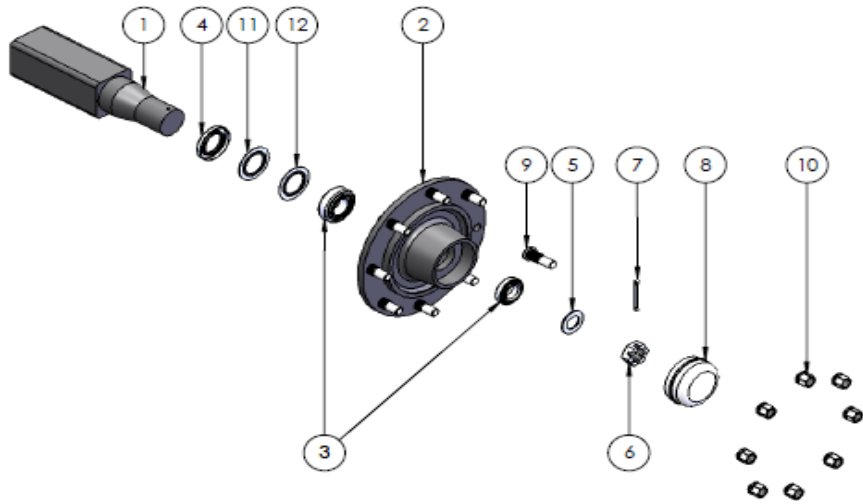


CROPLANDS PART NUMBERS: BP-509D PEGASUS 4000L/5000L FIXED AXLE 8 STUD



Item	Part No.	Description	Qty
1	BP-545A	STUB AXLE 90mm 8/275 PCD	2
2	MT10013	SPEED SENSOR MOUNTING BRACKET	1

Note: Drawing is for illustration purpose only. Refer to parts list.



STUB AXLE BP-545A

Item	Part No.	Description
1	BP-532-1	STUB AXLE 90SQ x 538 LONG
2	BP-545A-2	WHEELHUB 8/275 PCD
3	BP-532-3	BEARING KIT 30311/32216
4	BP-532-4	TRIPLE LIP SEAL 140x100x12mm
5	BP-532-5	WASHER 1 3/4' GR.8
6	BP-532-6	SLOTTED/CASTLE NUT M45x2
7	BP-532-7	SPLIT PIN 80x8MM
8	BP-532-8	DUST CAP 120mm (4 screws needed items 13 and 14)
9	HP-199F-7	WHEEL STUD M18x1.5x65
10	HP-199F-8	WHEEL NUT M18x1.5
11	BP-532-11	SEAL RING 100.5x82x16mm
12	BP-532-12	WEAR RING (to suit triple lip seal)
13	BP-532-13	SOCKET HEAD CAP SCREW M6x20 (not shown)
14	BP-532-14	M6 RIB LOCK WASHER (not shown)