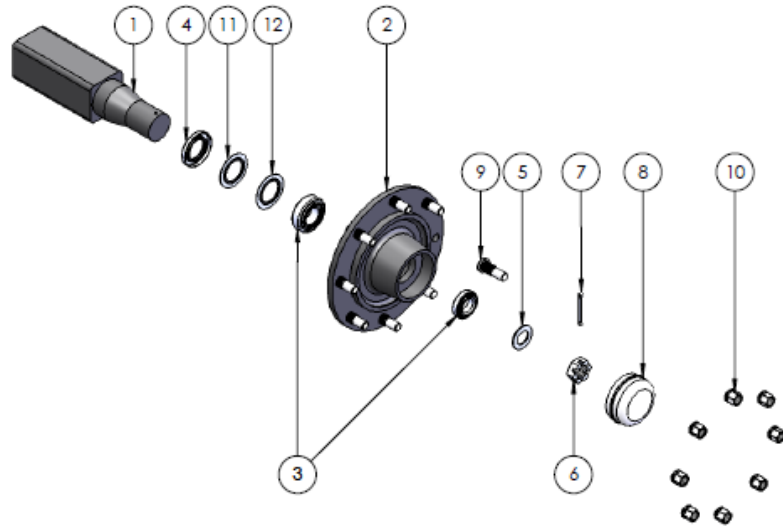


Item	Part No.	Description	Qty
1	<b>BP-545B</b>	STUB AXLE 80MM 8/275 PCD	2
2	<b>MT10013</b>	SPEED SENSOR MOUNTING BRACKET	1
3	<b>BP-809-4</b>	FLEXIBLE BUSH AIRRIDE SUSPENSION	2
4	<b>HP-236CL-1A</b>	RUBBER SPRING A560-65	2
5	<b>HP-236CL-1A-1</b>	BUSH 32x13.5x22.5 (for rubber spring)	2
6	<b>MP-564</b>	SHACKLE	2
7	<b>BP-617A</b>	ROPE	2
8	<b>BP-607</b>	SHOCK ABSORBER	2

Note: Drawing is for illustration purpose only  
Refer to parts list.



**STUB AXLE BP-545B**

Item	Croplands P/N	Description
1	<b>BP-545B-1</b>	STUB 80SQx505LG
2	<b>BP-545B-2</b>	WHEELHUB 8/275PCD
3	<b>BP-545B-3</b>	BEARING KIT 30210/30214
4	<b>HP-199E-4</b>	TRIPLE LIP SEAL 125x90x12mm
5	<b>N/A</b>	N/A
6	<b>HP-199E-9</b>	SLOTTED/CASTLE NUT M39x2
7	<b>HP-199E-10</b>	SPLIT PIN 60 X 6MM
8	<b>HP-199E-6</b>	DUST CAP 120mm (3 screws items 13 and 14)
9	<b>HP-199F-7</b>	WHEEL STUD M18 X 1.5x 65
10	<b>HP-199F-8</b>	WHEEL NUT M18x1.5
11	<b>HP-199E-4A</b>	SEAL RING 70.5x90x16.5mm
12	<b>HP-199E-4B</b>	WEAR RING (to suit triple lip seal)
13	<b>HP-199E-11</b>	SOCKET HEAD CAP SCREW M8x30 ( <i>not shown</i> )
14	<b>HP-199E-12</b>	M8 RIB LOCK WASHER ( <i>not shown</i> )

Note: Parts in italics are non-stock items and may need to be ordered