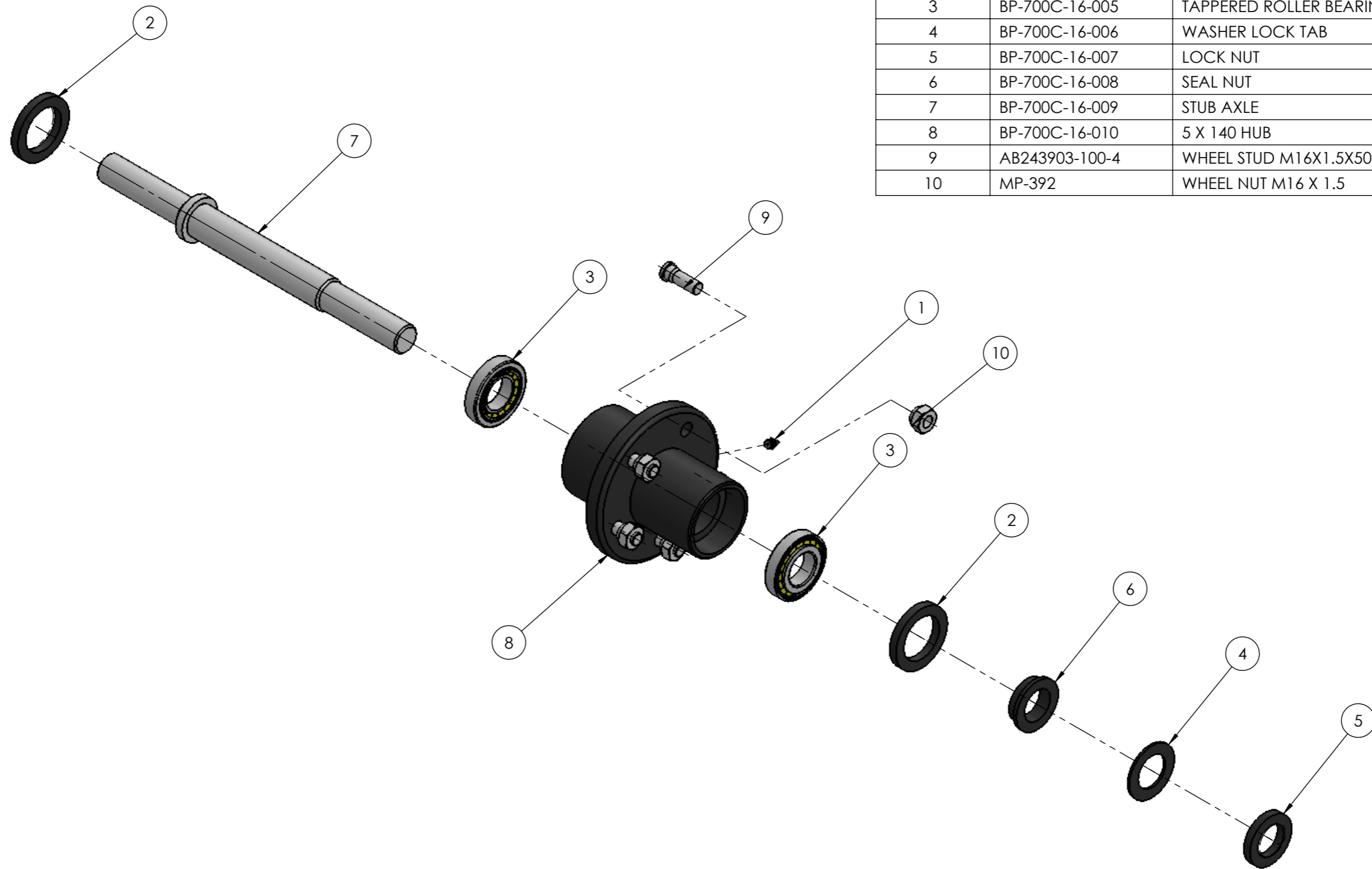


ITEM NO.	PART NUMBER	Description	QTY.
1	BP-700C-16-001	GREASE NIPPLE 1/8 BSP 45 DEG	1
2	BP-700C-16-004	SEAL 80 X 55 X 10	2
3	BP-700C-16-005	TAPERED ROLLER BEARING 40X80X19.75	2
4	BP-700C-16-006	WASHER LOCK TAB	1
5	BP-700C-16-007	LOCK NUT	1
6	BP-700C-16-008	SEAL NUT	1
7	BP-700C-16-009	STUB AXLE	1
8	BP-700C-16-010	5 X 140 HUB	1
9	AB243903-100-4	WHEEL STUD M16X1.5X50	5
10	MP-392	WHEEL NUT M16 X 1.5	5



UNLESS OTHERWISE SPECIFIED: DIMENSIONS ARE IN MILLIMETERS SURFACE FINISH: ± 0.2 TOLERANCES: LINEAR: ± 0.5 ANGULAR: ± 0.5		FINISH: N/A		DEBUR AND BREAK SHARP EDGES 		DO NOT SCALE DRAWING		ISSUE	A																									
<table border="1"> <thead> <tr> <th>NAME</th> <th>SIGNATURE</th> <th>DATE</th> <th>REVISION</th> </tr> </thead> <tbody> <tr> <td>DRAWN</td> <td>LJSMITH</td> <td>080116</td> <td></td> </tr> <tr> <td>CHK'D</td> <td></td> <td></td> <td></td> </tr> <tr> <td>APPV'D</td> <td></td> <td></td> <td></td> </tr> <tr> <td>MFG</td> <td></td> <td></td> <td></td> </tr> <tr> <td>Q.A</td> <td></td> <td></td> <td></td> </tr> </tbody> </table>						NAME	SIGNATURE	DATE	REVISION	DRAWN	LJSMITH	080116		CHK'D				APPV'D				MFG				Q.A				TITLE: WEEDIT SERIES 3 R&D AXLE AND HUB FOR WEEDIT STEERING AND CASTOR WHEEL		DWG NO. BP-700C-16		A3
NAME	SIGNATURE	DATE	REVISION																															
DRAWN	LJSMITH	080116																																
CHK'D																																		
APPV'D																																		
MFG																																		
Q.A																																		
<small>COPYRIGHT PROPRIETOR THIS DRAWING IS THE PROPERTY OF CROPLANDS PTY. LTD. AND MUST BE TREATED AS CONFIDENTIAL. REPRODUCTION OF THIS DRAWING (OR PART THEREOF) OR COMMUNICATION OF ITS CONTENTS IS PROHIBITED WITHOUT THE CONSENT OF CROPLANDS PTY. LTD.</small>						MATERIAL: N/A		SCALE: 1:5																										
WEIGHT:						SCALE: 1:5		SHEET 1 OF 1																										