

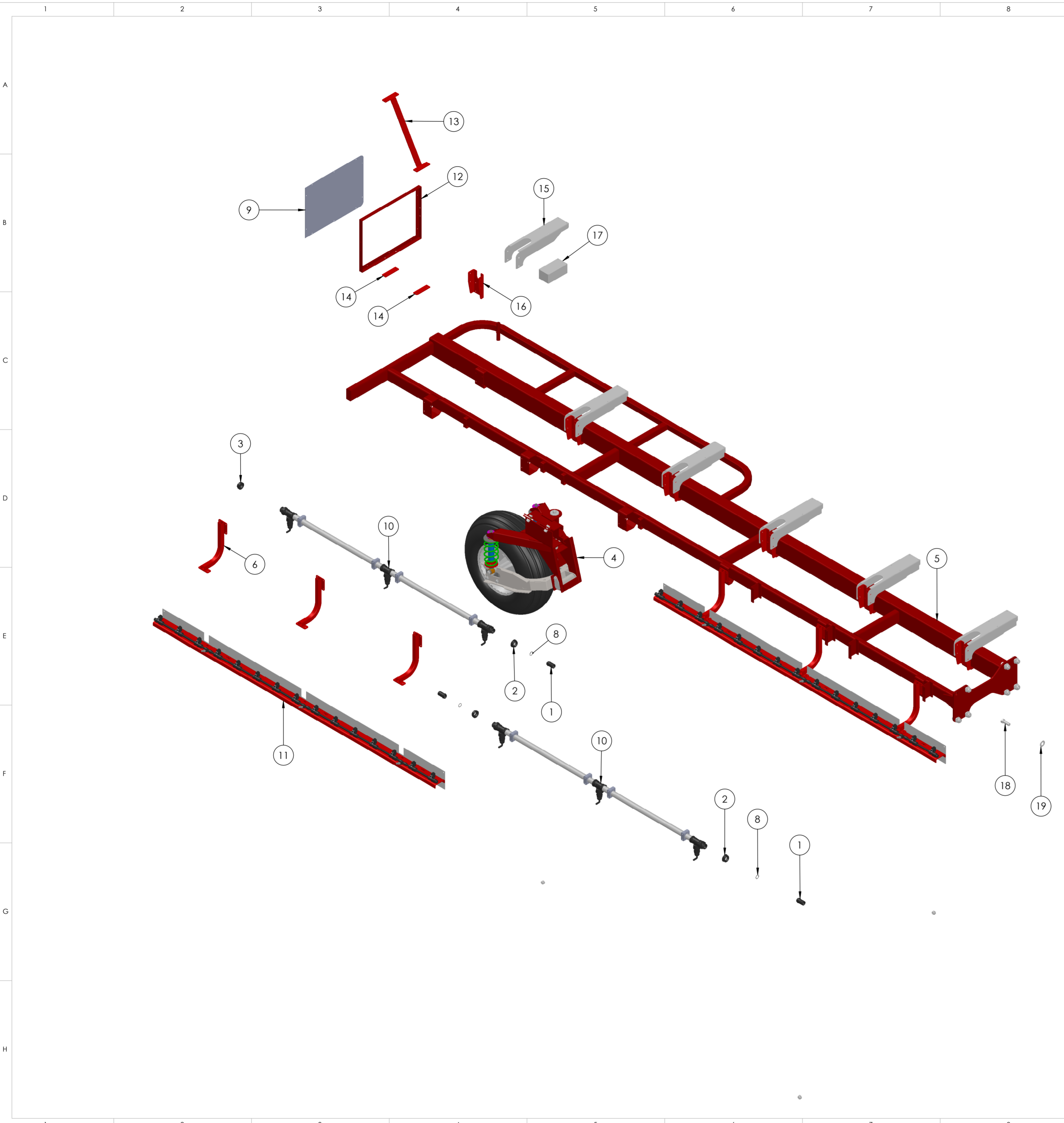
	10	11	12
	PART NUMBER	DESCRIPTION	QTY.
1	AB243000-200	FIRST ARM WING KIT SHADOW BOOM	1
2	AB243000-400L	OUTRIGGER DOCKING KIT LH	1
3	AB243000-700A	BOOM BUMPER KIT 18-36M	0.5
4	AB243130-300A	SPRAYBAR BRKT WITH CAMERA BRKT	6
5	AB243130-300B	BRACKET SPRAYBAR	2
6	HP-015	HYDRAULIC CYLINDER 2.0 X 8	1
7	KB-7000-4	STEERING CASTOR ASSY VER 2	1
8	KB-7000-6-3	WEEDIT 3 TUBE & 4 CAMERA ASSEMBLY	1
9	KB-7000-6-4	WEEDIT 3 TUBE & 4 CAMERA ASSEMBLY	1
10	KB-7000-8-2A	WEEDIT 10 HOLE SINGLE LINE RAIL	1
11	KB-7000-8-3	WEEDIT 15 HOLE DUAL LINE RAIL	2
12	MP-340	SENSOR BRACKET	7
13	MP-340A	SENSOR BRACKET	1
14	MP-341A	CAMERA BRACKET MOUNT	1
15	WI46004407	WEEDIT SENSOR VER2011	8
16		HEX HEAD BOLT M30 X 200	2

QTY. FOR LEFT HAND BOOM - DOUBLE FOR UNIT

MOUNTING OF AB243000-700A ON OPPOSITE ARM

UNLESS OTHERWISE SPECIFIED: DIMENSIONS ARE IN MILLIMETERS SURFACE FINISH: ± 0.2 TOLERANCES: LINEAR: ± 0.5 ANGULAR: ± 0.5		FINISH: N/A	DEBUR AND BREAK SHARP EDGES	DO NOT SCALE DRAWING	ISSUE	A
DRAWN LJSMITH			SIGNATURE	DATE 290615	REVISION	
CHKD						
APPVD						
MFG						
Q.A						
MATERIAL: N/A			DWG NO. BT-WI30S		A2	
WEIGHT:			SCALE: 1:22		SHEET 1 OF 2	

COPYRIGHT PROPRIETOR  
ALL RIGHTS RESERVED. THE PROPERTY OF CROPLANDS PTY. LTD.  
REPRODUCTION OF THIS DRAWING FOR PARTS SUPPLY OR COMMUNICATION OF ITS  
CONTENTS IS PROHIBITED WITHOUT THE CONSENT OF CROPLANDS PTY. LTD.



ITEM NO.	PART NUMBER	DESCRIPTION	QTY.
1	A106533	TAIL 1 1/4" TO 32MM	3
2	A200050	FLY NUT 1 1/4"	3
3	A210050	BLANK CAP 1 1/4"	1
4	AB243000-120A	OUTER CASTOR KIT VER 2	1
5	AB243000-600A	OUTER WING KIT 36M VER 2	1
6	AB243130-300B	BRACKET SPRAYBAR	6
7	AB243308-100A	HINGE PLATE 30M SERIES 3 WEEDIT	1
8	AG10051	O RING 1 1/4"	3
9	BP-700-8FA	OVERSIZE SIGN 2 PIECE	1
10	KB-7000-6-2	WEEDIT 2 TUBE & 3 CAMERA ASSEMBLY	2
11	KB-7000-8-3	WEEDIT 15 HOLE SINGLE LINE RAIL	2
12	MP-310	FRAME TOP	1
13	MP-311	WEEDIT OVERSIZE SIGN BRACKET	1
14	MP-312	WEEDIT OVERSIZE SIGN PLATE	2
15	MP-340	SENSOR BRACKET	6
16	MP-341A	CAMERA BRACKET MOUNT	6
17	WI46004407	WEEDIT SENSOR VER2011	6
18		M24 X 60 HEX SCREW HT ZP	8
19		M24 FLAT WASHER ZP	16
20		M24 NYLOC NUT ZP	8

QTY. FOR LEFT HAND BOOM - DOUBLE FOR UNIT

UNLESS OTHERWISE SPECIFIED: DIMENSIONS ARE IN MILLIMETERS SURFACE FINISH: ± 0.2 TOLERANCES: LINEAR: ± 0.5 ANGULAR: ± 0.5		FINISH: N/A	DEBUR AND BREAK SHARP EDGES	DO NOT SCALE DRAWING	ISSUE	A
DRAWN LJSMITH			SIGNATURE	DATE 290615	REVISION	
CHKD						
APPVD						
MFG						
Q.A						
MATERIAL: N/A			DWG NO. BT-WI30S		A2	
WEIGHT:			SCALE: 1:20		SHEET 2 OF 2	

COPYRIGHT PROPRIETOR  
 THE DRAWING IS THE PROPERTY OF CROPLANDS PTY. LTD.  
 REPRODUCTION OF THIS DRAWING FOR PARTS SUPPLY OR COMMUNICATION OF ITS  
 CONTENTS IS PROHIBITED WITHOUT THE CONSENT OF AUTHORITY OF CROPLANDS PTY. LTD.