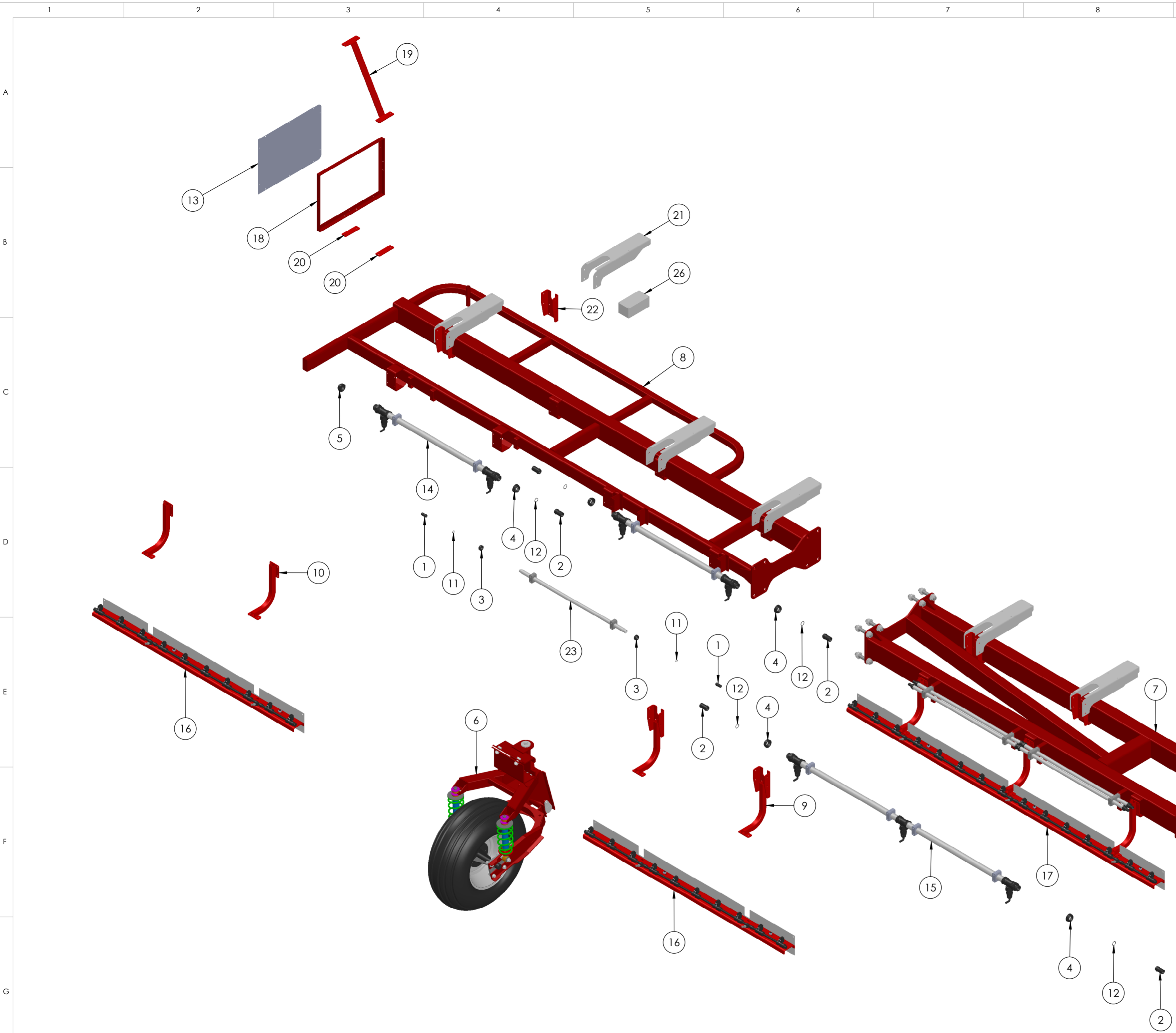


	10	11	12
	PART NUMBER	DESCRIPTION	QTY.
1	A106320	TAIL 3/4"	2
2	A116320	ELBOW 3/4" - 20MM HOSE	2
3	A200030	FLY NUT 3/4"	4
4	AB243000-200	FIRST ARM WING KIT SHADOW BOOM	1
5	AB243000-400L	OUTRIGGER DOCKING KIT LH	1
6	AB243000-700A	BOOM BUMPER KIT 18-36M	0.5
7	AB243130-300A	SPRAYBAR BRKT WITH CAMERA BRKT	6
8	AB243130-300B	BRACKET SPRAYBAR	2
9	AG10031	O RING 3/4"	4
10	HP-015	HYDRAULIC CYLINDER 2.0 X 8	1
11	KB-7000-4	STEERING CASTOR ASSY VER 2	1
12	KB-7000-6-3	WEEDIT 3 TUBE & 4 CAMERA ASSEMBLY	1
13	KB-7000-6-4	WEEDIT 3 TUBE & 4 CAMERA ASSEMBLY	1
14	KB-7000-8-2A	WEEDIT 10 HOLE DUAL LINE RAIL	1
15	KB-7000-8-3A	WEEDIT 15 HOLE DUAL LINE RAIL	2
16	MP-340	SENSOR BRACKET	7
17	MP-340A	SENSOR BRACKET	1
18	MP-354	3/4" 2200 POLYTUBE	14
19	PH4322	SOCKET 3/4"	12
20	UP-431	3/4" Stauff Clamp	28
21	WI46004407	WEEDIT SENSOR VER2011	8

QTY. FOR LEFT HAND BOOM - DOUBLE FOR UNIT

MOUNTING OF AB243000-700A ON OPPOSITE ARM

UNLESS OTHERWISE SPECIFIED: DIMENSIONS ARE IN MILLIMETERS SURFACE FINISH: ± 0.2 TOLERANCES: LINEAR: ± 0.5 ANGULAR: ± 0.5		FINISH: N/A	DEBUR AND BREAK SHARP EDGES	DO NOT SCALE DRAWING	ISSUE	A
DRAWN LJSMITH			SIGNATURE	DATE 070715	REVISION	<b>CROPLANDS</b> A NUFARM LIMITED COMPANY TITLE: <b>WEEDIT          SERIES 3</b> INNER ARM BOOM ASSMBLY 32M WEEDIT DUAL LINE
CHKD						
APPVD						
MFG						
Q.A					MATERIAL: N/A	DWG NO. BT-WI32D
COPYRIGHT PROPRIETOR ALL RIGHTS RESERVED. THE PROPERTY OF CROPLANDS PTY. LTD. REPRODUCTION OF THIS DRAWING FOR PARTS PURPOSES OR COMMUNICATION OF ITS CONTENTS IS PROHIBITED WITHOUT THE CONSENT OF CROPLANDS PTY. LTD.		WEIGHT:		SCALE: 1:22	SHEET 1 OF 2	



ITEM NO.	PART NUMBER	DESCRIPTION	QTY.
1	A106320	TAIL 3/4"	6
2	A106533	TAIL 1 1/4" TO 32MM	5
3	A200030	FLY NUT 3/4"	6
4	A200050	FLY NUT 1 1/4"	5
5	A210050	BLANK CAP 1 1/4"	1
6	AB243000-120A	OUTER CASTOR KIT VER 2	1
7	AB243000-500A	SECOND ARM 36M VER 2	1
8	AB243000-900	OUTER WING KIT 32M	1
9	AB243130-300A	SPRAYBAR BRKT WITH CAMERA BRKT	2
10	AB243130-300B	BRACKET SPRAYBAR	5
11	AG10031	O RING 3/4"	6
12	AG10051	O RING 1 1/4"	5
13	BP-700-8FA	OVERSIZE SIGN 2 PIECE	1
14	KB-7000-6	WEEDIT 2 TUBE & 3 CAMERA ASSEMBLY	2
15	KB-7000-6-2	WEEDIT 2 TUBE & 3 CAMERA ASSEMBLY	1
16	KB-7000-8-2A	WEEDIT 10 HOLE DUAL LINE RAIL	2
17	KB-7000-8-3A	WEEDIT 15 HOLE DUAL LINE RAIL	1
18	MP-310	FRAME TOP	1
19	MP-311	WEEDIT OVERSIZE SIGN BRACKET	1
20	MP-312	WEEDIT OVERSIZE SIGN PLATE	2
21	MP-340	SENSOR BRACKET	7
22	MP-341A	CAMERA BRACKET MOUNT	5
23	MP-354	3/4" 2200 POLYTUBE	5
24	PH4322	SOCKET 3/4"	2
25	UP-431	3/4" Stauff Clamp	10
26	WI46004407	WEEDIT SENSOR VER201 1	7

QTY. FOR LEFT HAND BOOM - DOUBLE FOR UNIT

UNLESS OTHERWISE SPECIFIED: DIMENSIONS ARE IN MILLIMETERS SURFACE FINISH: ± 0.2 TOLERANCES: LINEAR: ± 0.5 ANGULAR: ± 0.5		FINISH: N/A	DEBUR AND BREAK SHARP EDGES	DO NOT SCALE DRAWING	ISSUE	A
DRAWN: LJSMITH CHKD: APPVD: MFG: Q.A:			SIGNATURE: DATE: 070715 REVISION:	<p align="center"><b>CROPLANDS</b> A NUFARM LIMITED COMPANY</p> <p align="center"><b>WEEDIT SERIES 3</b></p> <p align="center">OUTER ARM ASSMEBY DRAWING 32M WEEDIT DUAL LINE</p>		
MATERIAL: N/A			DWG NO.	BT-WI32D		
WEIGHT:			SCALE: 1:20	SHEET 2 OF 2		