

CBLOOM-COMP
AIR COMPRESSOR POWER
ADAPTOR LOOM

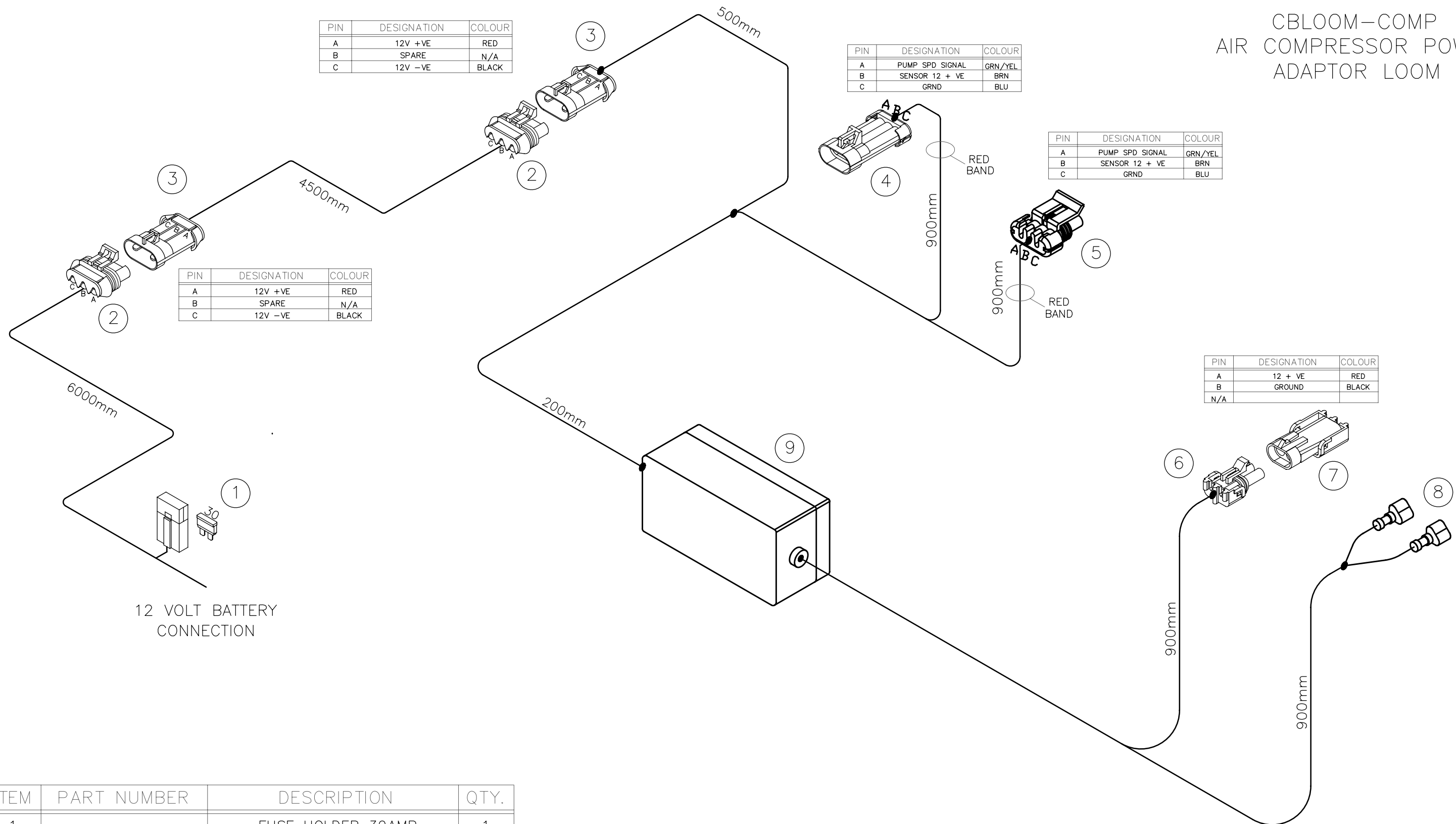
| PIN | DESIGNATION | COLOUR |
|-----|-------------|--------|
| A | 12V +VE | RED |
| B | SPARE | N/A |
| C | 12V -VE | BLACK |

| PIN | DESIGNATION | COLOUR |
|-----|-----------------|---------|
| A | PUMP SPD SIGNAL | GRN/YEL |
| B | SENSOR 12 + VE | BRN |
| C | GRND | BLU |

| PIN | DESIGNATION | COLOUR |
|-----|-----------------|---------|
| A | PUMP SPD SIGNAL | GRN/YEL |
| B | SENSOR 12 + VE | BRN |
| C | GRND | BLU |

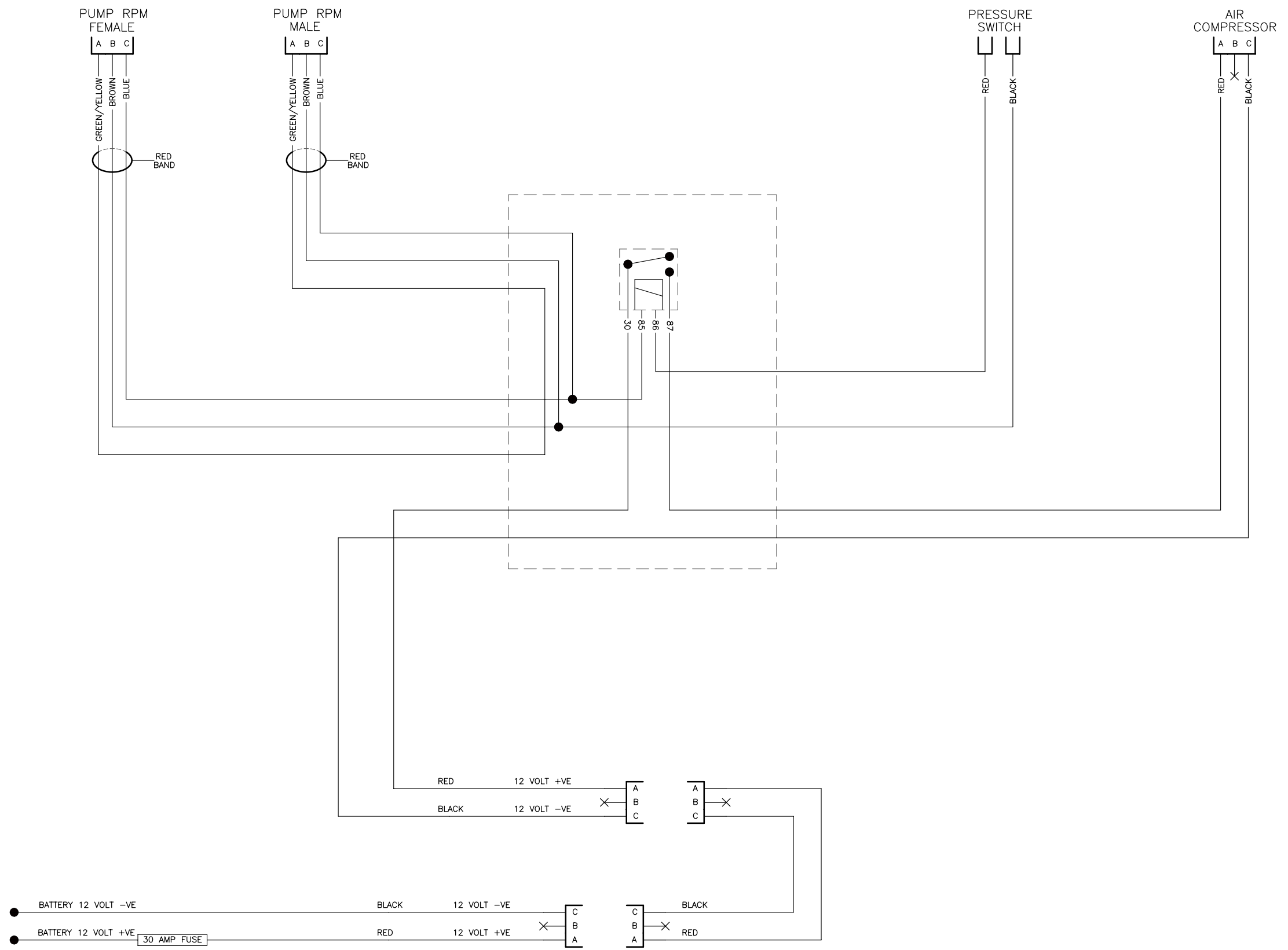
| PIN | DESIGNATION | COLOUR |
|-----|-------------|--------|
| A | 12V +VE | RED |
| B | SPARE | N/A |
| C | 12V -VE | BLACK |

| PIN | DESIGNATION | COLOUR |
|-----|-------------|--------|
| A | 12 + VE | RED |
| B | GROUND | BLACK |
| N/A | | |



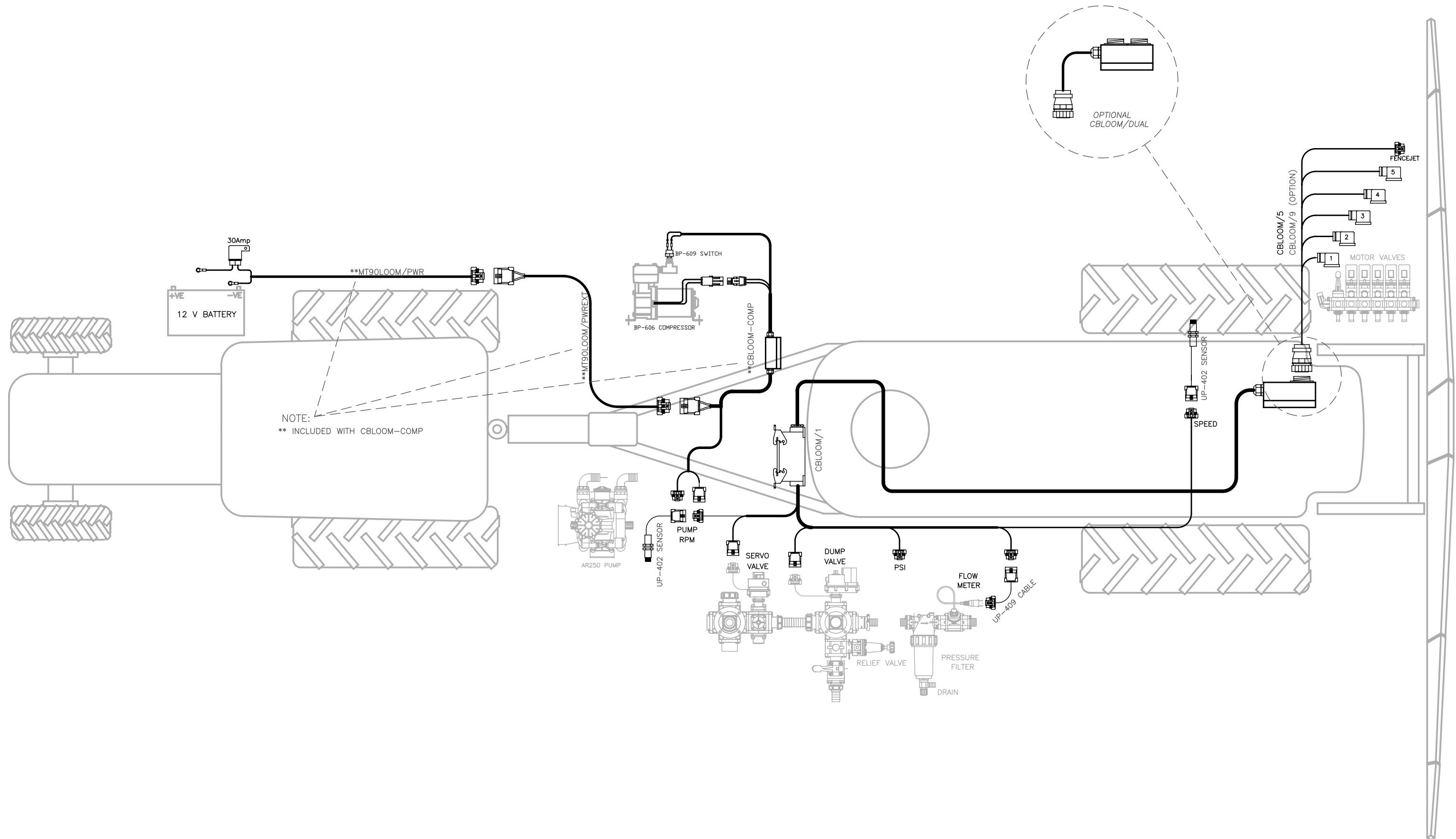
12 VOLT BATTERY
CONNECTION

| ITEM | PART NUMBER | DESCRIPTION | QTY. |
|------|-------------|----------------------------|------|
| 1 | | FUSE HOLDER 30AMP | 1 |
| 2 | | F/M 3PIN METRI-PAK LGE | 2 |
| 3 | | MALE 3PIN METRI-PAK LGE | 2 |
| 4 | | FEMALE 3PIN METRI-PAK STD | 1 |
| 5 | | MALE 3PIN METRI-PAK STD | |
| 6 | | MALE 2PIN WEATHER-PAK | 1 |
| 7 | | FM 2PIN W-PAK + PINS/SEALS | 1 |
| 8 | | FEMALE SPADE CRIMP | 2 |
| 9 | | RELAY BOX | 1 |
| 10 | CBLOOM-COMP | COMPRESSOR POWER LOOM | 1 |



CBLOOM-COMP
AIR COMPRESSOR POWER
SPRAYER LOOM

29th JUNE 2010



CBLOOM-COMP
 AIR COMPRESSOR POWER
 CB SERIES LOOM OVERVIEW