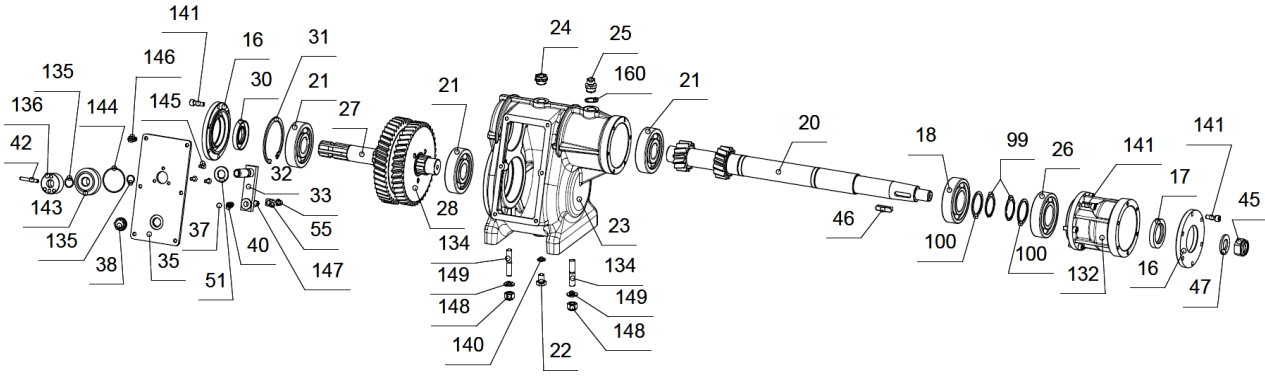


Ref.	Codice-Code	Qty.	D.1060 -1060FCRO03	D.1060 -1060FCRO03
1	RET00000354	1	RETE D. 1060 VERN. NERA	BLACK GUARD FOR D.1060
	<b>BULLONI0002</b>	<b>1</b>	<b>BULLONI X RETE ZN</b>	<b>BOLTS FOR GUARD</b>
2	CNI00000055	1	CNV/F1060/02 CONVOGLIATORE F1060 INOX	SS FAN HOUSING FOR 1060F
3	PIA00000562	1	PIASTRA PT/200/C F1060 D.1320 ZN	GALVANIZED BACKPLATE D.1320mm
	<b>BULLONI0242</b>	<b>1</b>	<b>BULLONI INOX BLOCCA CONVOGLIATORE SU PIASTR</b>	<b>SS BOLTS TO LOCK FAN HOUSING ON BACKPLATE</b>
	TEI00000030	28	TE 8X20 INOX	SS TE 8X20
	AUT00000108	28	AUTOBLOCCANTE 8MA ALTO INOX	SS LOCKNUT 8MA
52	CAV00000066	1	CV/F1060/01 CAVALLETTO VERNICIATO F1060	BLACK FRAME FOR 1060F
	<b>BULLONI0040</b>	<b>1</b>	<b>BULLONI X CAVALLETTO</b>	<b>BOLTS FOR FRAME</b>
48	BAN00000233	1	BN/F1060/14 BANDELLA DRITTA INOX	SS STRAIGHT DEFLECTOR BN/F1060/14
49	BAN00000234	1	BN/F1060/20 BANDELLA CENTRALE INOX	SS CENTRAL DEFLECTOR BN/F1060/20
	<b>BULLONI0242</b>	<b>1</b>	<b>BULLONI BLOCCA BANDELLE INOX F1060</b>	<b>BOLTS TO LOCK THE SS DEFLECTOR</b>
	TEI00000028	6	TE 6X20 INOX	SS TE 6X20
	AUT0000107	6	AUTOBLOCCANTE 6MA INOX	SS LOCKNUT 6MA
	RON0000202	6	RONDELLA 6X18 INOX	SS WASHER 6X18
	TEI00000032	1	TE 8X16 INOX	SS TE 8X16
	AUT0000108	1	AUTOBLOCCANTE 8MA INOX	SS LOCKNUT 8MA
150	CON00000031	1	CON/1060 CONO F1060	CONE FOR 1060
	<b>BULLONI0240</b>	<b>1</b>	<b>BULLONI INOX X CONO</b>	<b>SS BOLTS FOR CONE</b>
300	DIS00000129	7	DISTANZIERE F1060 H50 NERO	BLACK H.50 SPACER
	TEI00000049	7	TE 8X80 INOX	SS. TE 8X80
	RON00000350	7	RONDELLA NYLON 8X24X3	NYLON WASHER 8X24X3
	RON00000207	14	RONDELLA 8X22 INOX	SS WASHER 8X22
	AUT00000108	7	AUTOBLOCCANTE 8MA ALTO INOX	SS LOCKNUT 8MA
304	PIA00000213	1	CONTROPIASTRA F1060/50 DX ZN	GALV. RIGHT PLATE F1060/50
305	PIA00000214	1	CONTROPIASTRA F1060/60 SX ZN	GALV. LEFT PLATE F1060/60
	TCC00000028	5	TCCE 6X10 ZN PER CONTROPIASTRE	GALV. TCCE 6X10 FOR PLATES
4	<b>TUB0000087DX</b>	<b>1</b>	<b>TUBO INOX COMPLETO 8M. DX X F1060</b>	<b>SS COMPL. MANIFOLD 8 CLAMPS RIGHT F1060</b>
4	<b>TUB0000087SX</b>	<b>1</b>	<b>TUBO INOX COMPLETO 8M. SX X F1060</b>	<b>SS COMPL. MANIFOLD 8 CLAMPS LEFT F1060</b>
4G	TAP000000001	1	TAPPO 1/2 GAS F.	1/2 GAS F. CUP
4M	CUR000000001	1	CURVA 1/2 - 1/2 GAS	1/2 - 1/2 GAS ELBOW
4P	PRO000000023	8	PROLUNGA M-F CILINDRICA 1/4" H43	CYLINDRIC EXTENSION 1/4 H.43
4T	TUB000189DX	1	TUBO INOX 8FORI F1060 DX mm	SS PIPES 8 HOLES RIGHT X F1060
4T	TUB000189SX	1	TUBO INOX 8FORI F1060 SX mm	SS PIPES 8 HOLES LEFT X 1060
	<b>MOR000000003</b>	<b>8</b>	<b>MORSETTO COMPLETO</b>	<b>COMPLETE CLAMP</b>
4A	MOR000000001	8	MORSETTO 1/4 F GAS	1/4F GAS CLAMP
4C	OR000000014	8	OR 3030 VITON	OR3030 VITON
4E	TCC00000119	16	TCCE 6X14	6X14 BOLT
	<b>BULLONI0063</b>	<b>1</b>	<b>BULLONI X TUBI</b>	<b>BOLTS FOR MANIFOLDS</b>
	STA000000001	6	STAFFE ZINCATE PER TUBI	GALVANISED STIRRUPS FOR PIPES
	TER000000009	6	TER80 10X25	TER80 10X25
	AUT000000001	6	AUTOBLOCCANTE 10MA ALTO	10MA LOCKNUT
5	<b>TUB0000088DX</b>	<b>1</b>	<b>TUBO INOX COMPLETO 5M. DX X F1060</b>	<b>SS COMPL. MANIFOLD 5 CLAMPS RIGHT F1060</b>
5	<b>TUB0000088SX</b>	<b>1</b>	<b>TUBO INOX COMPLETO 5M. SX X F1060</b>	<b>SS COMPL. MANIFOLD 5 CLAMPS LEFT F1060</b>
5G	TAP000000001	1	TAPPO 1/2 GAS F.	1/2 GAS F. CUP
5T	TUB000190DX	1	TUBO INOX 5FORI F1060 DX mm	SS PIPES 5 HOLES RIGHT X F1060
5T	TUB000190SX	1	TUBO INOX 5FORI F1060 SX mm	SS PIPES 5 HOLES LEFT X 1060
	<b>MOR000000003</b>	<b>5</b>	<b>MORSETTO COMPLETO</b>	<b>COMPLETE CLAMP</b>
5A	MOR000000001	5	MORSETTO 1/4 F GAS	1/4F GAS CLAMP
5C	OR000000014	5	OR 3030 VITON	OR3030 VITON
5E	TCC00000119	10	TCCE 6X14 INOX	6X14 BOLT
128	<b>BULLONI0064</b>	<b>1</b>	<b>KIT COLLARE BLU TUBI SU CNV 720/820/920</b>	<b>KIT BLU CLAMP WITH BOLTS</b>
	COL000000001	6	COLLARE X TUBI	GREEN CLAMP FOR PIPES
	TCC000000008	6	TCCE 6X35 ZN	GALV. TCCE 6X35
	TCC000000009	6	TCCE 6X40 ZN	GALV. TCCE 6X40
	RON00000104	12	RONDELLA 6X18 ZN	GALV. WASHER 6X18
	AUT000000004	12	AUTOBLOCCANTE 6MA ZN	LOCKNUT 6MA
10-11	<b>VNF10600004</b>	<b>1</b>	<b>VENTOLA ANODIZZATA F1060 CON FRIZIONE</b>	<b>ANODIZED FAN F1060 COMPLETE OF CLUTCH</b>
			<b>CAMBIO VERNICIATO GRIGIO CM15</b>	<b>GRAY PAINTED GEARBOX CM15</b>
299	MOLZZ000061	1	MOLTIPLICATORE VERNICIATO GRIGIO SENZA LEVA	CM15 GRAY PAINTED GEARBOX WITHOUT LEVER
302	KIT00000126	1	KIT LEVA DRITTA COMPLETA	KIT STRAIGH LEVER
303	KITFIT00110	1	KIT LEVA MOBILE COMPLETA	KIT MOBILE LEVER
306	KITFIT00128	1	KIT STAFFA PORTA LEVA MOBILE	KIT BRACKET MOBILE LEVER

**CM15-GRAY PAINTED**

aggiornato al 7/5/2015



MULTIPLICATORE VERNICIATO GRIGIO CM15	GEARBOX GRAY PAINTED CM15
---------------------------------------	---------------------------

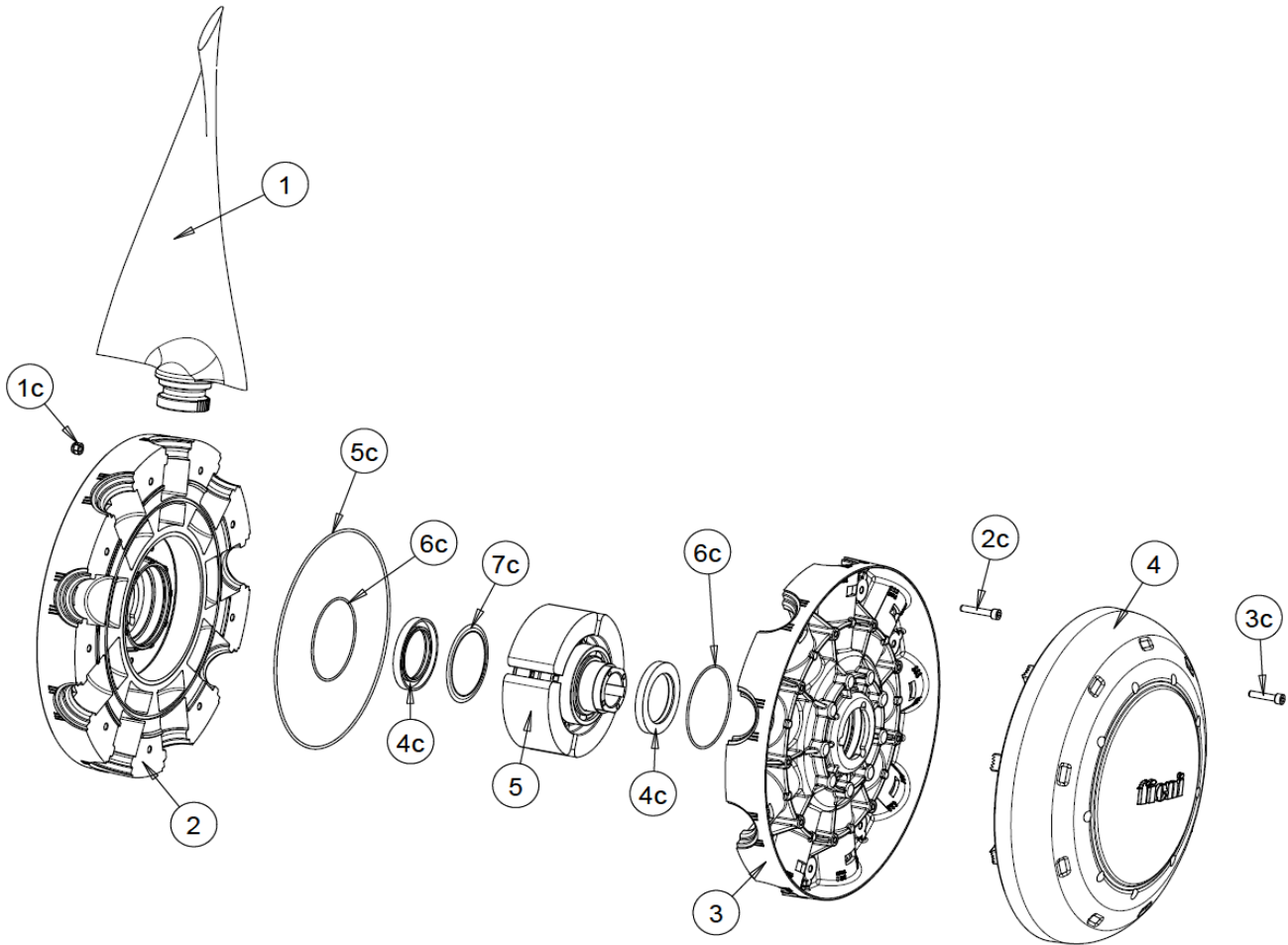
ref.	code	q.t	MULTIPLICATORE VERN.GRIGIO SENZA LEVA CM15	GEARBOX GRAY PAINTED CM15- WITHOUT LEVER
	<b>MOLZZ000061</b>	<b>1</b>	<b>MULTIPLICATORE VERN.GRIGIO SENZA LEVA CM15</b>	<b>GEARBOX GRAY PAINTED CM15- WITHOUT LEVER</b>
16	FUS00000058	2	V2G/10 COPERCHIO TONDO	V2G/10 ROUND COVER
17	PAR00000007	1	PARAOLIO 45X65X10 NBR TC	45X65X10 SEAL
18	CUS00000021	1	CUSCINETTO 6309	6309 BEARING
20	PGN00000061	1	PIGNONE Z13-14 CM15/20	CM15/20 SHAFT Z13-14
21	CUS00000022	3	CUSCINETTO 6407	6407 BEARING
22	TER00000011	1	TE R80 12X16	12X16 BOLT
23	FUS00000298	1	CM15/10 SCATOLA CAMBIO CM15	CM15/10 GEARBOX CASING
24	TAP00000002	1	TAPPO CARICO OLIO TSN12	TSN12 OIL LOADING CAP
25	SFI00000002	1	SFIATATOIO OLIO KMW12	KMV12 OIL BREATHER
26	CUS00000030	1	CUSCINETTO 6309 2RS	6309 2RS BEARING
27	PER00000097	1	PERNO CM15/30	SPLINING PIVOT CM15/30
28	COR00000102	1	CORONA Z41-43 CM15/50/40	GEAR Z41-43 CM15/50/40
30	PAR00000027	1	PARAOLIO 35X65X10 NBR SC	35X65X10 SEAL
31	SEG00000009	1	SEGER I 100	I 100 CIRCLIP
99	ANE00000033	2	V2G/50 ANELLINO 45X55X2	V2G/50 45X55X2 RING
100	SEG00000007	2	SEGER E 45	E 45 CIRCLIP
132	FUS00000006	1	PROLUNGA V2G/L/10	V2G/L/10 EXTENSION
134	PRI00000011	6	PRIGIONIERO 12X60 V2G/82	12X60 STUD V2G/82
148	AUT00000002	6	AUTOBLOCCANTE 12MA ALTO	12MA LOCKNUT
149	RON00000115	6	RONDELLA 12X24 ZN	12X24 WASHER
140	RON00000300	1	RONDELLA 12X17X1,5	12X17X1,5 WASHER
141	TCC00000013	18	TCCE 8X25	TCCE 8X25
160	GUA00000006	1	GUARNIZIONE ALLUMINIO 21X27X1,5	ALLUMINIUM SEALING
↓	KIT00000040*	1	KIT COPERCHIO RETTANGOLARE - CM15	KIT- CM15 RECTANGULAR COVER
↓	BULLONI0135*	1	BULLONI BLOCCAGGIO ELICA SU CAMBIO	BOLTS TO LOCK THE FAN ON THE GEARBOX

KIT00000040*	1	KIT COPERCHIO RETTANGOLARE - CM15	KIT- CM15 RECTANGULAR COVER
32	BIE00000013	1	V2C BIELLA COMPLETA
33	SEG00000001	1	SEGER E 10
35	COP00000057	1	COPERCHIO RETTANGOLARE CM15/60
37	SFE00000004	1	SFERA D.11
38	LIV00000001	1	LIVELLO OLIO 1/2
40	MLL00000020	1	MOLLA CM9/12
42	SPI00000005	1	SPINA ELASTICA 6X45
51	RON00000101	1	RONDELLA 18X34X3
55	CUB00000001	1	V2G/40 CUBO TEMPERATO
135	OR00000002	2	OR 2056
136	POR00000002	1	PORTA LEVA CM9/03
143	FLA00000020	1	CF/V1/70 FLANGIA X PORTALEVA
144	OR00000023	1	O RING 2200
145	TPS00000011	3	TPSCE 6X14
146	TCC00000011	6	TCCE 8X20
147	PER00000099	1	PERNO PORTA CUBO CM15/70

BULLONI0135*	1	BULLONI BLOCCAGGIO ELICA CG	BOLTS TO LOCK THE FAN ON THE GEARBOX
45	AUT00000010	1	AUTOBLOCCANTE 24
46	CHI00000001	1	CHIAVETTA 10X8X40
47	RON00000103	1	RONDELLA 24X44X4

## VNF10600004 ANODIZE TYPE CROPLANDS- D. 1060 FAN

aggiornato al 7/5/2015



## VNF10600004 ANODIZE TYPE CROPLANDS- D. 1060 FAN

Ref.	Codice-Code	Qty.	VENTOLA COMPLETA D.1060mm-CROPLANDS	D.1060mm ANODIZE COMPLETE FAN - CROPLANDS
	<b>VNF10600004</b>	<b>1</b>	<b>VENTOLA COMPLETA D.1060mm-CROPLANDS</b>	<b>D.1060mm ANODIZE COMPLETE FAN - CROPLANDS</b>
1	PAL00000087	9	VNF1060/01 PALA NYLON D.1060mm	VNF1060/01 NYLON BLADE D.1060mm
1c	AUT00000004	9	AUTOBLOCCANTE M6	M6 LOCKNUT
2	FUS00000292	1	MIMOZZO ANODIZZATO VNS/30 MASCHIO CON FERRO	ANODIZE HALF HUB VNS/30 MALE WITH LINING
2c	TCC00000008	9	TCCE 6X35	TCCE 6X35
3	FUS00000291	1	MIMOZZO ANODIZZATO VNS/20 FEMMINA CON FERRO	ANODIZE HALF HUB VNS/20 FEMALE WITH LINING
3c	TCC00000142	9	TCCE 6X30 INOX	TCCE 6X30 SS
4	COP00000043	1	COPERCHIO GIALLO VNS"Fieni"	YELLOW "Fieni" VNSFAN COVER
4c	ANE00000063	1	ANELLO 79X71X0,6	79X71X0,6 RING
5	FRI00000021	1	FRIZIONE VNFx4 CG	VNSx4 CG CLUTCH
5c	ORM00000001	2	OR 800-20	OR 800-20
6c	OR000000062	1	OR 3850	OR 3850
7c	PAR00000025	2	PARAOILIO 50X72X8 SC	50X72X8 SEAL