



CROPLANDS

# Polypropylene Hydraulic Motor Driven Centrifugal Pump



## FMC-75-HYD

- Suction 1" Discharge 3/4"
  - 204** motor requires 4 GPM (15.1 LPM) hydraulic flow on PC Closed and Open Center Systems
  - 206** motor requires 7 GPM (26.75 LPM) hydraulic flow on LS Closed and Open Center Systems
- Integral Needle Valve bypasses up to 9 GPM (34 LPM) on Open Center Systems
- Standard Viton® Carbon/Ceramic or Optional Severe Duty Silicon Carbide Mechanical Seal
- Polypropylene Corrosion Resistant Construction
- Stainless Steel Shaft and Hardware

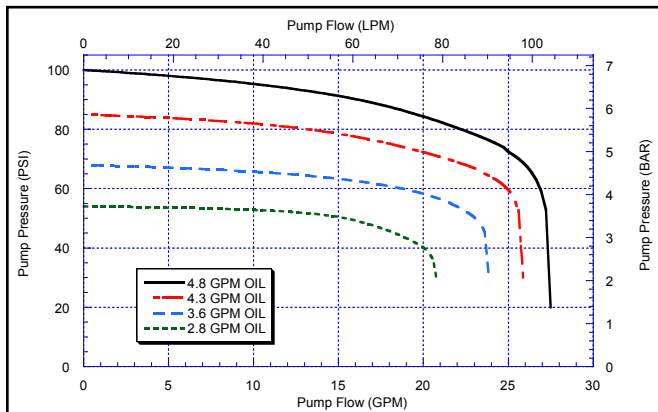
**Maximum Fluid Temperature - 140° F**

**Do Not Run Dry** - Seal damage will result from running dry. Impeller damage may also occur if run dry for an extended period.

**Do Not Run With Flow Shutoff For Extended Periods**

Running the pump with no flow for extended periods of time will result in excessive heat and pump failure. A continuous bypass is recommended for low flow applications.

## PERFORMANCE CHART

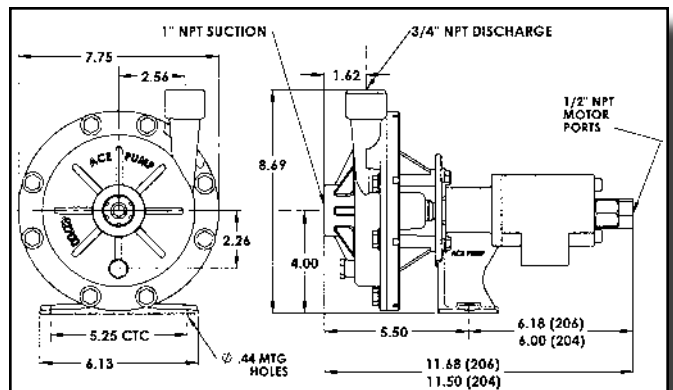


Oil Flow	GPM	4.8	4.3	3.6	2.8
Conversion	LPM	18.2	16.3	13.6	10.6

Maximum Shutoff Pressure 100 PSI

Note: Performance for pump with 204 motor.

## DIMENSIONS



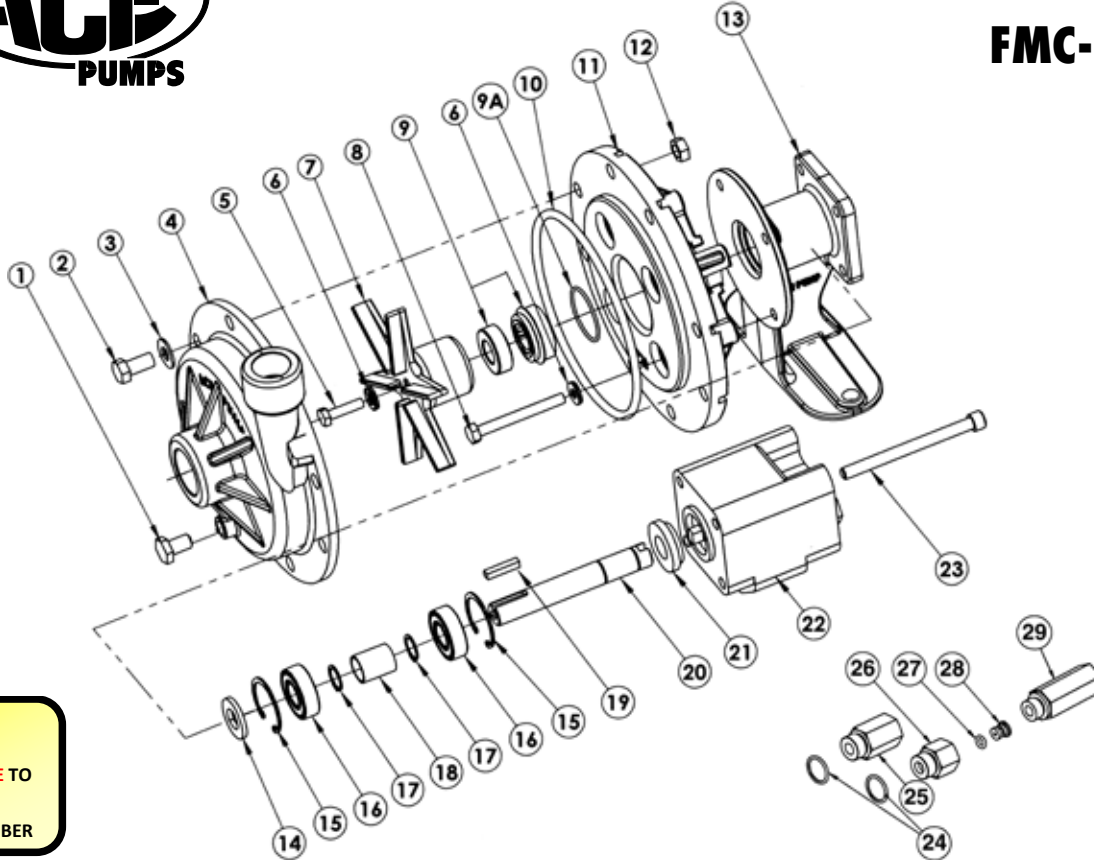
INCHES	11.68	11.50	8.69	7.75	6.18	6.13	6.00
MM	296.7	292.1	220.7	196.9	157.0	155.7	152.4

INCHES	5.50	5.25	4.00	2.56	2.26	1.62
MM	139.7	133.4	101.6	65.0	57.4	41.1

Viton® is a registered trademark of DuPont Dow Elastomers.



# FMC-75-HYD



**NOTE**

PLEASE ADD PREFIX **ACE** TO  
EDP# TO REFLECT  
CROPLANDS PART NUMBER

**NOTE**

SOME PARTS ARE NON-STOCK  
ITEMS AND MAY NEED TO BE  
ORDERED

REF. #	PART NO.	EDP #	DESCRIPTION	REQ.
1	BAC-53-P	41109	Pipe plug, 1/8" NPT, plastic	1
2	80250	80250	Cap screw, 3/8"-16 x 7/8", hex head	8
3	42701	42701	Washer, 3/8" flat	8
4	GE-12-75	42700	Volute, 3/4" x 1", polypropylene	1
5	42240	42240	Cap screw, 1/4"-28 x 1", hex, stainless steel	1
6 <sup>①②</sup>	30028	30028	Washer, sealing	5
7	GE-26-75	42710	Impeller, with keyway, polypropylene	1
8	42238	42238	Cap screw, 5/16"NF x 2-1/4"	4
9 <sup>①</sup>	BAC-7-75V	42730	Seal, 5/8", Viton®/carbon/ceramic	1
9 <sup>②</sup>	BAC-7SC-75V	42731	Seal, 5/8", Viton®/silicon carbide (optional)	1
9A <sup>①②</sup>	40159	40159	"O" Ring, seal seat	1
10 <sup>①②</sup>	40017	40017	"O" Ring, volute seal	1
11	GE-14-75	42720	Bracket, polypropylene	1
12	BAC-45	41010	Nut, hex, 3/8"	8
13	BAC-14-75-HYD	40293	Mounting frame (for BAC-75-HYD-204R, 206R hydraulic motor)	1
14	BAC-54	41130	Slinger	1
15	BAC-33	40810	Snap ring, internal, BAC-14 mounting frame	2
16	BAC-37	40870	Bearing, BAC-6 driven shaft	2
17	BAC-32	40790	Snap ring, external, BAC-6 driven shaft	2
18	BAC-32-S	40795	Spacer for BAC-6 shaft	1
19	41082	41082	Key, 3/16" x 3/16" x 15/16"	1
20	BAC-6-75-HYD-SS	40048	Shaft, 5/8" Driven shaft with tang slot, stainless steel	1
21	S200	40161	Seal support spacer for 200 series hydraulic lip seal	1
22	BAC-75-HYD-204R	41437	Hydraulic motor, 4 GPM	1
22	BAC-75-HYD-206R	41397	Hydraulic motor, 7 GPM	1
23	41253	41253	Cap screw, 5/16" NC x 3 1/2" socket head (for 204 motor)	4
23	41255	41255	Cap screw, 5/16" NC x 3 3/4" socket head (for 206 motor)	4
24	41875	41875	O-ring, #8 SAE fitting	2
25	BAC-78-8SAE	41441	Reverse check assembly, #8 SAE male x 1/2" NPT female	1
26	BAC-80-8SAE	41455	Body, restrictor orifice, #8 SAE male x 1/2" NPT female	1
27	41448	41448	O-ring, orifice insert	1
28	BAC-79-5	41457	Orifice, restrictor insert, .078 (204)	1
28	BAC-79-7	41456	Orifice, restrictor insert, .109 (206)	1
29	LS-204N	41417	Flow limiting valve (204), #8 SAE male x 1/2" NPT female	1
29	LS-206N	41418	Flow limiting valve (206), #8 SAE male x 1/2" NPT female	1
①	RK-GE-75	60840	Repair kit for FMC-75-HYD series	-
②	RK-GESC-75	60841	Repair kit for FMC-75-HYD series with silicon carbide shaft seal	-