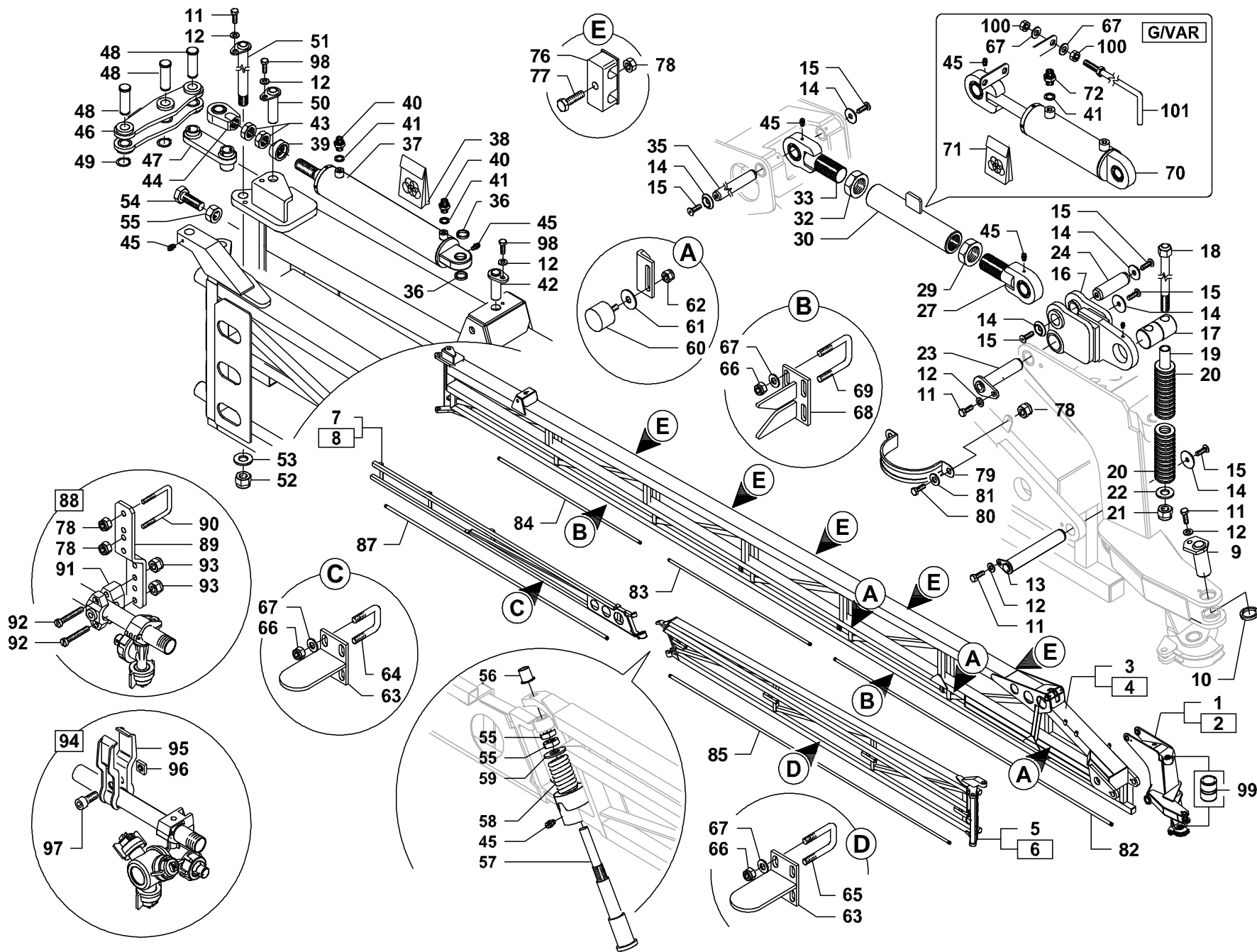


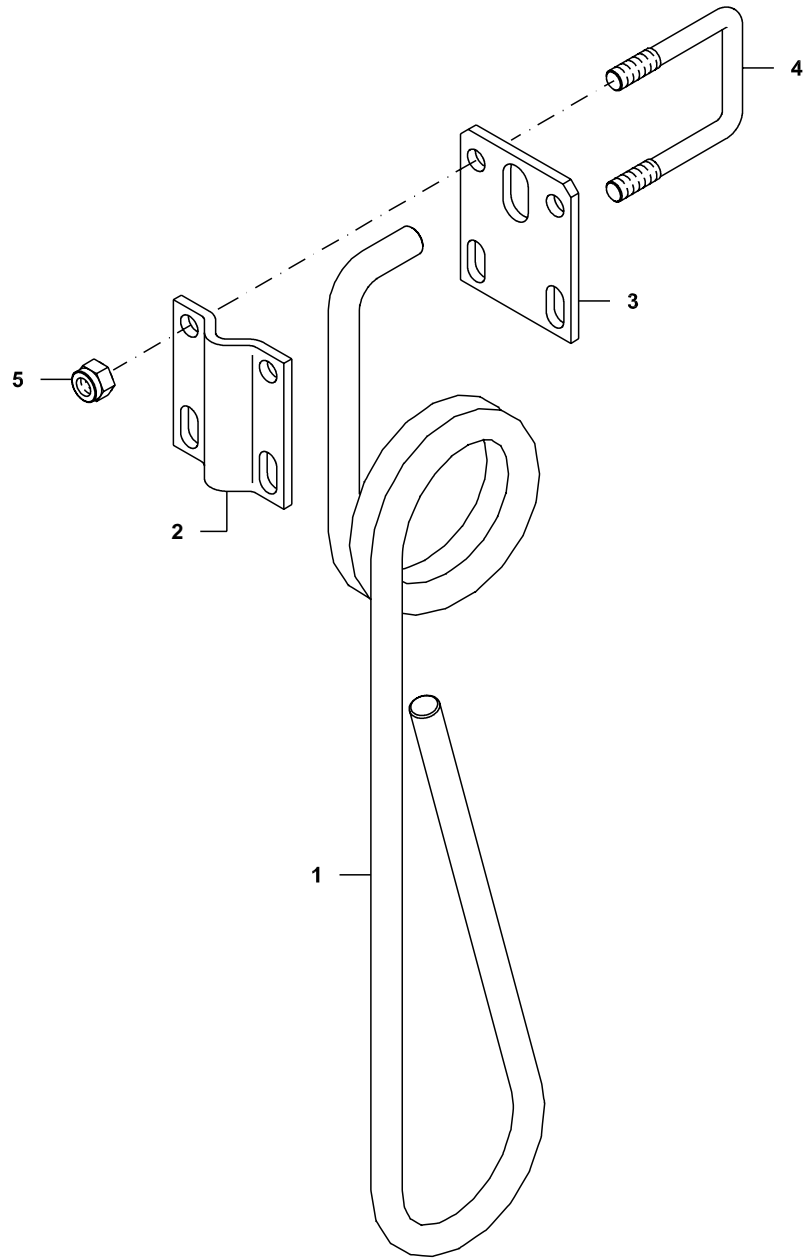
1	BG026414	DX
2	BG026415	SX
3	BG025150	DX
4	BG025151	SX
5	GG023000050V	DX
6	GG023000051V	SX
7	GG022800080V	DX
8	GG022800081V	SX
9	GG392000330V	
10	GG392000335Z	
11	GG900110025Z	
12	GG907200010Z	
13	BG025153	
14	GG500400008Z	
15	GG900710025Z	
16	BG006429	
17	GG500100145Z	
18	GG023200209Z	
19	GG500200037Z	
20	GG919900043V	
21	GG905400020	
22	GG907120046Z	
23	GG500100058V	
24	GG500100044	
27	BG017659	
29	BG017662	
30	BG017657	
32	BG017660	
33	BG017658	
35	BG006427	
36	GG500200029Z	
37	BG024772	
38	BG024776	
39	BG003273	
40	GG570500010Z	
41	BB50243113	
42	GG500100055V	
43	GG905220027Z	
44	GG920100043Z	
45	GG919800020	
46	BG006461	
47	GG023200216V	
48	BG006426	
49	BG000187	
50	GG500100110V	
51	GG500100146V	
52	GG905400024	
53	GG907025044Z	
54	GG900124050Z	
55	GG905200024Z	

BDL PLUS G/VAR 30 - 30,5 m

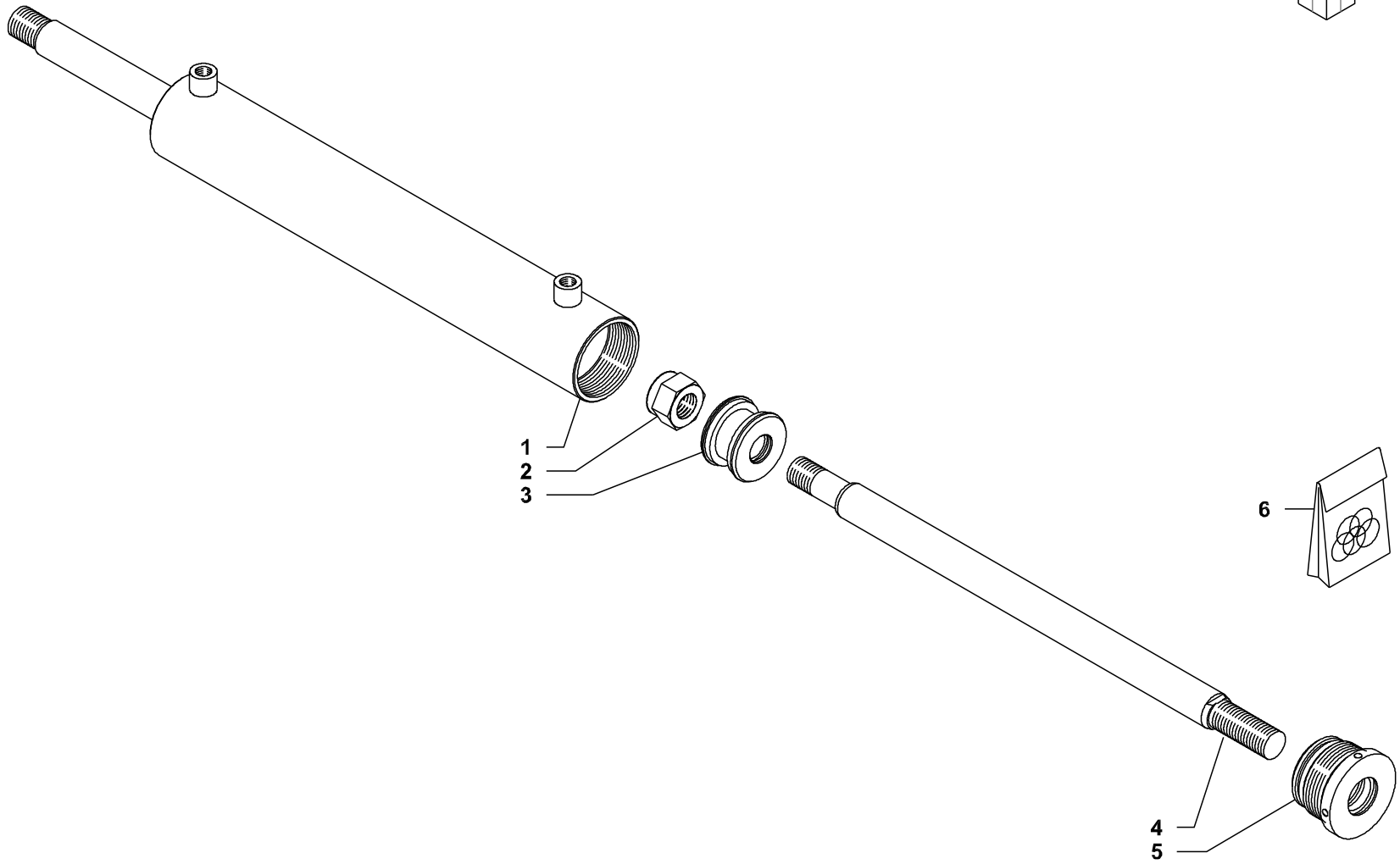


56	GG500200049	
57	GG500100111Z	
58	GG919900023Z	
59	GG500400019Z	
60	GG950200004	L=20
60	GG950200001	L=30
61	GG907108024Z	
62	GG905400008	
63	GG022400053V	
64	GG500500003Z	
65	GG500500001Z	
66	GG905400010	
67	GG907010021Z	
68	GG022400054V	
69	GG500500002Z	
70	BG006474	
71	GG996000418	
72	GG570500011Z	
76	GG950200058	
77	GG900306035Z	
78	GG905300006	
79	GG950200059	
80	GG900106016Z	
81	GG907106018Z	
82	GG550701500	
83	GG550401500	
84	GG550401500	
85	GG550701500	
87	GG550601500	
88	GG999900100	
89	GG201800418V	
90	GG500500004Z	
91	GGA00425130	
92	GG904506040X	
93	GG905400006X	
94	GG999900004Z	
95	GG500600002Z	
96	GG900508022Z	
97	GG906000008Z	
98	GG900110020Z	
99	BG000067	
100	GG905100010Z	
101	GG271600045V	

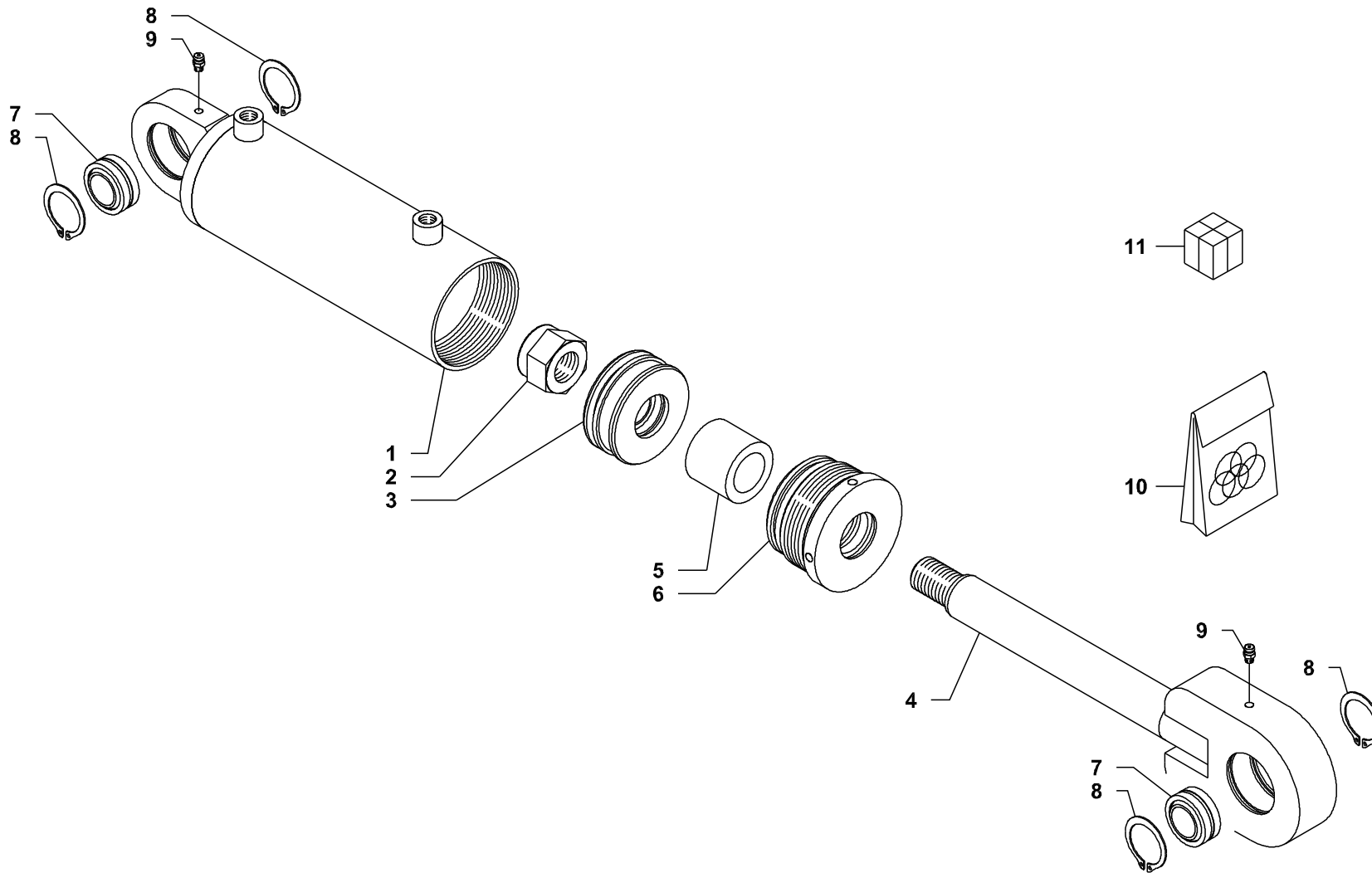
BDL PLUS G/VAR 30 - 30,5 m



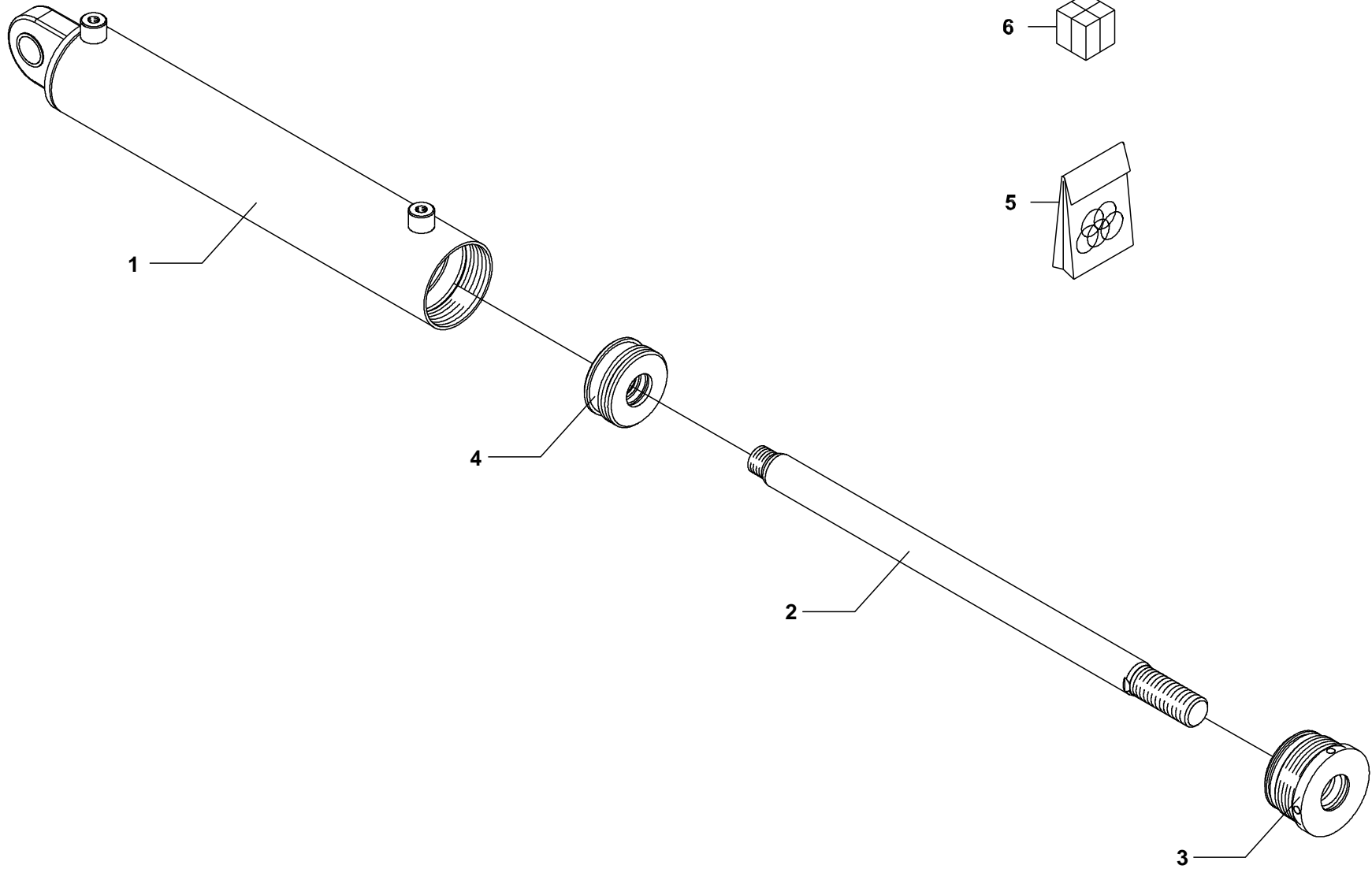
- 1 BG016220
- 2 BG016280
- 3 BG016282
- 4 GG500500002Z
- 5 GG905400010



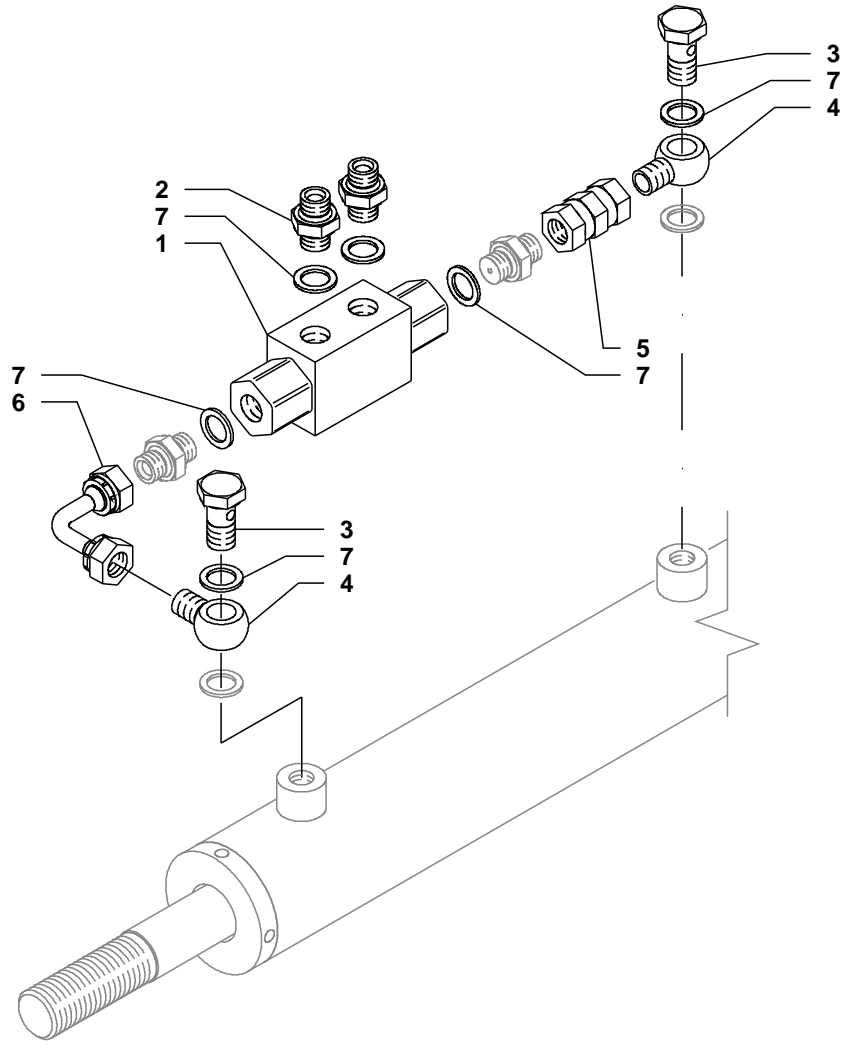
- 1 BG000105
- 2 GG905420027
- 3 BG000121
- 4 BG000099
- 5 GG703570435
- 6 BG000117
- 7 GG703570018V



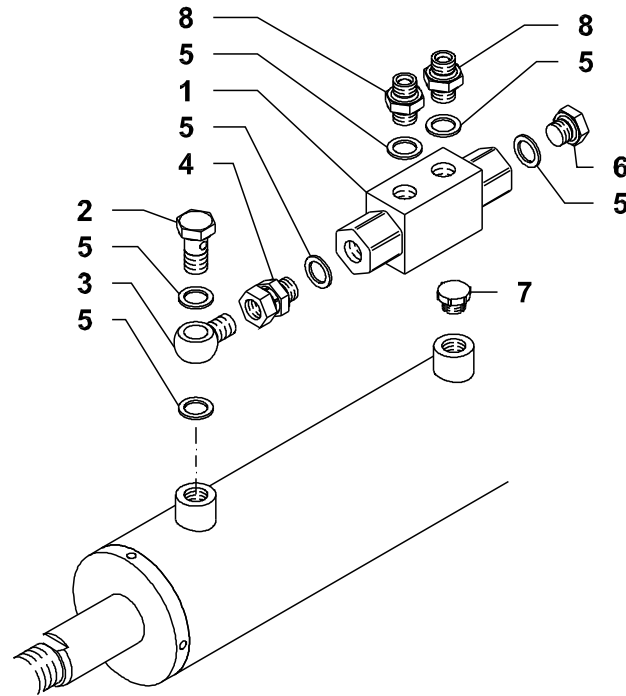
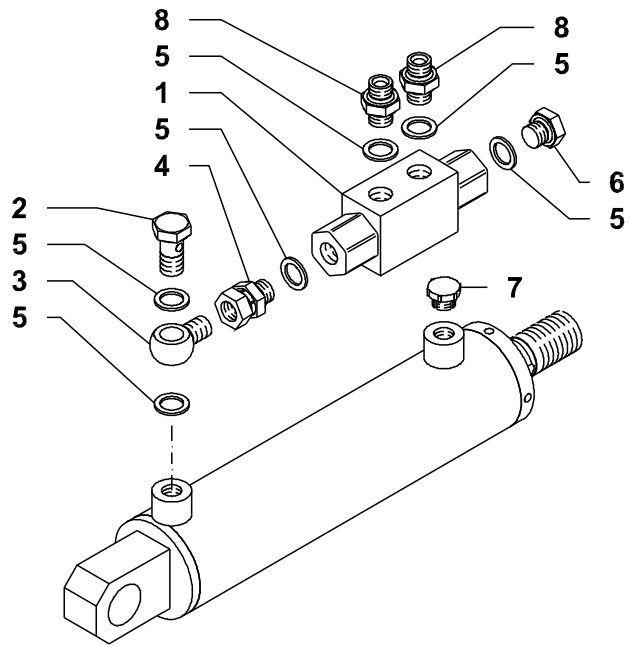
- | | |
|----|-------------|
| 1 | BG007868 |
| 2 | GG905420027 |
| 3 | BG003025 |
| 4 | BG007869 |
| 5 | BG007890 |
| 6 | BG000131 |
| 7 | BB41250130 |
| 8 | BB50136047 |
| 9 | GG919800020 |
| 10 | BG003020 |
| 11 | BG006474 |



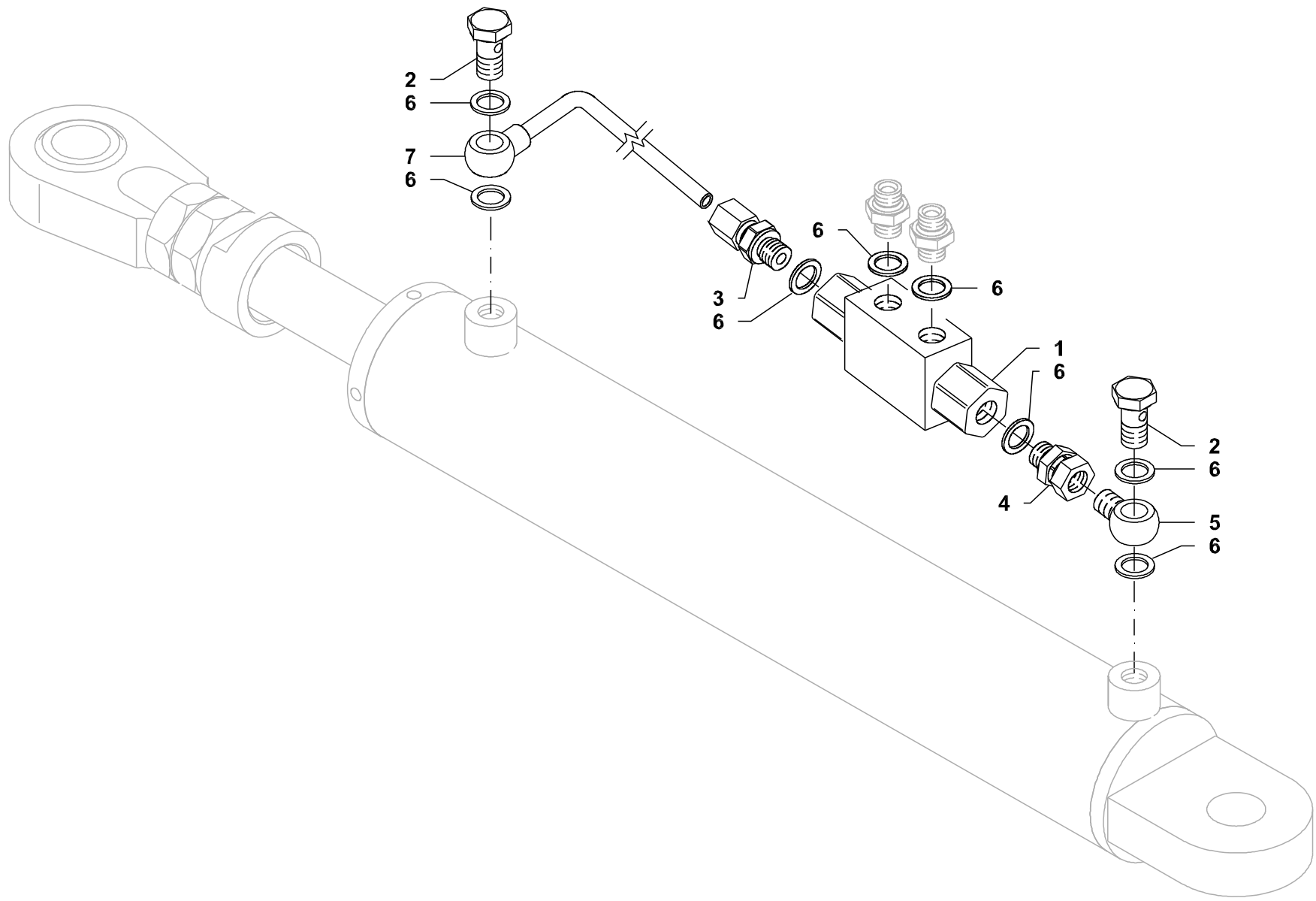
1	BG024774	
2	GG703000022	
3	BG024773	
4	BG024775	
5	BG024776	
6	BG024772	



- 1 GG750300001
- 2 GG740000013Z
- 3 GG570100031Z
- 4 GG570100030Z
- 5 GG740000020Z
- 6 GG740000034Z
- 7 GG600500001



- 1 GG750300001
- 2 GG570100031Z
- 3 GG570100030Z
- 4 GG740000023Z
- 5 GG600500001
- 6 GG740000072Z
- 7 GG750400022
- 8 GG570500010Z



- | | |
|---|--------------|
| 1 | GG750300009 |
| 2 | GG570100031Z |
| 3 | GG740000037 |
| 4 | BB50227003 |
| 5 | GG570100030Z |
| 6 | BB50243113 |
| 7 | GG750300027Z |