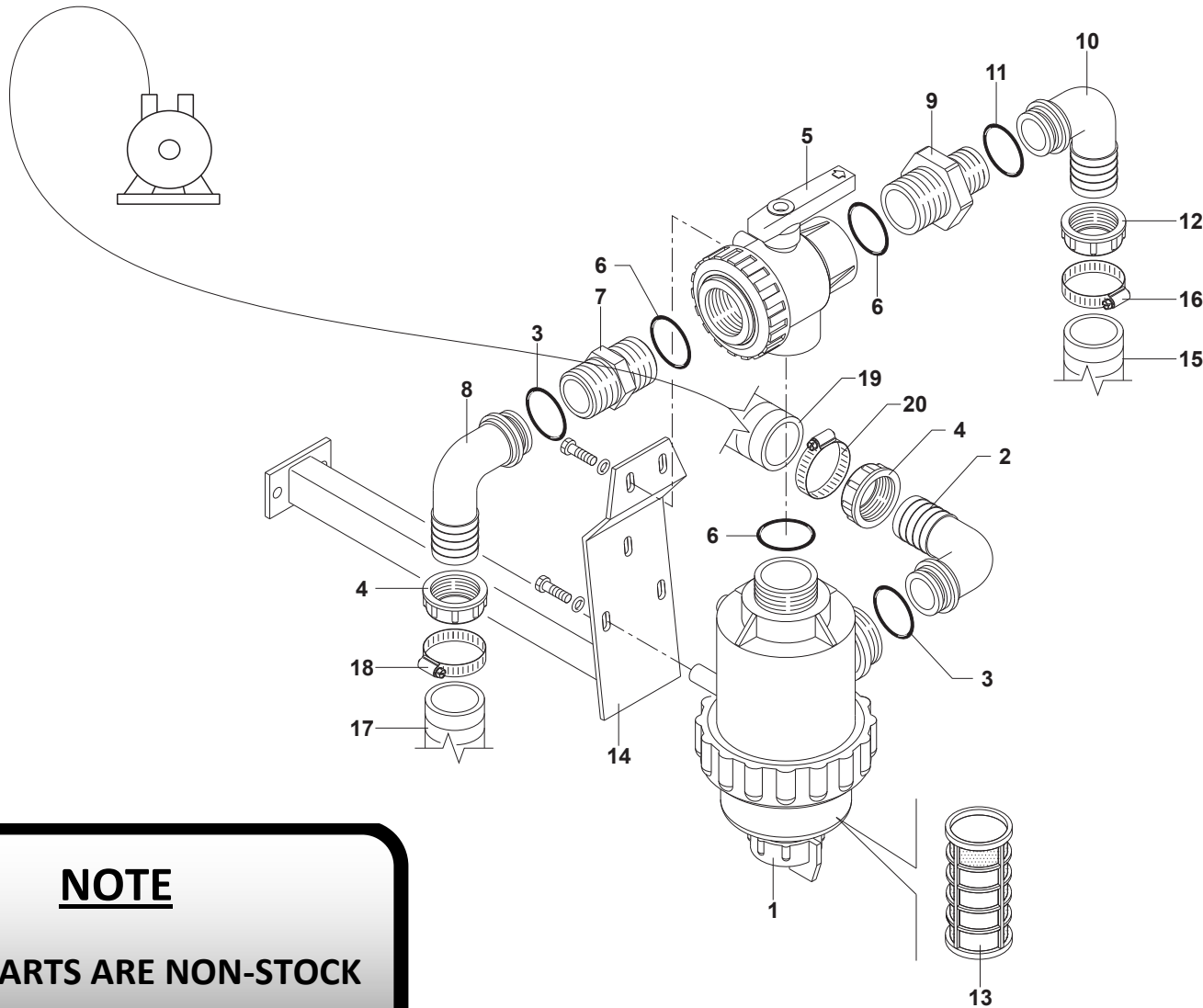


1	BG023715	
2	GG950150050	
3	GG500100025Z	
4	GG500100020Z	
5	GG919800004Z	
6	BG023043	900
6	BG023044	1100
6	BG022892	1300
7	GGA00300130	
8	GGA001202077S	
9	GGA00G10073	
10	GGA00G40007	
11	GGA002502071	
12	GGA002052070	
13	BG023778	
14	GGA00G10071	
15	GGA002002070	
16	GG565080000	
17	GG919738050X	
18	BG022893	
19	BG013981	
20	BG023602	
21	GG630100020	
22	GGA001202033	
23	GGA002452033	
24	BG009488	
25	GGA00G40015	
26	GGA001132215	
27	GGA00G40002	
28	GG561692000	
29	GG919701002	
30	GG630100012	
31	BG020109	
32	GG919800006Z	
33	GGA00356060	
34	A-356660.620NB	
35	GG919848035	
36	GGA004542135	
37	GGA00G10052	
38	GGA002502050	
39	BG009488	
40	GGA00116750	
41	GGA001262055	
42	BG019111	900
43	BG024968	1100
43	BG024969	1300
43	BG024970	1300



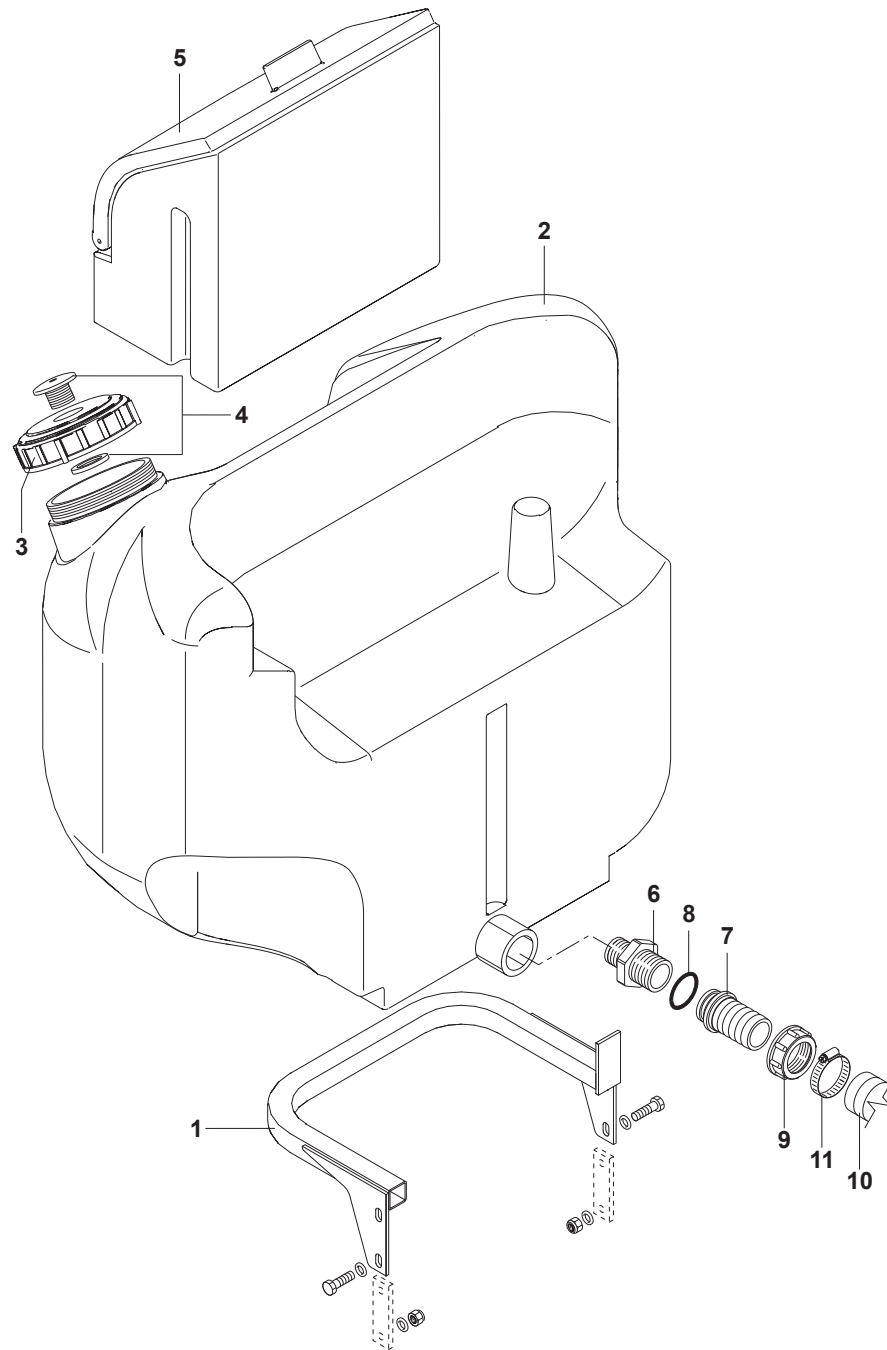
1	GGA00316473	
2	GGA00116740	D. 40
2	GGA00116750	D. 50
3	GGA00G10071	
4	GGA002002070	
5	GGA004542237	
6	GGA00G10073	
7	GGA002502070	
8	GGA00116750	D. 50
9	GGA002402076	
10	GGA00116640	D. 40
11	GGA00G10061	
12	GGA002002060	
13	GGA316003.030	
14	BG023898	MEC
14	BG025250	SPECIAL
15	GG56408000	D. 40
16	GG919727051X	
17	GG56508000	D. 50
18	GG919738050X	
19	GG50408000	D. 40
19	GG56508000	D. 50
20	GG919727051X	D. 40
20	GG919738050X	D. 50

**NOTE**

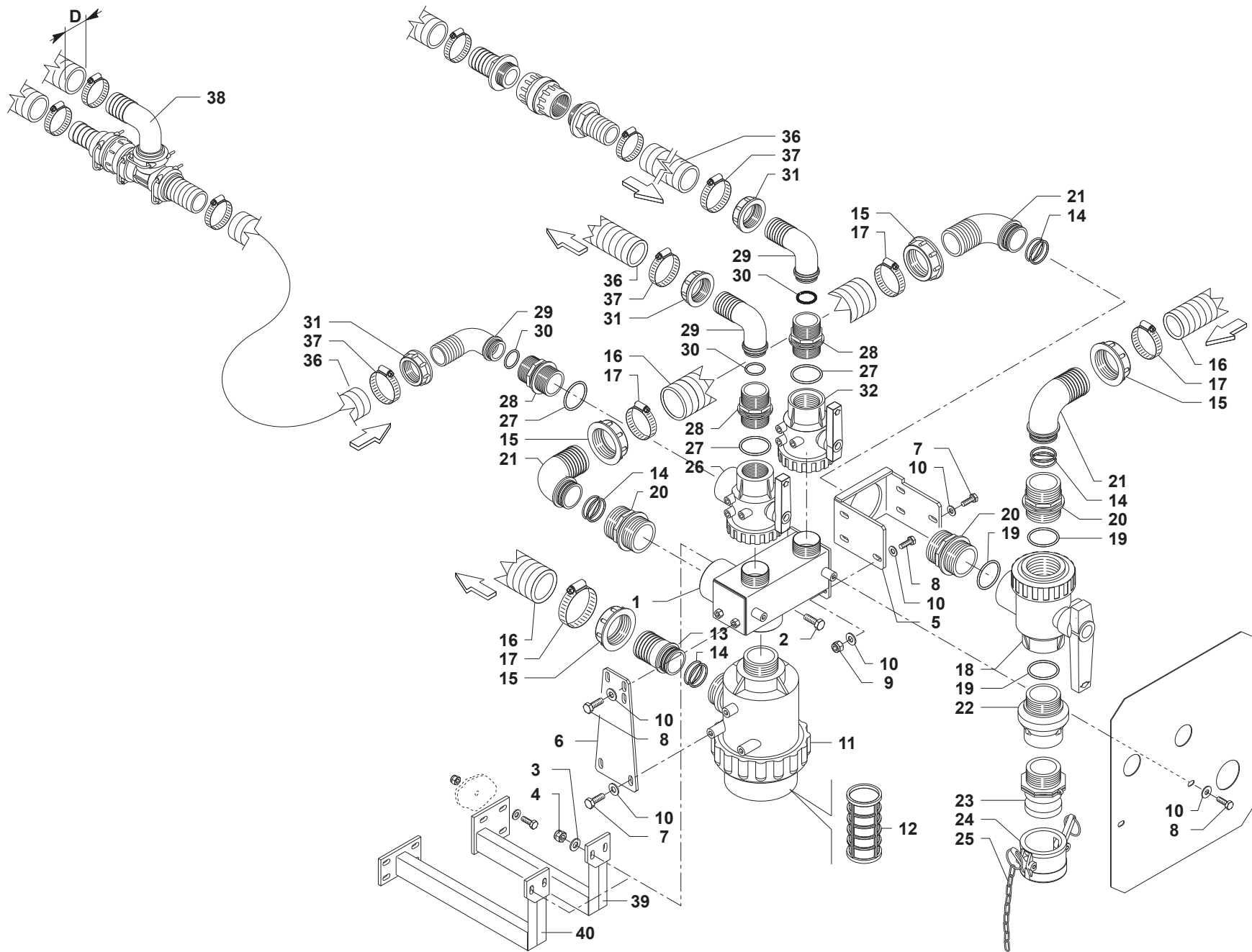
**SOME PARTS ARE NON-STOCK  
ITEMS AND MAY NEED TO BE  
ORDERED**

**NOTE**

**PLEASE ADD PREFIX **GB**  
TO REFLECT CROPLANDS  
PART NUMBER**

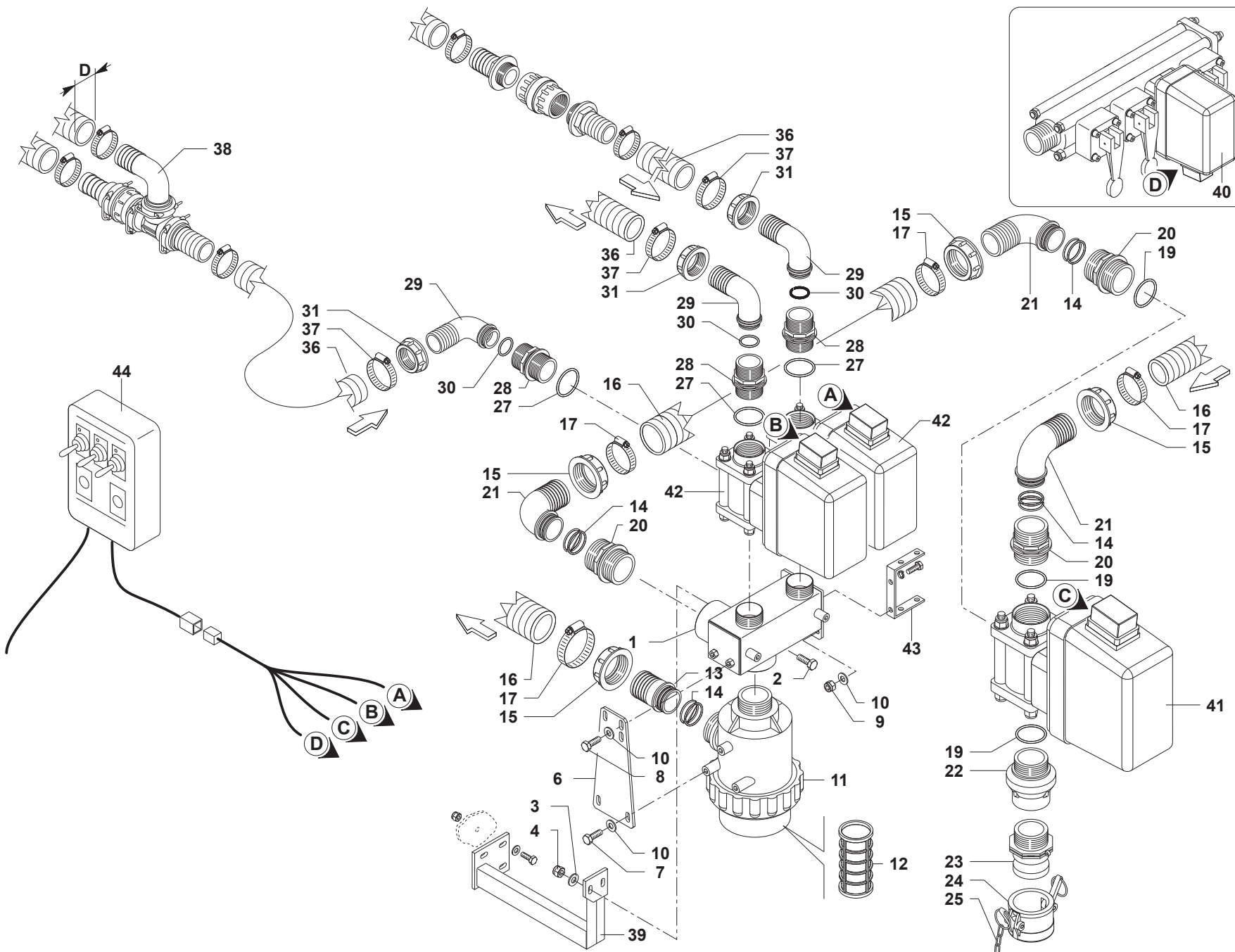


- 1 BG022790
- 2 BG022896
- 3 BG023835
- 4 GGA00504203
- 5 BG022991
- 6 GGA002402065
- 7 GGA00106640
- 8 GGA00G10061
- 9 GGA002002060
- 10 GG564080000
- 11 GG919727051X



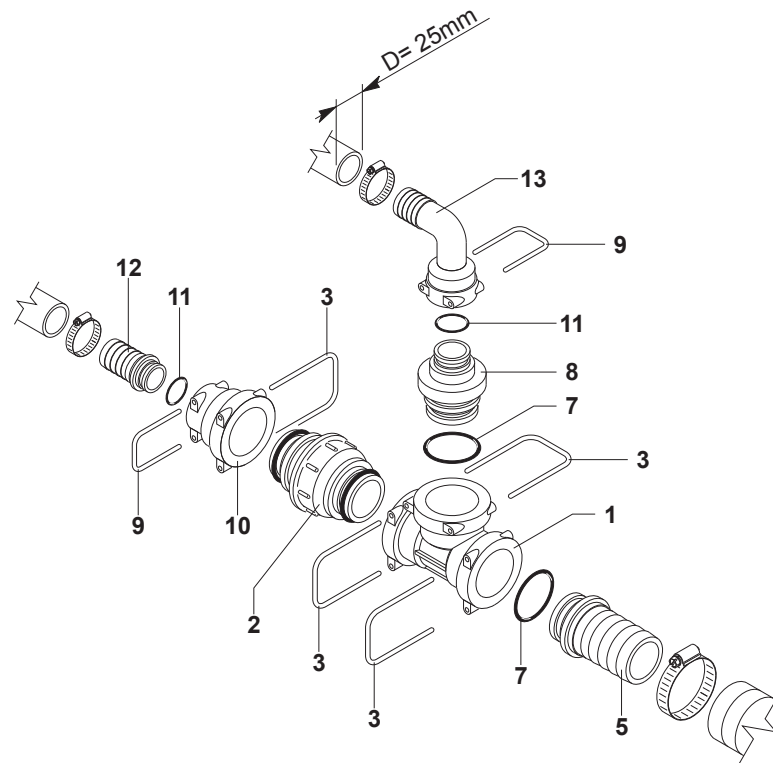
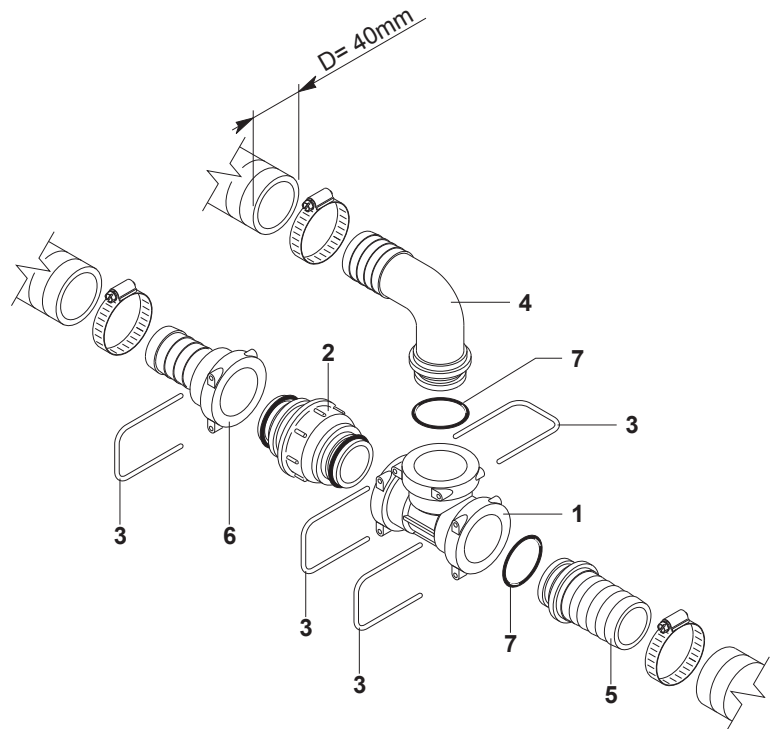
- 1 GG452000115X
- 2 GG900110030Z
- 3 GG907010021Z
- 4 GG905400010
- 5 GG65030087V
- 6 GG443000118V
- 7 GG900108016Z
- 8 GG900108020Z
- 9 GG905400008
- 11 GGA00316073
- 12 GGA316003.030
- 13 GGA00106750
- 14 GGA00G10071
- 15 GGA002002070
- 16 GG565080000
- 17 GG919738050X
- 18 GGA004542237
- 19 GGA00G10073
- 20 GGA002502070
- 21 GGA00116750
- 22 GGA00504029
- 23 GGA0018107F
- 24 GGA0018107H
- 25 GG500800002X
- 26 GGA004542236H
- 27 GGA00G10062
- 28 GGA002502060
- 29 GGA00116640
- 30 GGA00G10061
- 31 GGA002002060
- 32 GGA004542136
- 33 BG015000
- 36 GG564080000
- 37 GG919732044X
- 38 BG025749
- 39 BG025750
- 40 BG025217

D= 25  
D= 40

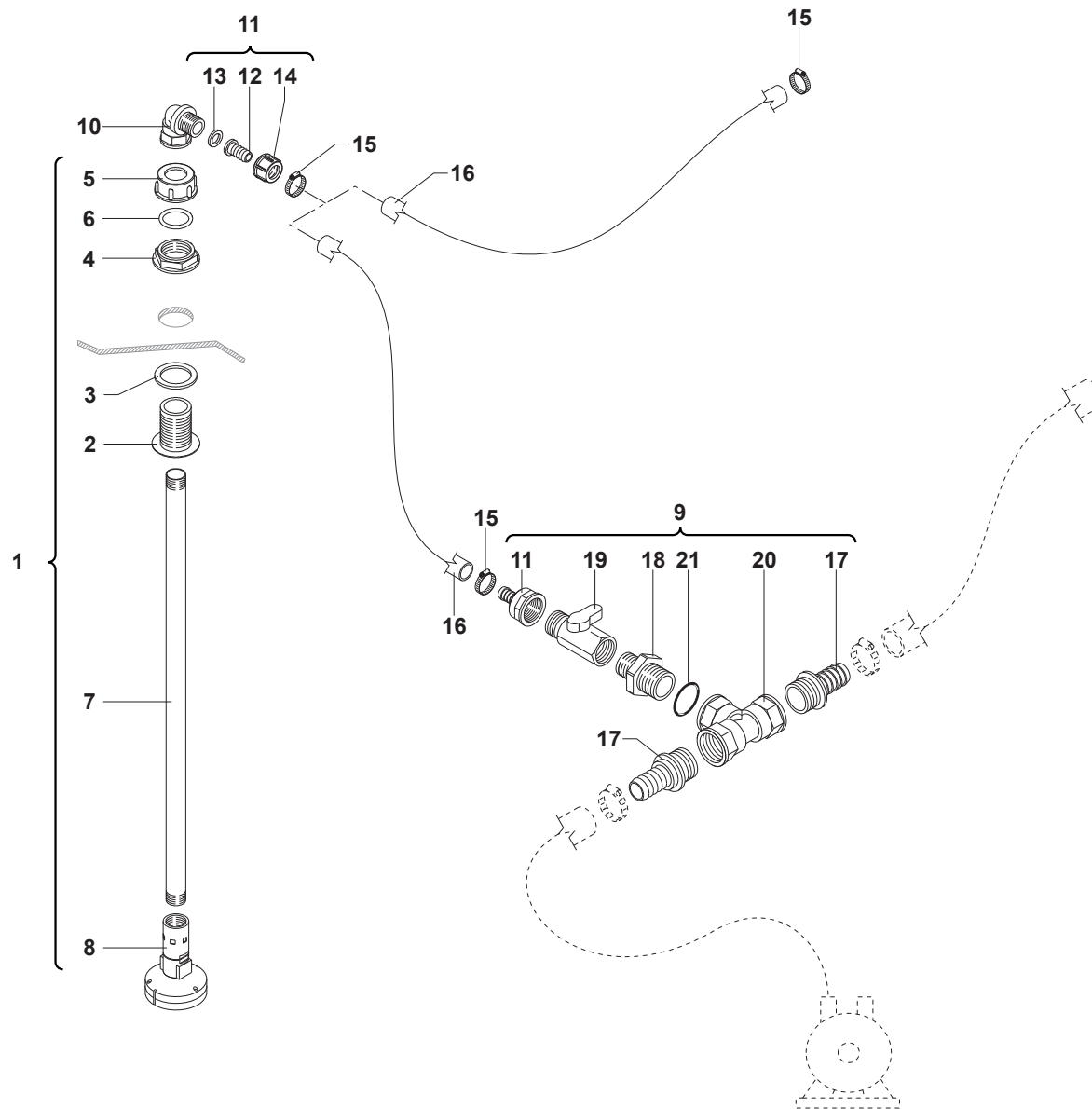


- 1 GG452000115X
- 2 GG900110030Z
- 3 GG907010021Z
- 4 GG905400010
- 6 GG443000118V
- 7 GG900108016Z
- 8 GG900108020Z
- 9 GG905400008
- 11 GGA00316073
- 12 GGA316003.030
- 13 GGA00106750
- 14 GGA00G10071
- 15 GGA002002070
- 16 GG565080000
- 17 GG919738050X
- 19 GGA00G10073
- 20 GGA002502070
- 21 GGA00116750
- 22 GGA00504029
- 23 GGA0018107F
- 24 GGA0018107H
- 25 GG500800002X
- 27 GGA00G10062
- 28 GGA002502060
- 29 GGA00116640
- 30 GGA00G10061
- 31 GGA002002060
- 33 BG015000
- 36 GG564080000
- 37 GG919732044X
- 38 BG025749
- 38 BG025750
- 39 BG025217
- 40 BG022498
- 41 BG018676
- 42 BG018677
- 43 BG010277
- 44 BG022460

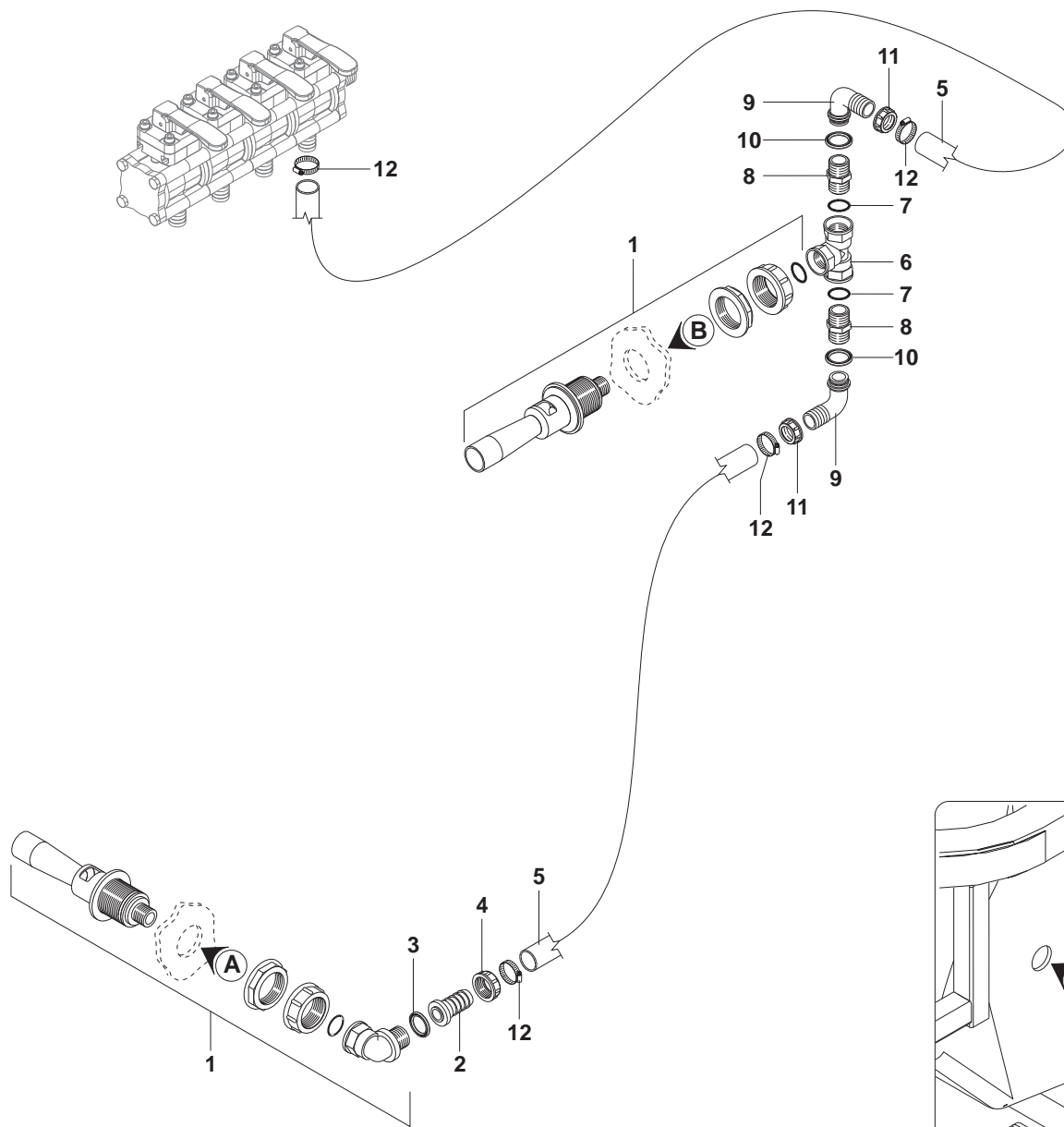
D= 25  
D= 40



- 1 BG025717
- 2 BG025720
- 3 BG025728
- 4 BG025722
- 5 BG025718
- 6 BG025723
- 7 BG025721
- 8 BG025724
- 9 BG022594
- 10 BG025727
- 11 BG025725
- 12 BG025726
- 13 BG023046

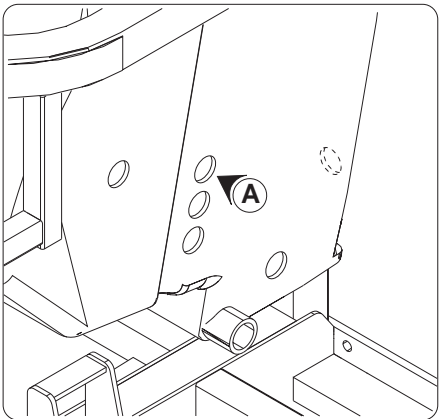
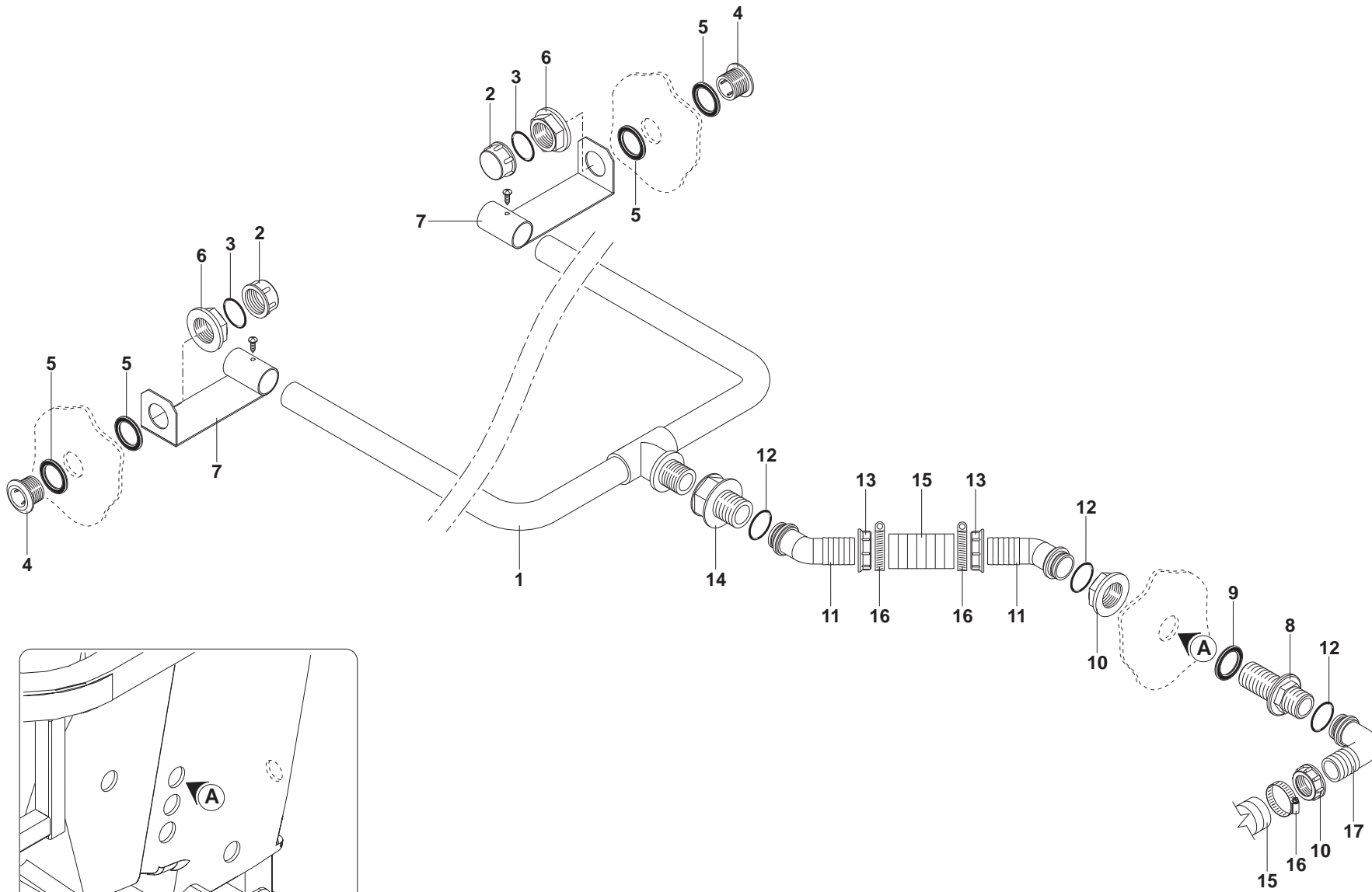


- 1 GG680000075
- 2 GGA00220040SS
- 3 GGA00G400004
- 4 GGA002052040
- 5 GGA002102040S
- 6 GG600200211
- 7 GG550000570
- 8 GGA00510120
- 9 GG993100057
- 10 GGA001262022
- 11 GG999900035
- 12 GGA00105213
- 13 GGA00G40012
- 14 GGA002002020
- 15 GG919711020X
- 16 GG561301200
- 17 GGA001033255
- 18 GGA002402032
- 19 GG570100014
- 20 GGA001302030
- 21 BG019111

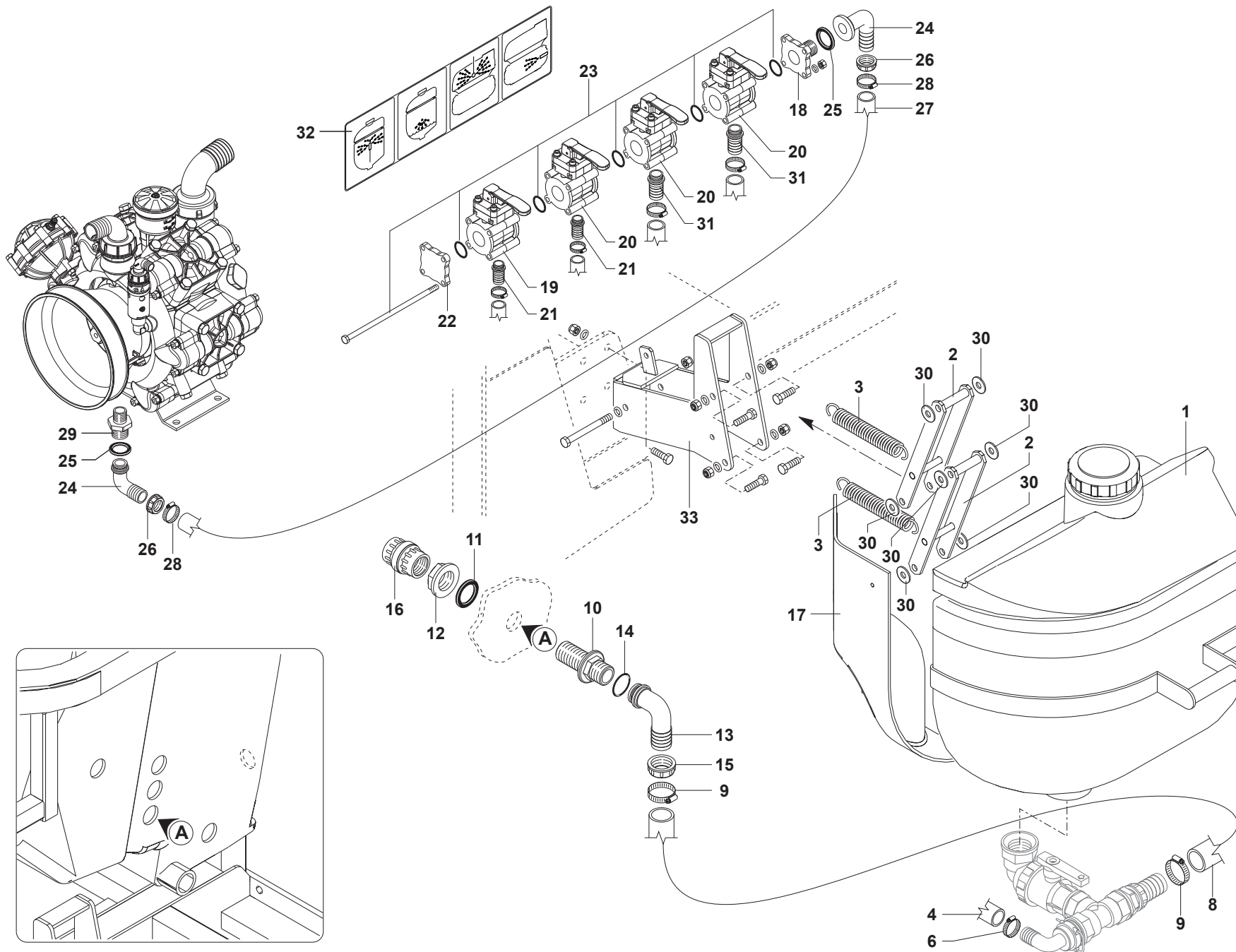


- 1 GGA005022032
- 2 GGA00105213
- 3 GGA00G40012
- 4 GGA002002020
- 5 GG561301000
- 6 GGA001302020
- 7 GGA00G10041
- 8 GGA002402032
- 9 GGA00115313
- 10 GGA00G40013
- 11 GGA002002030
- 12 GG919713020X

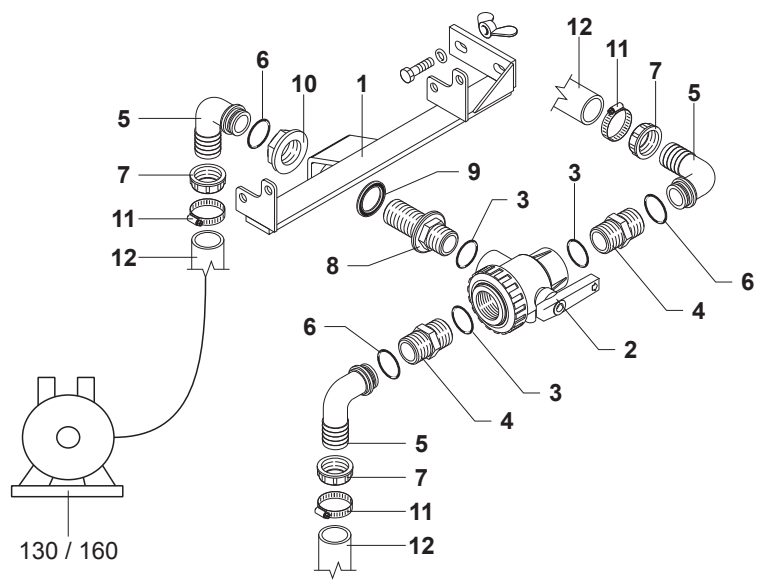




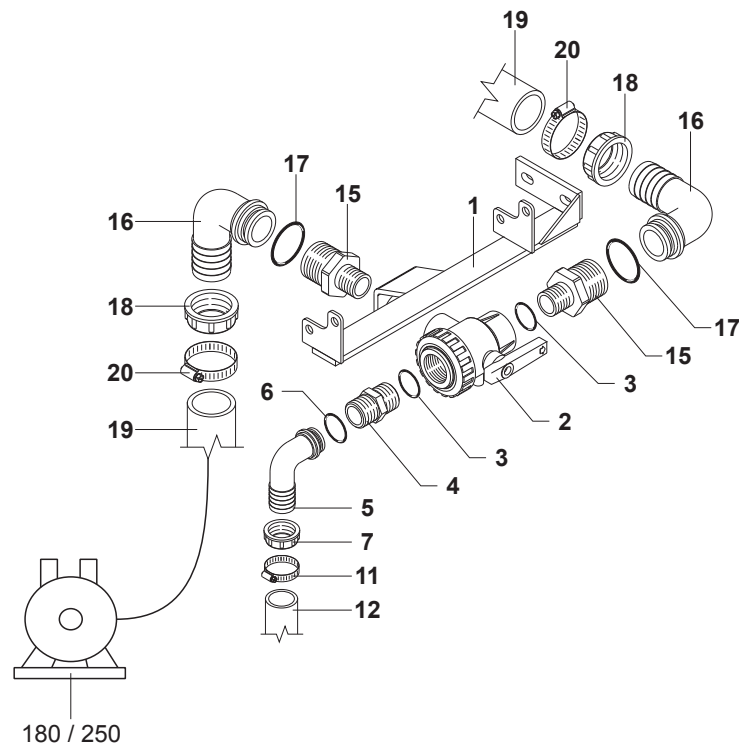
- 1 BG023527
- 2 GGA002102020
- 3 GGA00G10020
- 4 GGA00220020
- 5 GGA00G40002
- 6 GGA002052020
- 7 GG310600042
- 8 GGA002502061
- 9 GGA00G40006
- 10 GGA002052060
- 11 GGA00117640
- 12 GGA00G10061
- 13 GGA002002060
- 14 BG001563
- 15 GG564080000
- 16 GG919727051X
- 17 GGA00116640



1	BG022793	
2	BG022799	
3	BG020395	
4	GG502501000	
6	GG919725035X	
8	GG564080000	
9	GG919727051X	
10	GGA002502061	
11	GGA00G40006	
12	GGA002052060	
13	GGA00116640	
14	GGA00G10061	
15	GGA002002060	
16	GGA00504015	
17	BG022992	
18	BG023763	
19	BG023764	
20	GGA00463051	
21	BG019226	Ø10
22	GGA463011.120	
23	BG023776	
24	GGA00115313	
25	GGA00G40013	
26	GGA002002030	
27	GG561301000	
28	GG919713020	
29	GGA002402032	
30	GG500400024	
31	BG010589	Ø13
32	BG024185	
33	BG024452	SPECIAL
	BG023754	MEC



130 / 160

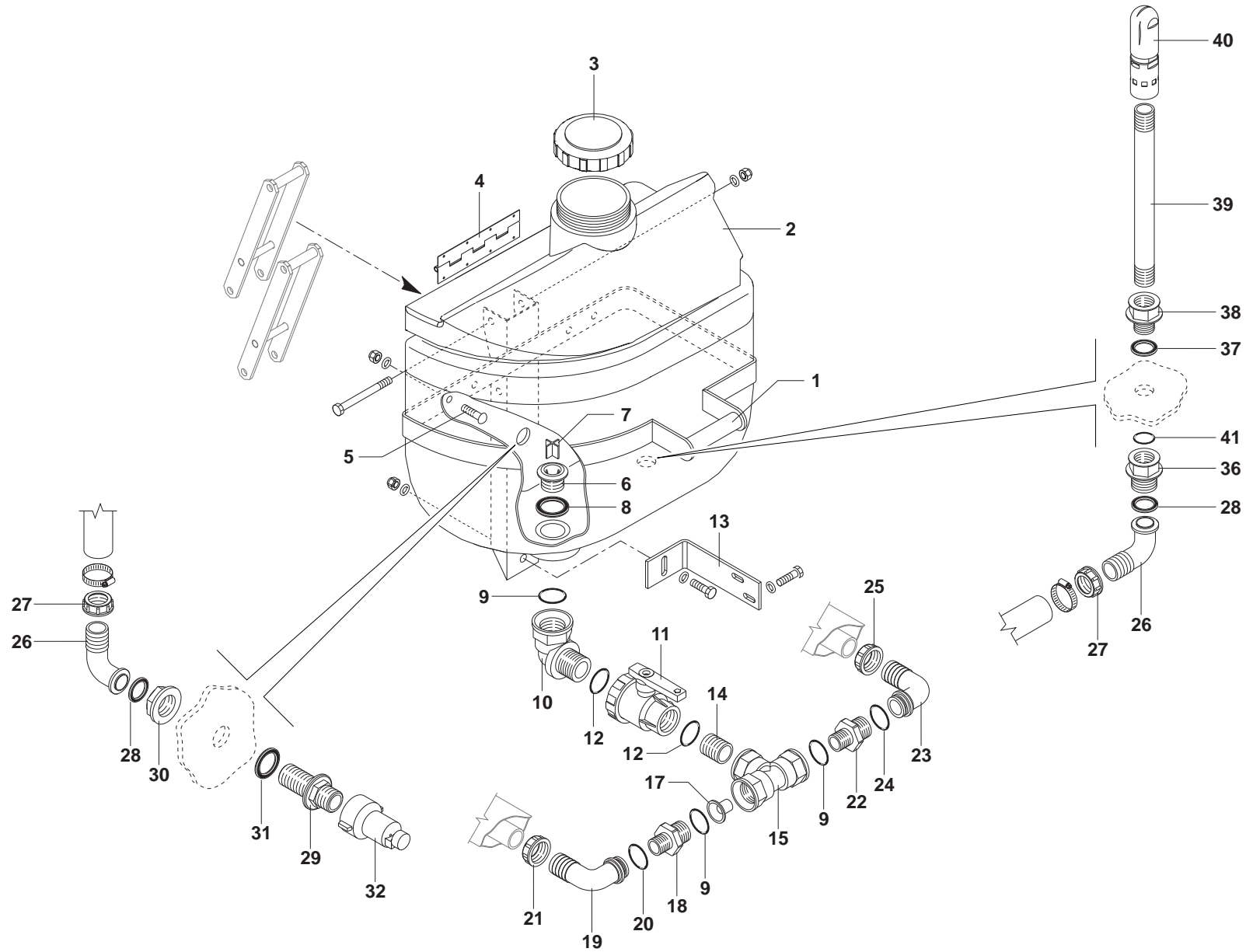


180 / 250

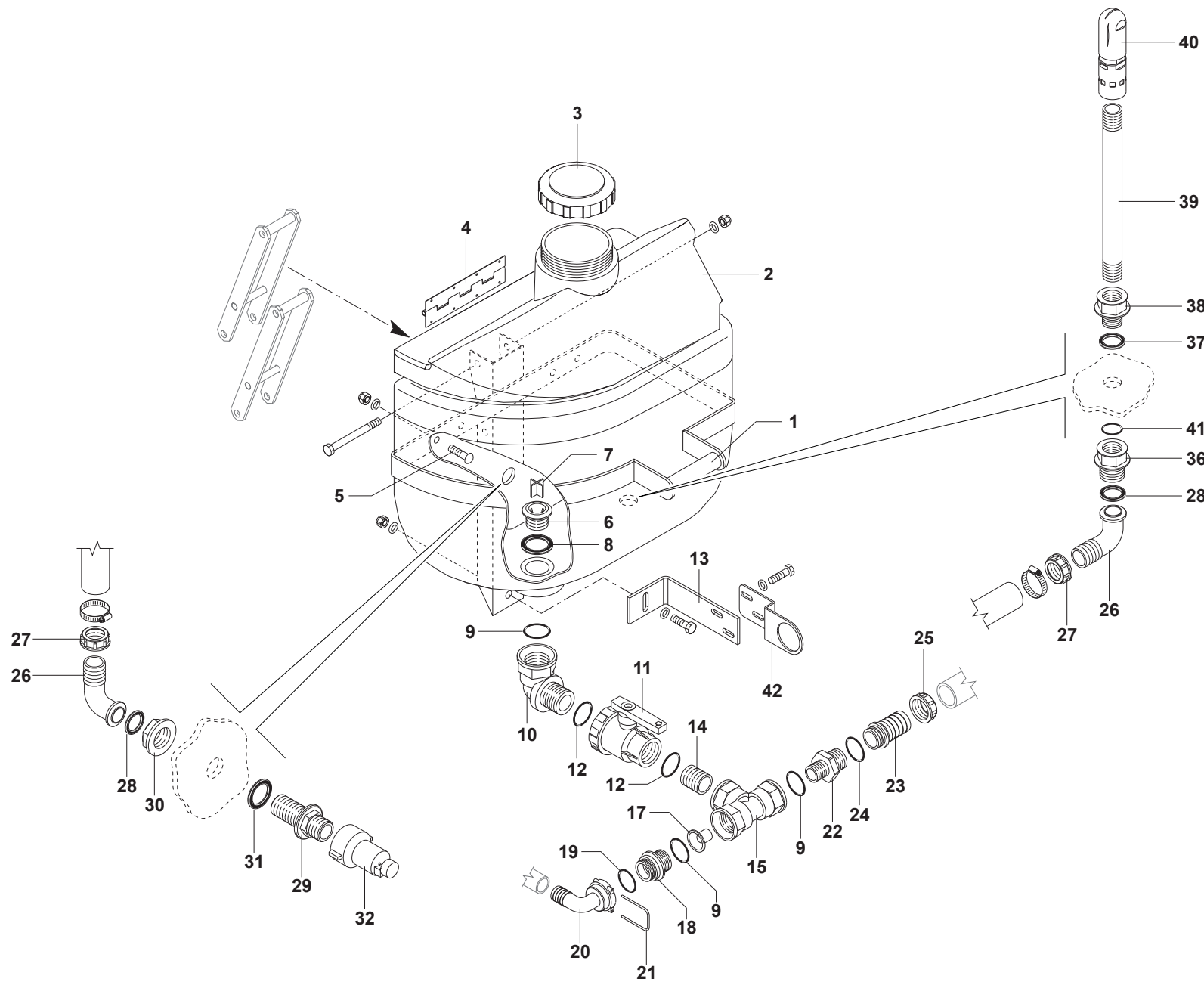
- 1 BG023895
- 2 GGA004542234H
- 3 BG021039
- 4 GGA002502040
- 5 GGA00116425
- 6 GGA00G10041
- 7 GGA002002040
- 8 GGA002502041
- 9 GGA00G40004
- 10 GGA002052040
- 11 GG919725035X
- 12 GG562501000
- 15 BG002197
- 16 GGA00116635
- 17 GGA00G10061
- 18 GGA002002060
- 19 BG012132
- 20 GG919732044X

D 25

D 35



- 1 BG022791
- 2 BG022894
- 3 BG013981
- 4 GG680001023
- 5 GG904706020X
- 6 GGA00220050S
- 7 GG680001026
- 8 GGA00G40005
- 9 GG600206162
- 10 GGA001262055
- 11 GGA004542135
- 12 GG600206162
- 13 BG023816
- 14 GGA00230551
- 15 GGA001302050
- 17 GG680001042
- 18 GGA002402054
- 19 GGA00116425
- 20 GGA00G10041
- 21 GGA002002040
- 22 GGA002402065
- 23 GGA00116640
- 24 GGA00G10061
- 25 GGA002002060
- 26 GGA00116210
- 27 GGA002002020
- 28 BG019117
- 29 GGA002502021S
- 30 GGA002052020
- 31 GGA00G40002
- 32 BG023130
- 36 BG020958
- 37 GGA00G40015
- 38 GGA002452032
- 39 BG023880
- 40 GGA00510110
- 41 BG019111



- 1 BG022791
- 2 BG022894
- 3 BG013981
- 4 GG680001023
- 5 GG904706020X
- 6 GGA00220050S
- 7 GG680001026
- 8 GGA00G40005
- 9 GG600206162
- 10 GGA001262055
- 11 GGA004542135
- 12 GG600206162
- 13 BG023816
- 14 GGA00230551
- 15 GGA001302050
- 17 GG680001042
- 18 BG026849
- 19 BG025725
- 20 BG023046
- 21 BG022594
- 22 GGA002402065
- 23 GGA00116640
- 24 GGA00G10061
- 25 GGA002002060
- 26 GGA00116210
- 27 GGA002002020
- 28 BG019117
- 29 GGA002502021S
- 30 GGA002052020
- 31 GGA00G40002
- 32 BG023130
- 36 BG020958
- 37 GGA00G40015
- 38 GGA002452032
- 39 BG023880
- 40 GGA00510110
- 41 BG019111
- 42 BG026851