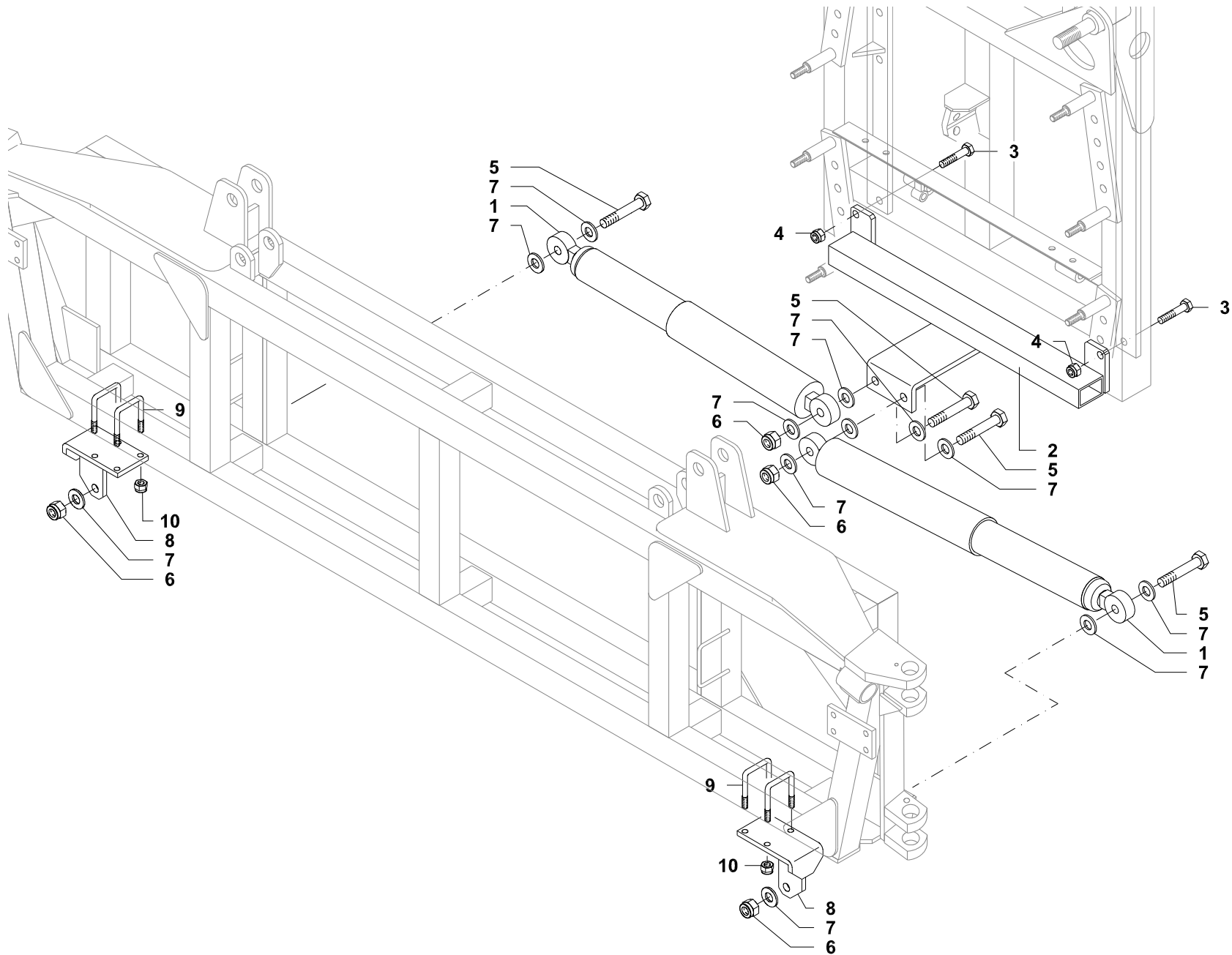
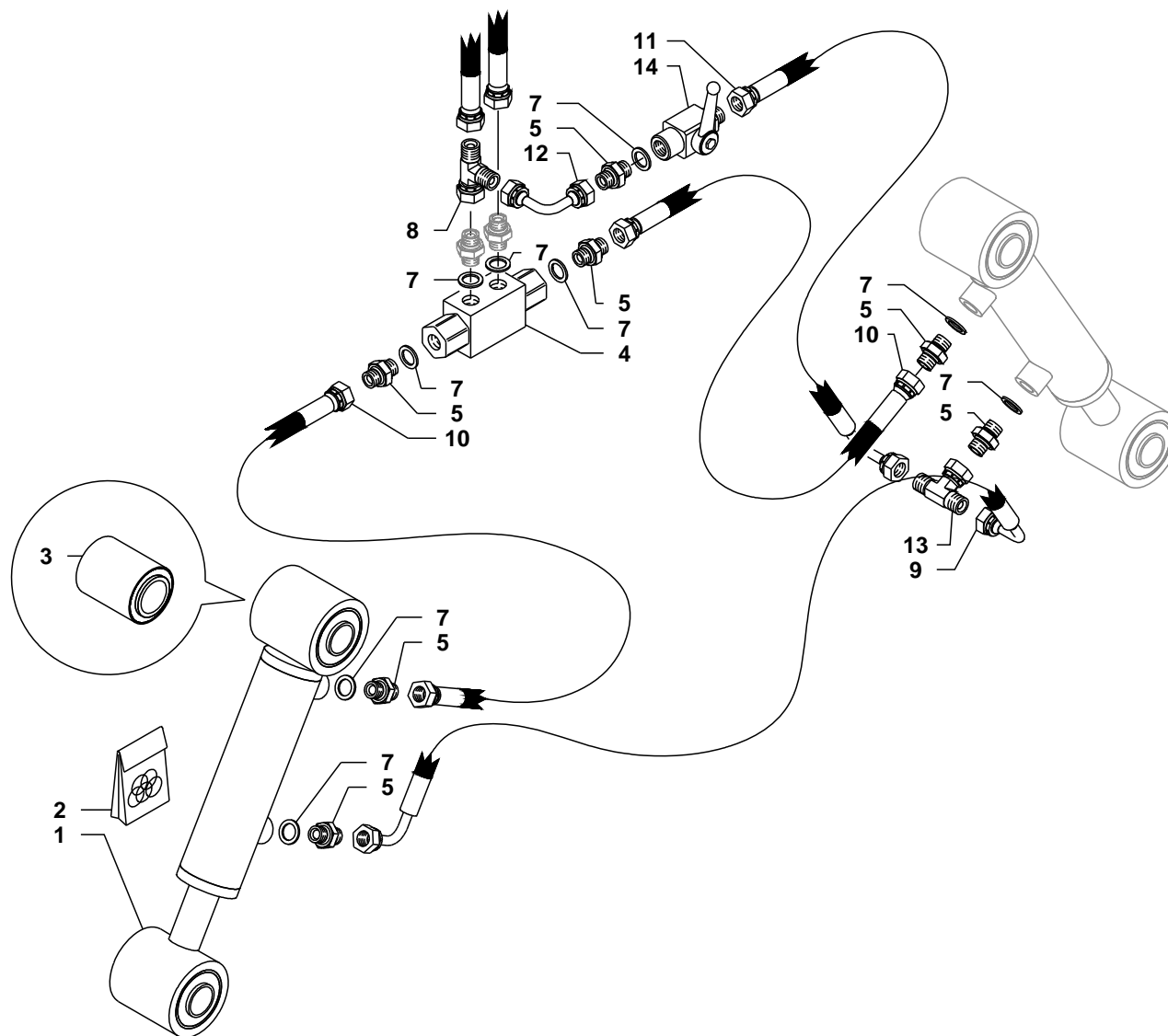


1	GG382000700V
2	GG993802001V
3	GG993802002Z
4	GG950300002
5	GG500400019Z
6	GG905400024
7	GG993806003V
8	GG911225915
9	GG905400012
10	GG900324110Z
11	GG950200020
12	GG950170050
13	GG702540001V
14	GG996000196
15	GG570500006Z
16	GG600500001
17	GG500700073
18	GG919700120
19	GG905300012
20	GG900314060Z
21	GG907014028Z
22	GG905300014
23	GG919800060Z
24	GG900106010Z
25	GG363800020V
26	GG900316120Z
27	GG905400016
28	GG919800003Z
29	GG702540010V
30	GG996000178
31	GG570500011Z
32	GG600500001
33	GG905200022Z
34	GG501100007
35	GG900110035Z
36	GG907010021Z
37	GG905300010
38	BG002074
39	BG002073
40	BG002087

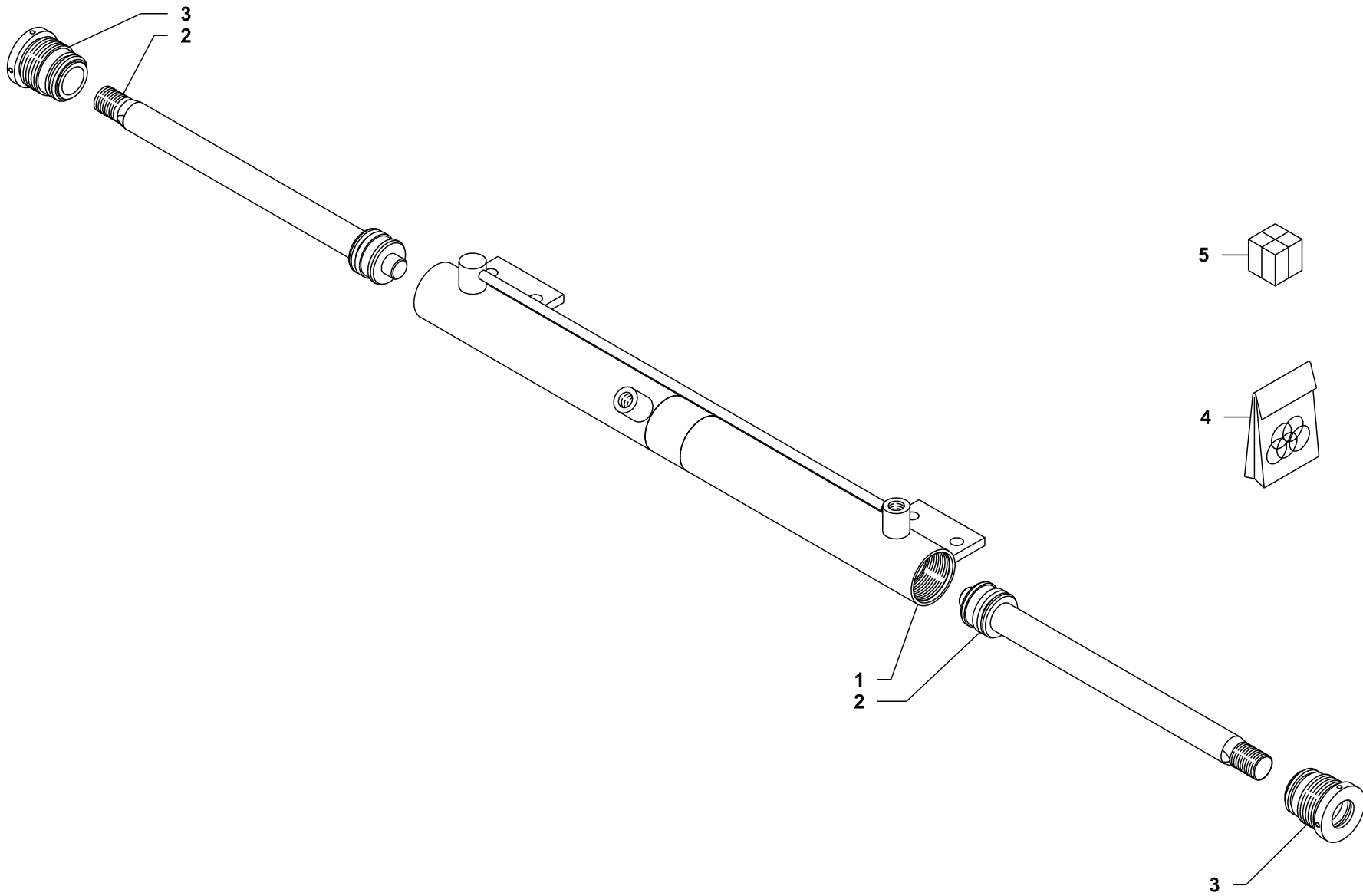
NEW EL



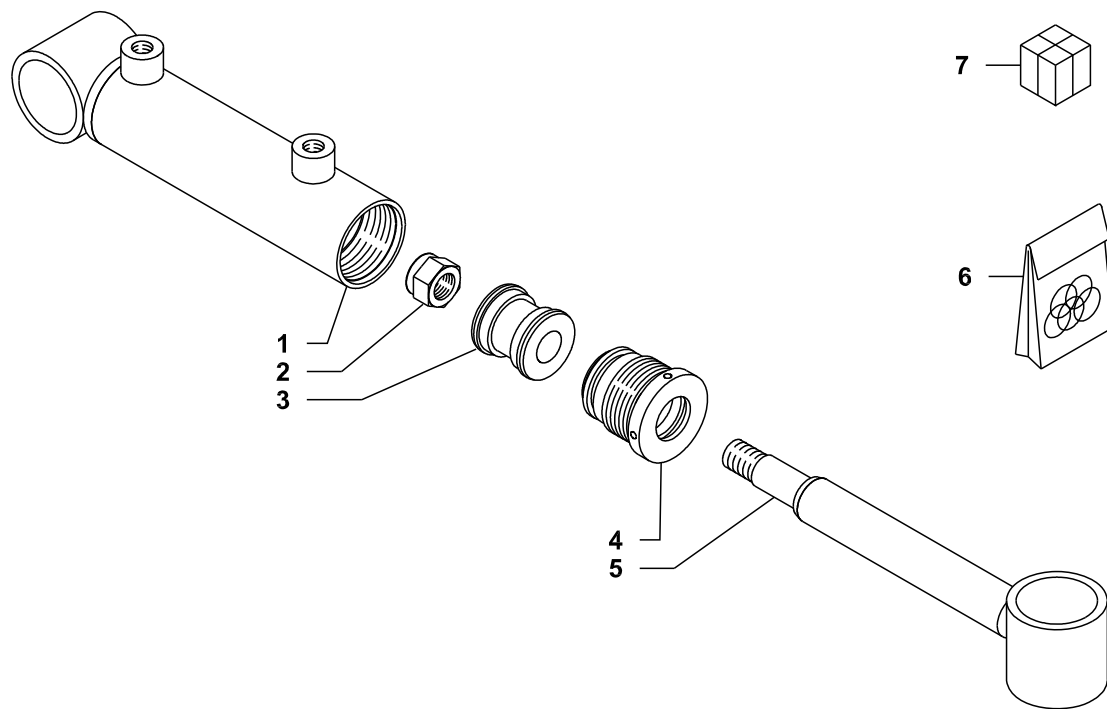
1	GG820200110
2	GG201800028V
3	GG900312040Z
4	GG905400012
5	GG900316050Z
6	GG905300016
7	GG907017030Z
8	BG004816
9	GG500500005Z
10	GG905300010



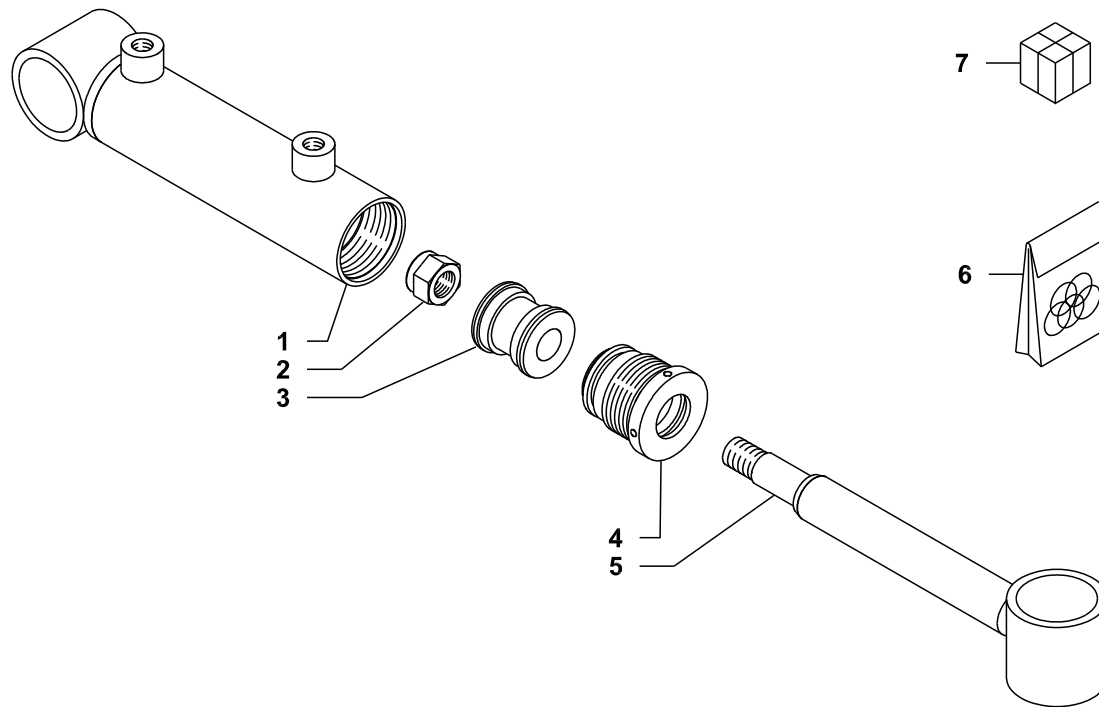
- 1 GG702540001V
- 2 GG996000196
- 3 GG950300002
- 4 GG750300001
- 5 BB50223002
- 7 BB50243113
- 8 BB50239151
- 9 GG767111000
- 10 BG012193
- 11 BG012194
- 12 GG740000034Z
- 13 GG740000062Z
- 14 GG750300062



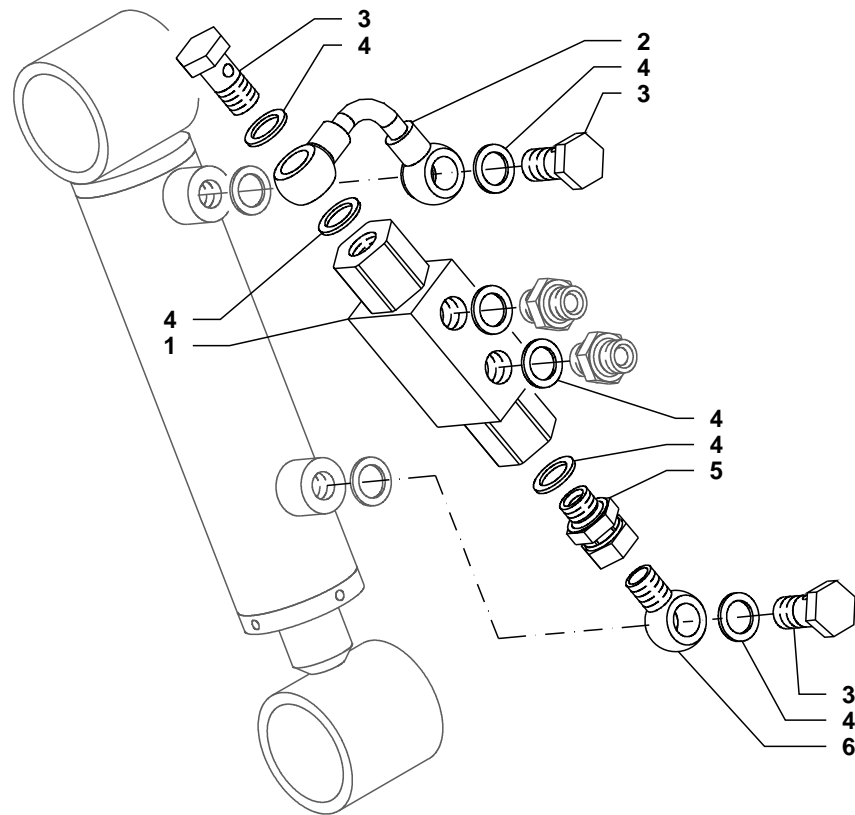
- | | |
|---|--------------|
| 1 | GG700040012 |
| 2 | GG702500034 |
| 3 | GG702540405 |
| 4 | GG996000178 |
| 5 | GG702540010V |



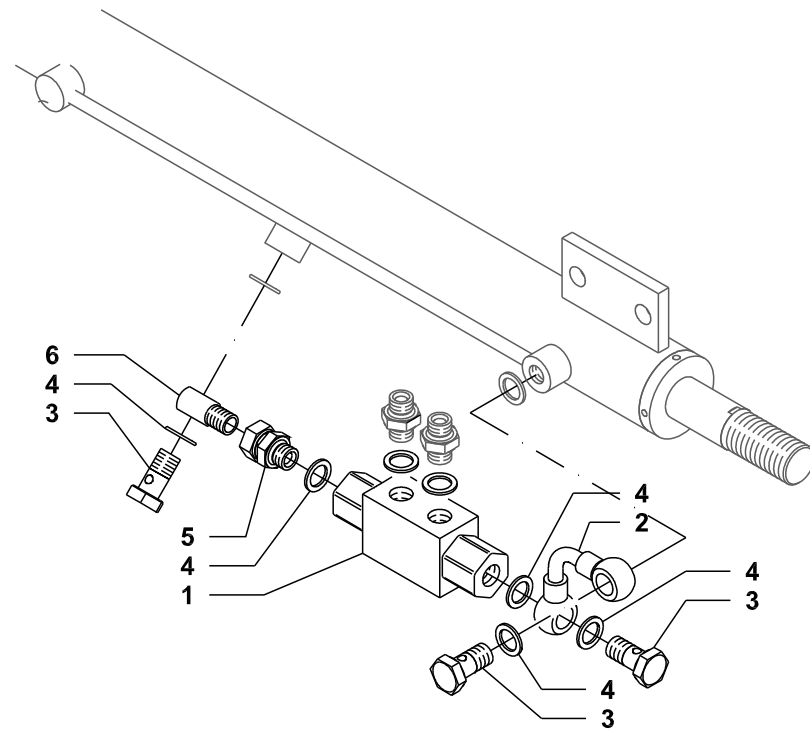
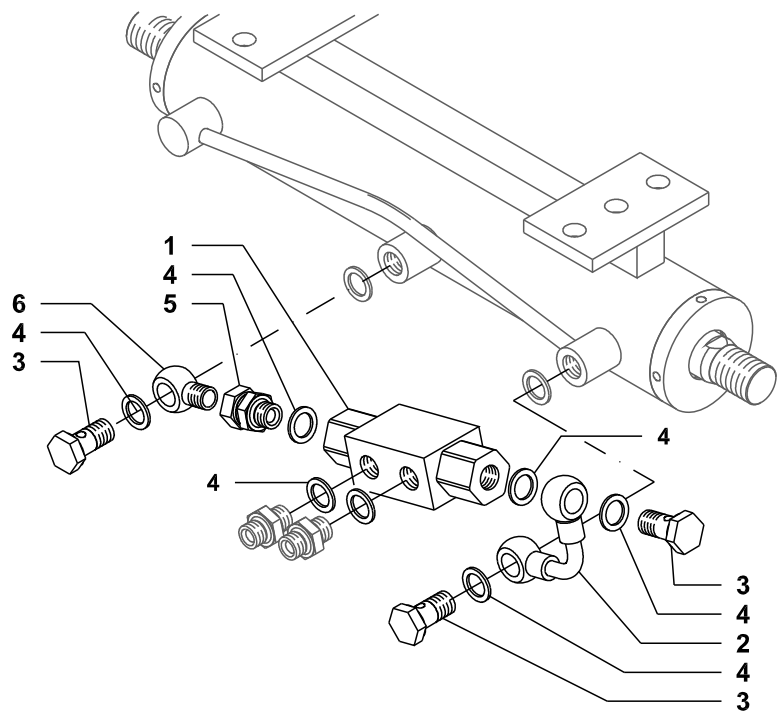
- 1 GG700040010
- 2 GG905415016
- 3 GG702540604
- 4 GG702540405
- 5 GG702500024
- 6 GG996000196
- 7 GG702540001V



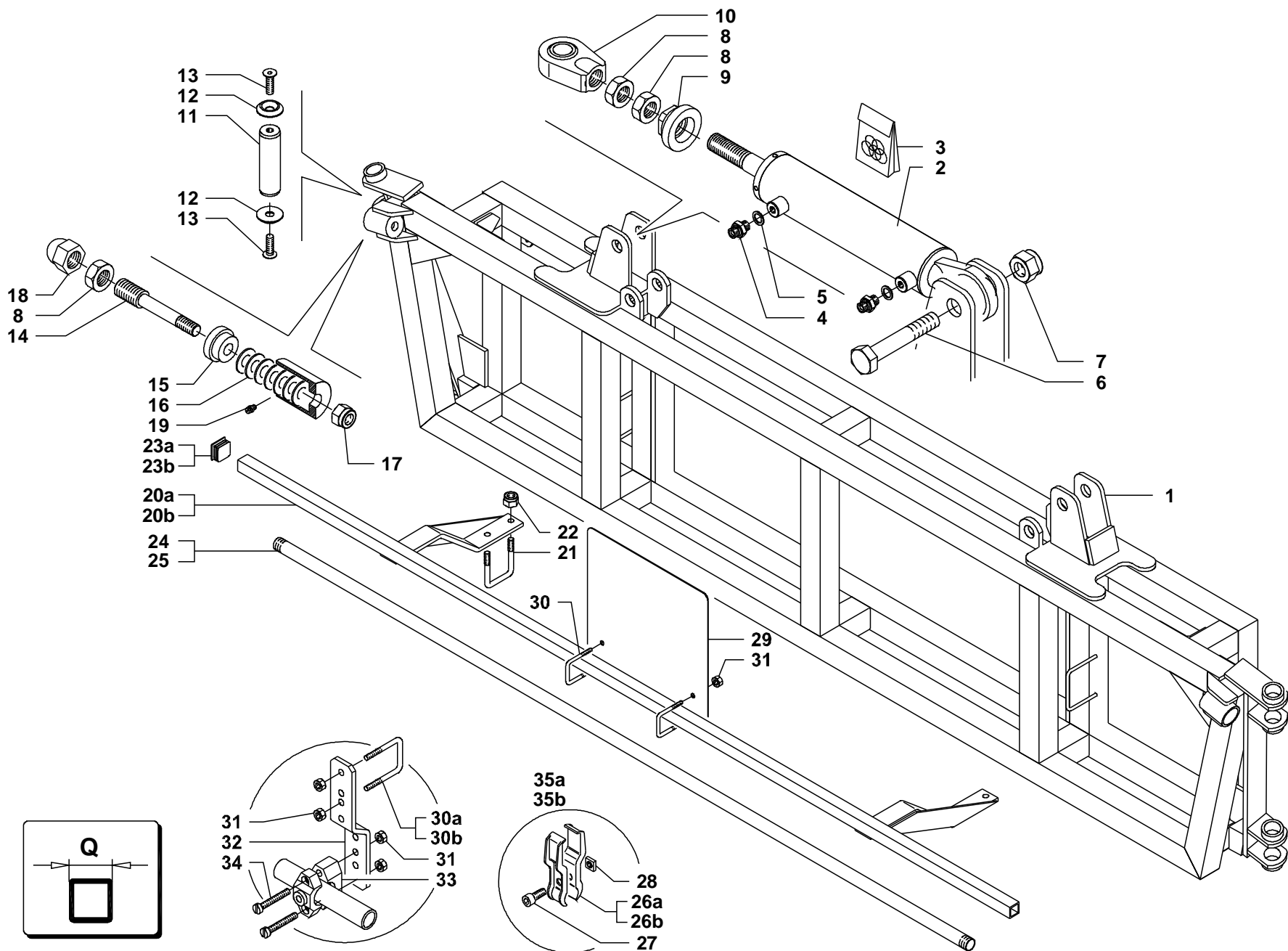
- 1 BG010217
- 2 GG905415016
- 3 GG702550606
- 4 GG702550407
- 5 BG010216
- 6 GG996000192
- 7 BG010215



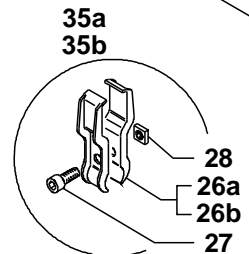
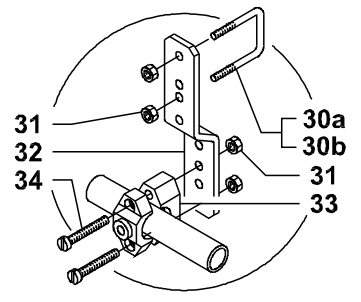
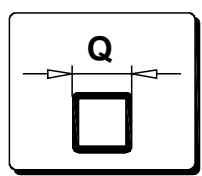
- | | |
|---|--------------|
| 1 | GG750300001 |
| 2 | GG750300023Z |
| 3 | GG570100031Z |
| 4 | GG600500001 |
| 5 | GG740000023Z |
| 6 | GG570100030Z |



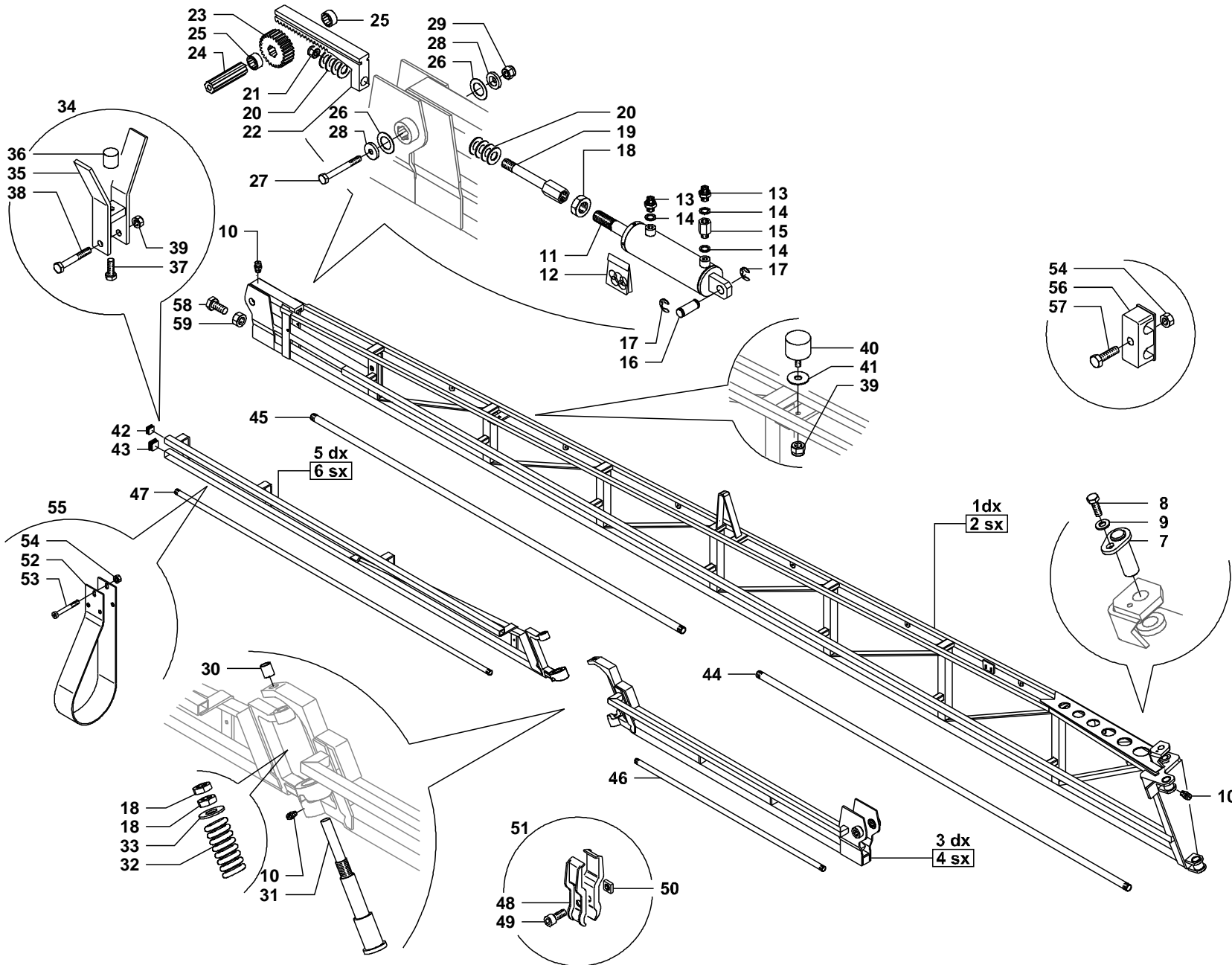
- 1 GG750300001
- 2 GG750300023Z
- 3 GG570100031Z
- 4 GG600500001
- 5 GG740000023Z
- 6 GG570100030Z



1	BG020409
2	BG024889
3	BG024892
4	GG570500008Z
5	BB50243113
6	GG900324090Z
7	GG905400024
8	GG905200024Z
9	GG500300025V
10	GG920100034Z
11	GG500100005
12	GG500400004Z
13	GG900710025Z
14	GG500100068Z
15	GG500400016Z
16	GG911634920
17	GG905400016
18	GG905500054
19	GG919800020
20a	GG201800415V
20b	GG201800417V
21	GG500500002Z
22	GG905300010
23a	GG950130030
23b	GG950125025
24	GG550401500
25	GG550501500
26a	GG500600002Z
26b	GG500600001Z
27	GG900508022Z
28	GG906000008Z
29	GG201800065V
30a	GG500500004V
30b	GG500500022Z
31	GG905300006
32	GG201800418V
33	GGA00425130
34	GG904506040X
35a	GG999900004Z
35b	GG999900002Z

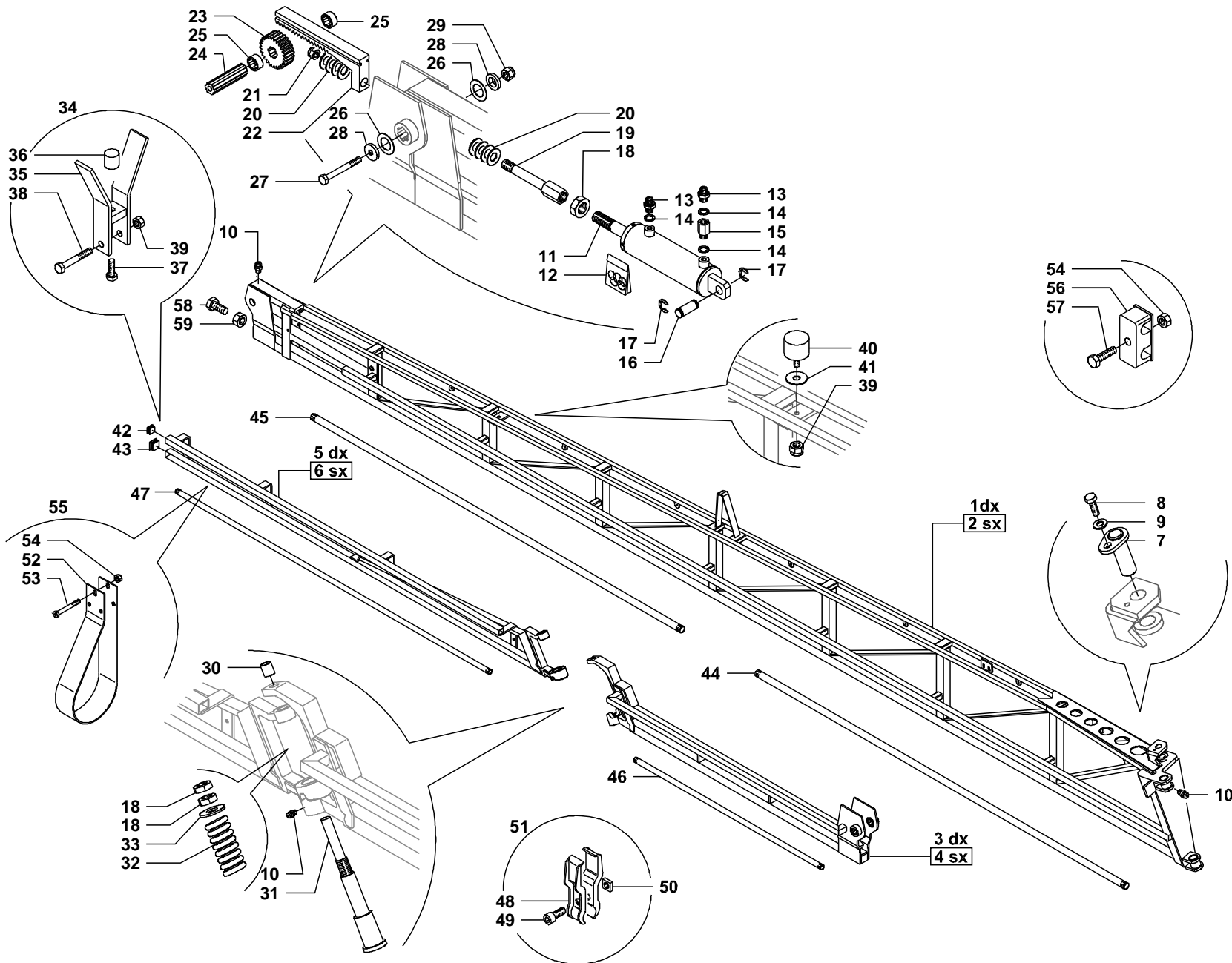


BDL 12 - 21,5 m - BDLA 12 - 21,5 m



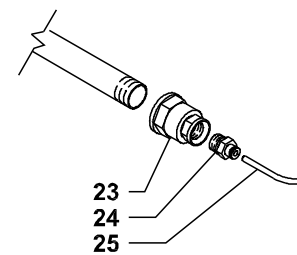
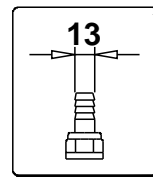
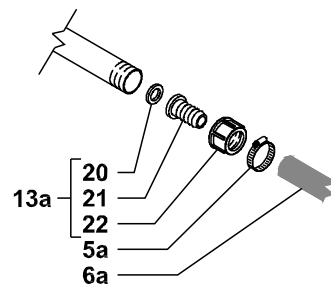
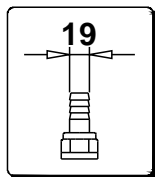
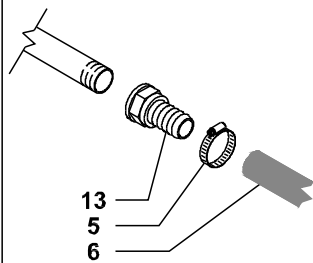
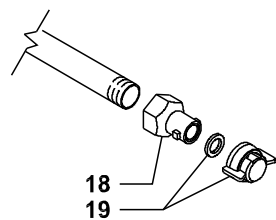
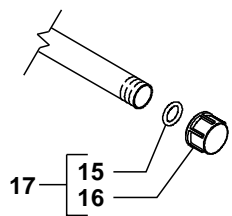
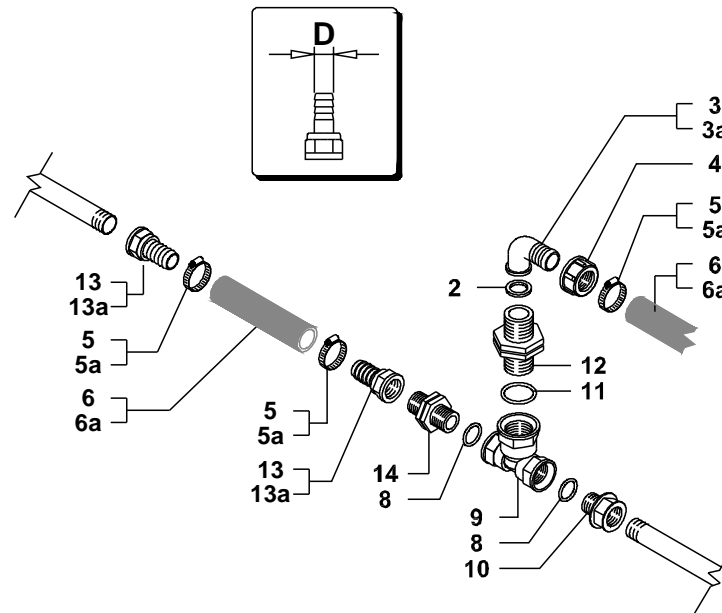
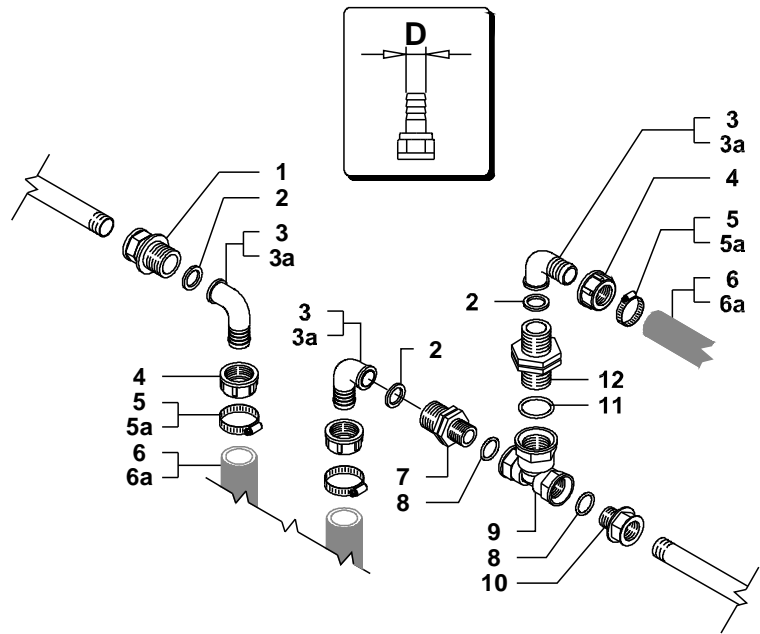
1	BG020658	
2	BG020659	
3	GG201800225V	
4	GG201800226V	
5	GG201600290V	
6	GG201600291V	
7	GG500100055V	
8	GG900110025Z	
9	GG907200010Z	
10	GG919800020	
11	GG702560013V	
12	GG996000180	
13	GG570500007Z	
14	BB5043113	
15	GG740000016Z	
16	GG500100014Z	
17	GG919800030	
18	GG905200024Z	
19	GG500500019Z	
20	GG912040925	
21	GG905400020	
22	GG510200012Z	
23	GG510100018Z	
24	GG510100020	
25	GG500200011	
26	GG500400011	
27	GG900312140Z	
28	GG500400006Z	
29	GG905400012	
30	GG500200049	
31	GG500100111Z	
32	GG919900023Z	
33	GG500400019Z	
34	GG999900012Z	
35	GG241500033V	
36	GG950200002	
37	GG900508012Z	
38	GG900308050Z	
39	GG905400008	
40	GG950200001	
41	GG907110040Z	
42	GG950125025	
43	GG950130030	
44	GG550601500	6 fori/holes
45	GG550501500	5 fori/holes
46	GG550301500	
47	GG550501500	5 fori/holes
47	GG550401500	4 fori/holes
48	GG500600001Z	
49	GG900508012Z	

BDLA 20 - 21 m

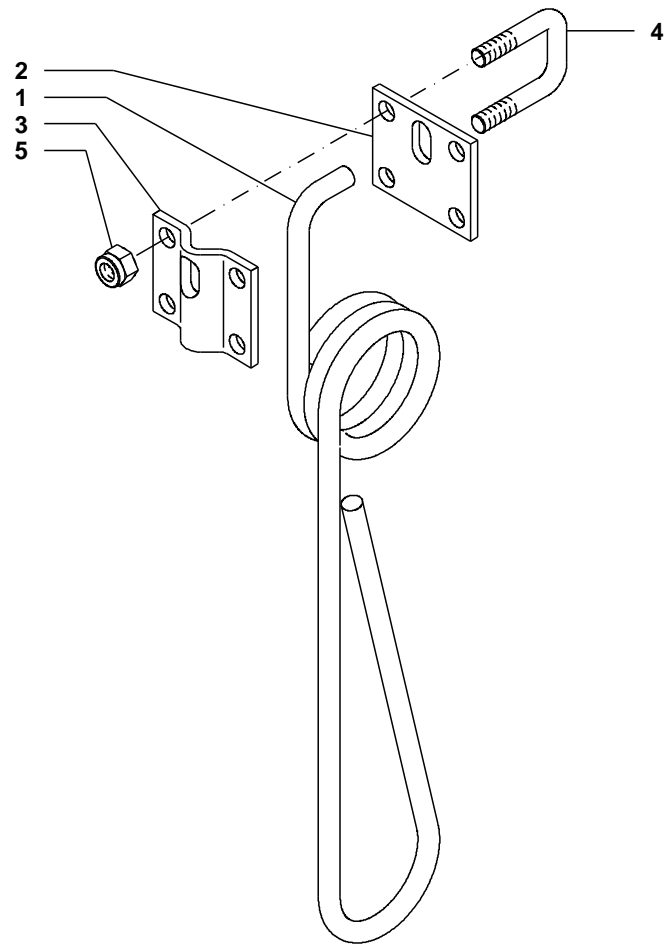


50	GG906000008Z
51	GG999900002Z
52	GG121200008Z
53	GG904906045Z
54	GG905300006
55	GG999900003Z
56	GG950200058
57	GG900306035Z
58	GG900124050Z
59	GG905200024Z

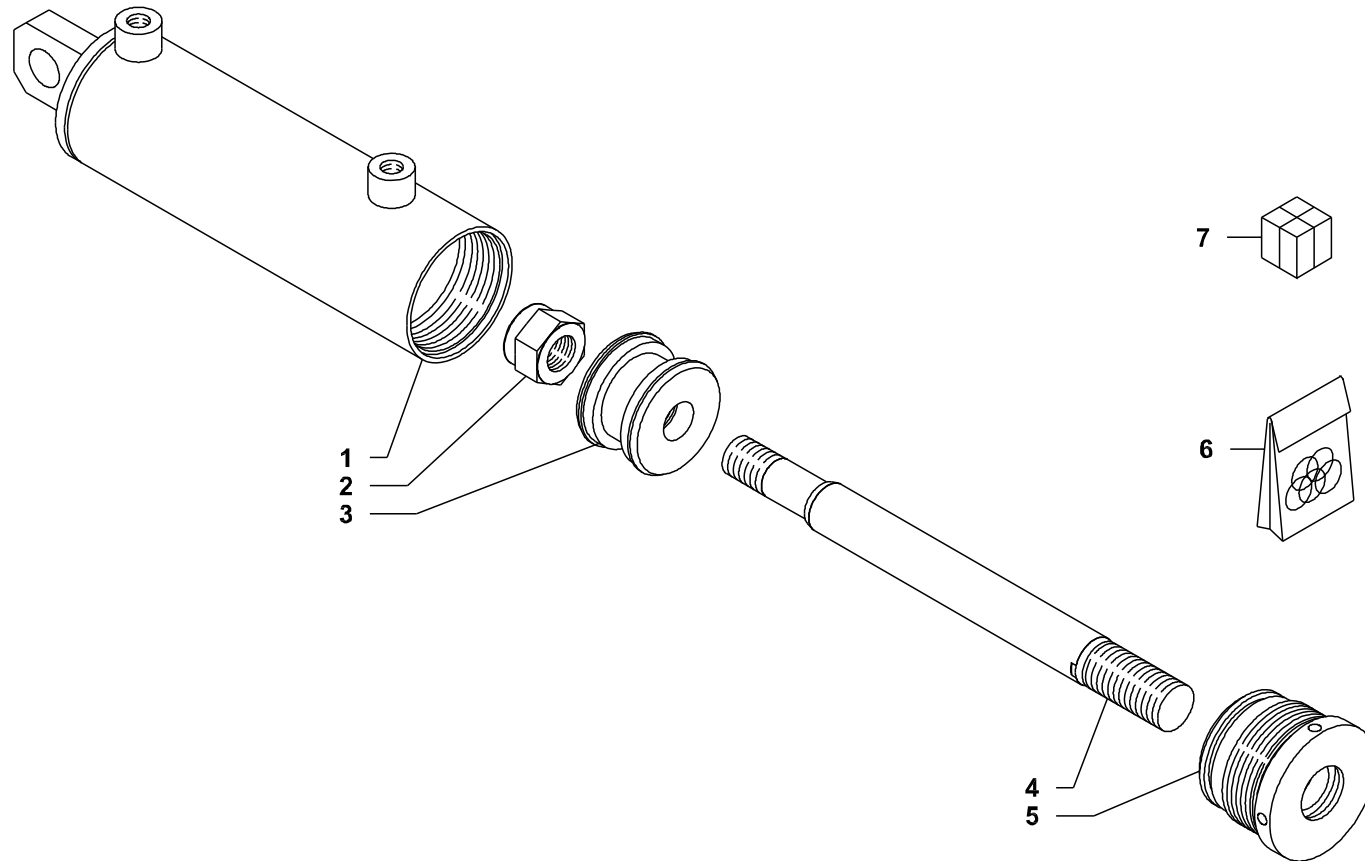
BDLA 20 - 21 m



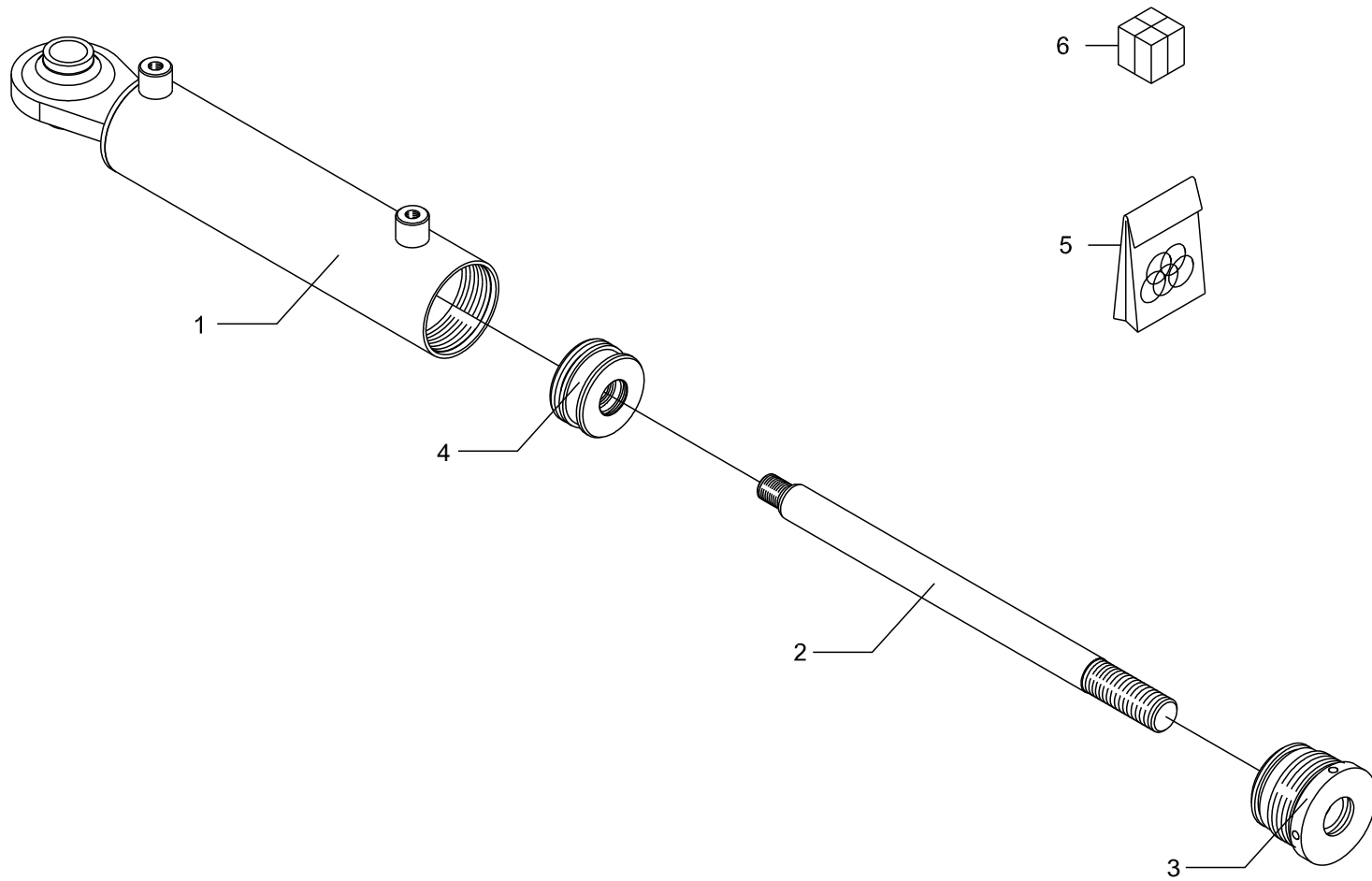
1	GGA002452032S	
2	GGA00G40013	
3	GGA00115320	D=19
3a	GGA00115313	D=13
4	GGA002002030	
5	GG919714027X	D=19
5a	GG919711020X	D=13
6	GG561900000	D=19
6a	GG561300000	D=13
7	GGA002402032	
8	GGA00G10041	
9	GGA001302032	
10	GGA002452022	
11	GGA4062000.060	
12	GGA002502030	
13	GGA00100219	D=19
13a	GG999900035	D=13
14	GGA002502020	
15	GGA00G10020	
16	GGA002102020	
17	GG999900008	
18	GGA00400277	
19	GGA00402909	
20	GGA00G40012	
21	GGA00105213	
22	GGA002002020	
23	GGA002352020	
24	GG820110007	
25	GG560284000	



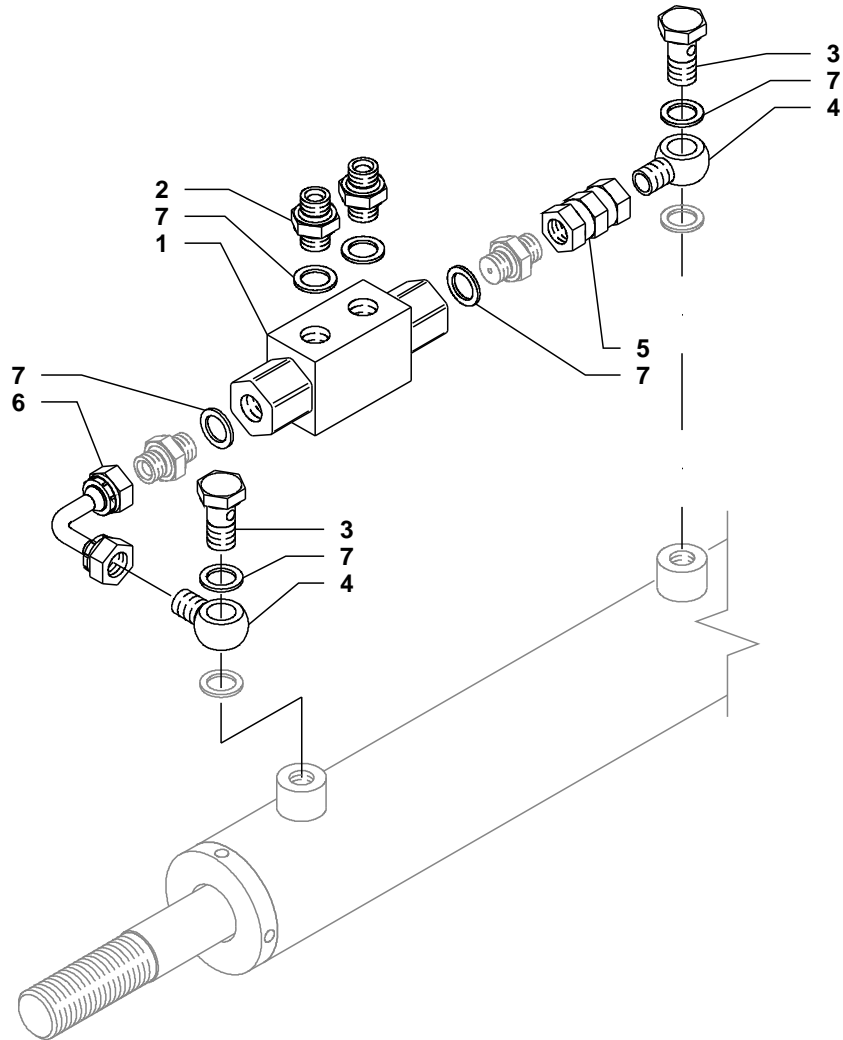
- 1 GG919900030V
- 2 GG501100008V
- 3 GG501100009V
- 4 GG500500003Z
- 5 GG905400010



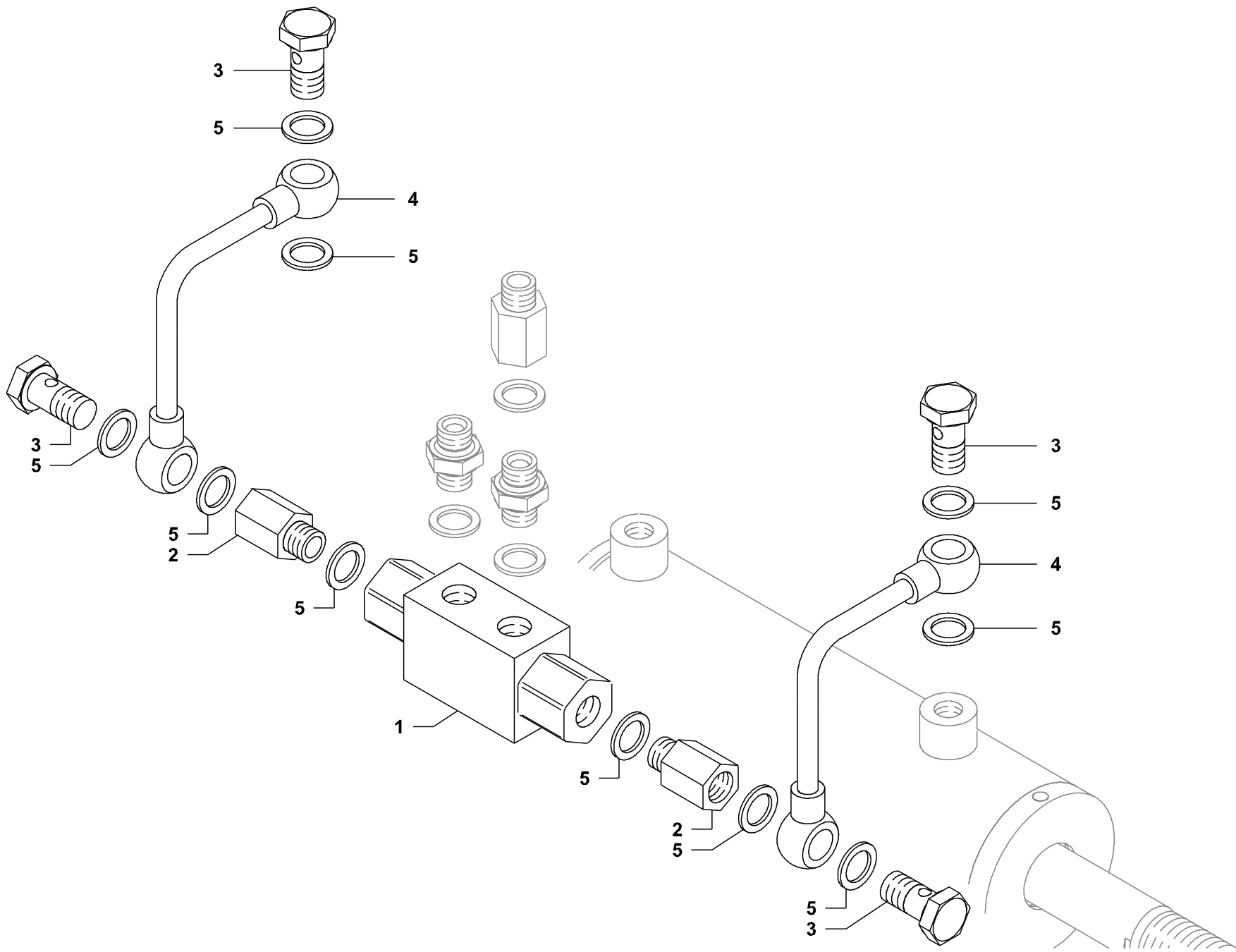
- 1 GG700060020
- 2 GG905315020
- 3 GG702560608
- 4 GG702500025
- 5 GG702560409
- 6 GG996000180
- 7 GG702560013V



- 1 BG024891
- 2 GG702500038
- 3 GG702560409
- 4 BG024890
- 5 BG024892
- 6 BG024889



- 1 GG750300001
- 2 GG740000013Z
- 3 GG570100031Z
- 4 GG570100030Z
- 5 GG740000020Z
- 6 GG740000034Z
- 7 GG600500001



1	GG750300009
2	GG740000016Z
3	GG570100031Z
4	BG030893
5	BB50243113