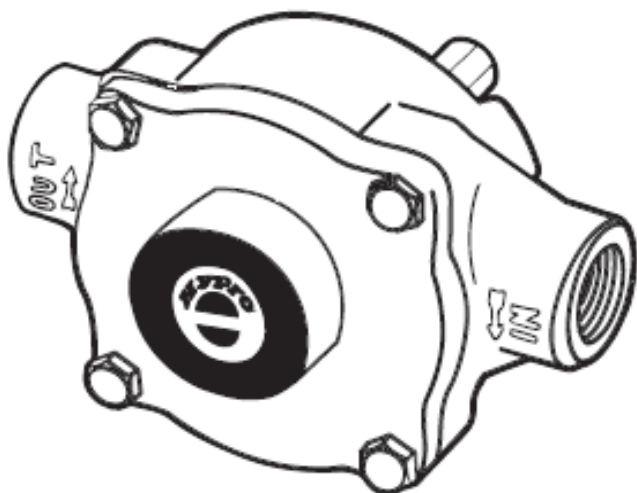


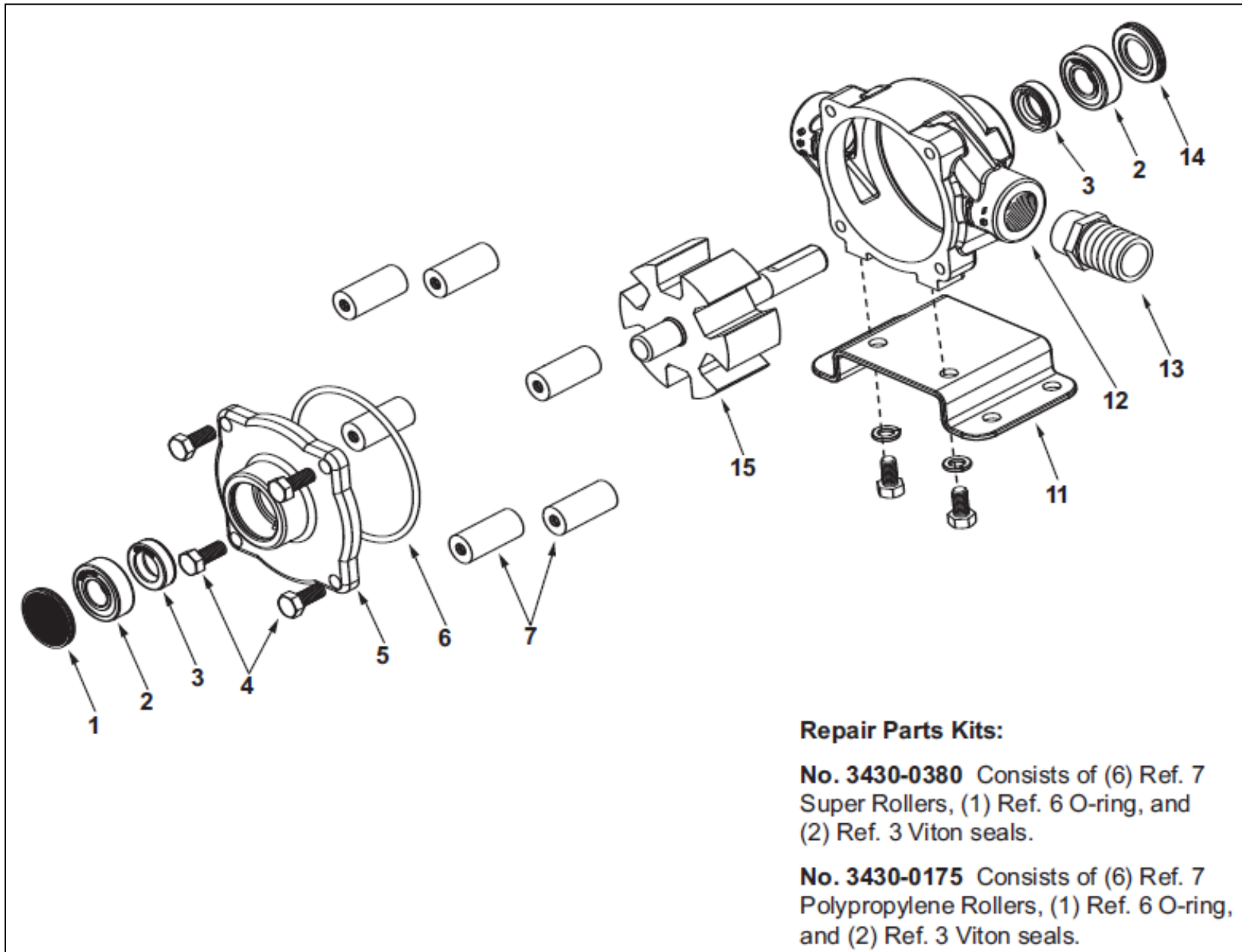
CROPLANDS PART NUMBERS: H6500C – HYPRO 6 ROLLER PUMP CAST IRON



**SERIES 6500
6-ROLLER PUMP**

Max. Flow Rate:22 gpm
 Max. Pressure:300 psi
 Max. RPM:1200 rpm
 Ports:3/4" NPT Inlet & Outlet
1" Hose Barb Included
 Shaft:.....5/8" Dia. (Solid)
 Continuous Operation.....100 psi
 Intermittent Operation.....300 psi

Pressure in PSI and BAR	GPM	HP	GPM	HP	GPM	HP
	LPM	HP	LPM	HP	LPM	HP
	@540 RPM		@1000 RPM		@1200 RPM	
0 PSI	9.7	.08	18.2	.20	21.8	.30
0 BAR	36.7	.08	68.9	.20	82.5	.30
50 PSI	8.0	.38	16.5	.71	20.1	.90
3.4 BAR	30.3	.38	62.4	.71	76.1	.90
100 PSI	7.2	.68	15.4	1.26	19.1	1.51
6.9 BAR	27.3	.68	58.3	1.26	72.3	1.51
150 PSI	6.6	.97	14.7	1.80	18.2	2.14
10.3 BAR	25	.97	55.6	1.80	68.9	2.14
200 PSI	5.6	1.29	14.0	2.34	17.3	2.84
13.8 BAR	21.2	1.29	53	2.34	65.5	2.84
250 PSI	4.9	1.65	13.4	2.91	16.5	3.48
17.2 BAR	18.5	1.65	50.7	2.91	62.4	3.48
300 PSI	4.3	1.91	12.7	3.47	15.7	4.17
20.7 BAR	16.3	1.91	48.1	3.47	59.4	4.17



Ref. No.	Qty. Req'd.	Part Number	Description
1	1	2300-0021	Bearing Cover
2	2	2000-0010	Sealed Ball Bearing
3	2	2107-0002	Viton Seal (Standard)
3	2	2102-0001	Buna-N Seal (Optional)
3	2	2102-0001T	Teflon-coated Buna-N Seal (Optional)
4	4	2210-0004	Bolts
5	1	0200-6600C	Endplate (Cast Iron) with Seal
5	1	0200-6600N	Endplate (Ni-Resist) with Seal
5	1	0200-6600X	Endplate (SilverCast) with Seal
6	1	1720-0008	O-ring Gasket for Endplate
7	6	1005-0004	Super Roller (Standard)
7	6	1002-0004	Polypropylene Roller (Optional)
7	6	1052-0004	Buna-N Roller (Optional)
7	6	1055-0004	Teflon Roller (Optional)

Ref. No.	Qty. Req'd.	Part Number	Description
11	1 kit	3420-0023	Base Kit - Sold Separately Includes: (1) Base, (2) Bolts and (2) Washers
12	1	0100-6600C	Body (Cast Iron) with Seal
12	1	0100-6600N	Body (Ni-Resist) with Seal
12	1	0100-6600X	Body (SilverCast) with Seal
13	1	2404-0052	1" Hose Barb
14	1	2300-0023	Shaft Bearing Cover
15	1	0300-6600C	Rotor Assembly (Cast Iron)
15	1	0300-6600N	Rotor Assembly (Ni-Resist)
15	1	0300-6600X	Rotor Assembly (SilverCast)

NOTE

**SOME PARTS ARE NON-STOCK
ITEMS AND MAY NEED TO BE
ORDERED**

NOTE

PLEASE ADD PREFIX **H TO
PART NUMBER TO REFLECT
CROPLANDS PART NUMBER**