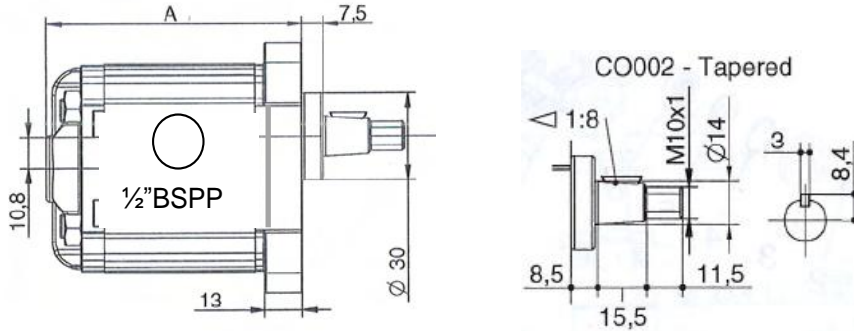


## CROPLANDS PART NUMBERS:

- **HP-219M9.8CB**                      **HYD MOTOR 9.8CC SIDE PORT – MOTOR ONLY**



**DIMENSION "A" - 9.8cc = 112.5mm**

ASSOCIATED PARTS	DESCRIPTION	QTY per MOTOR	NOTES
HP-219-13-1A	SHAFT SEAL 24x14x7 6BAR	1 *(also included in seal kit)	
HP-219-13A	SEAL KIT 6.5 & 9.8cc MOTOR	1	
**HP-219-1A1	COUPLING HALF GROUP 1.5 TAPER	1 (** or FISEM09)	SPIDER TYPE
HP-219-1C	COUPLING INSERT CH48 (rubber)	1	
**HP-219-24	ENGINE SEMI-COUPLING	1 (** or HP-219-1A1)	MULTI SPLINE TYPE
HP-219-1D1	WOODRUFF KEY 3/12.5/5mm	1	
*HP-044	NIPPLE 1/2" BSPPM x 3/4" JICM	2	*ONLY SUPPLY IF REPLACEMENT FOR REAR PORT MOTOR
*HP-045	ELBOW 1/4" BSPPM x 7/16" JICM	1	*ONLY SUPPLY IF REPLACEMENT FOR REAR PORT MOTOR