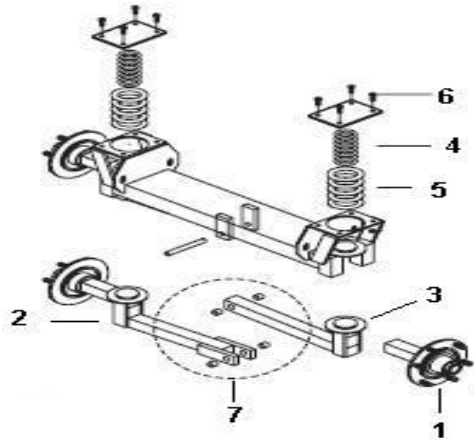
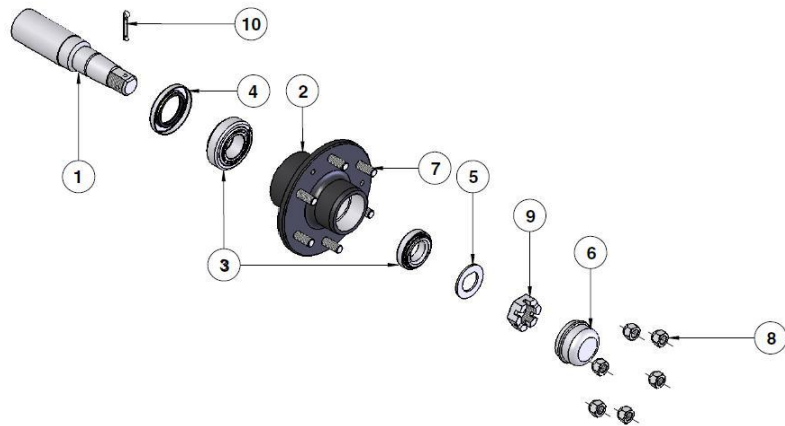


CROPLANDS PART NUMBERS: HP-236A 1500L/2000L SUSPENSION SINGLE AXLE (PRE 2011)



Item	Part No.	Description	Qty
1	HP-199B	STUB AXLE 6STUD 50MM SQ (FAD)	2
2	HP-236ARMC	SUSPENSION ARM (CLEVIS)	1
3	HP-236ARMT	SUSPENSION ARM (TANG)	1
4	HP-271A	SPRING INNER (SMALL)	2
5	HP-271	SPRING OUTER (LARGE)	2
6	<i>XCON</i>	BOLTS M12x35	8
7	HP-236A-2	BRASS BUSH	8
8	HP-236A-1	SPACER FOR 1500L (not shown)	1
9	MT10013	SPEED SENSOR MOUNTING BRACKET (not shown)	1

*Note: Drawing is for illustration purpose only
Refer to parts list.*



STUB AXLE HP-199B

Item	Part No.	Description
1	<i>HP-199B-1</i>	STUB 50SQ x M310 LONG
2	<i>HP-199B-2</i>	HUB 6/205PCD
3	HP-199BEARING	BEARING KIT 30209/30206
4	<i>HP-199B-4</i>	SEAL M53x85x8
4a	<i>HP-199B-4a</i>	SEAL RING M45.5x53x13
5	<i>N/A</i>	
6	HP-199CAP	DUST CAP 62MM
7	HP-199STUD	STUD M18.5x55
8	HP-199F-8	NUT M18.5
9	HP-199CNUT	CASTLE NUT M24x1.5
10	<i>HP-199B-10</i>	SPLIT PIN M4x40

Note: Parts in italics are non-stock items and may need to be ordered