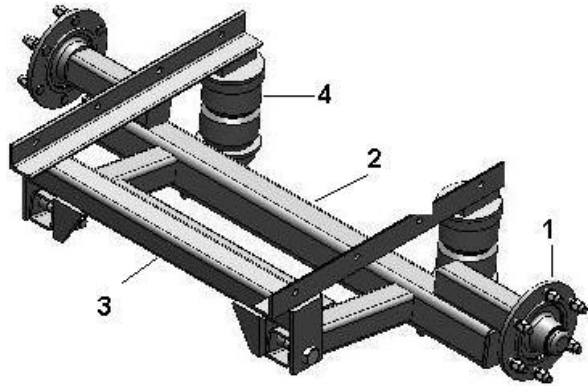
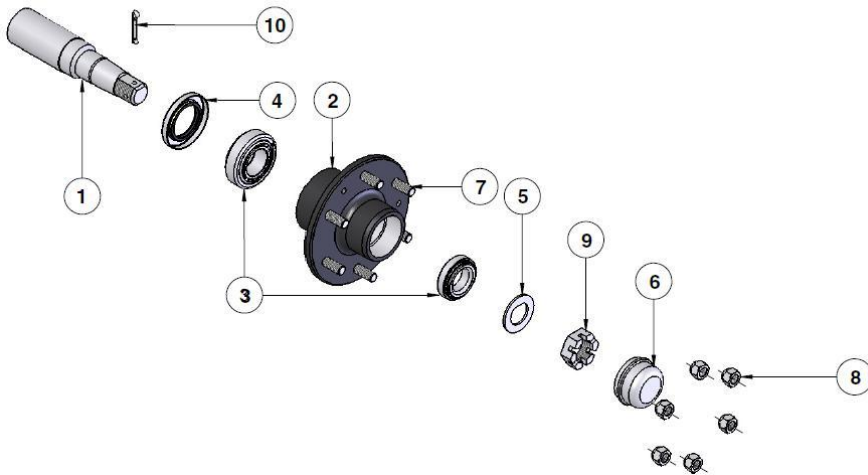


CROPLANDS PART NUMBERS: HP-236CL 4000L SUSPENSION SINGLE AXLE (PRE 2010 FAD)



Item	Part No.	Description	Qty
1	HP-199A	STUB AXLE 6STUD 70MM SQ (FAD)	2
2	<i>HP-236CLA-2</i>	AXLE BEAM	1
3	<i>HP-236CLA-1</i>	AXLE HOUSING	1
4	HP-236CL-1	RUBBER SPRING A540-75	2
5	HP-236CL-1A-1	BUSH 32x13.5X22.5 (<i>not shown</i>)	2
6	MT10013	SPEED SENSOR MOUNTING BRACKET(<i>not shown</i>)	1

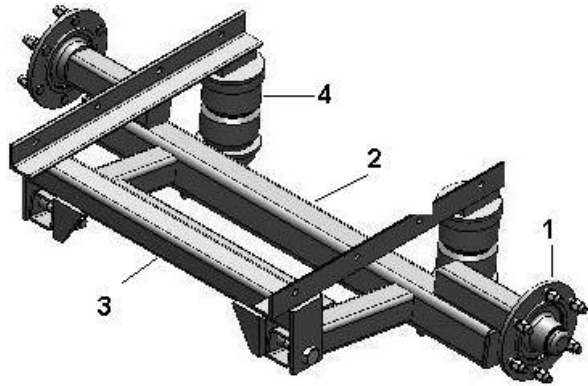
*Note: Drawing is for illustration purpose only
Refer to parts list.*



STUB AXLE HP-199A (FAD)

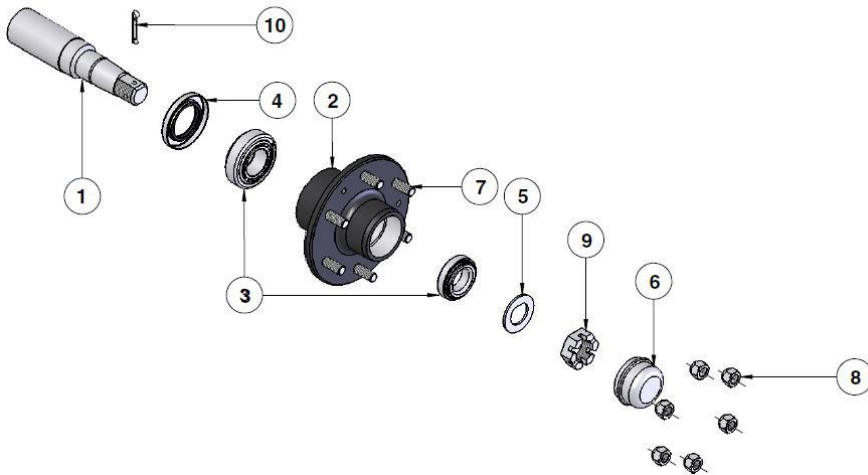
Item	Croplands P/N	Description
1	<i>HP-199A-1</i>	STUB 70SQx300LG
2	<i>HP-199A-2</i>	WHEELHUB 6/205 PCD
3	HP-199ABEARING	BEARING KIT 30213/30210
4	HP-199ASEAL	SEAL 120x80x12mm
4	<i>HP-199A-4A</i>	SEAL RING 67x80x12mm (<i>not shown</i>)
5	N/A	N/A
6	HP-199ACAP	DUST CAP 90mm
7	<i>HP-199A-7</i>	WHEEL STUD M18x1.5x49
8	HP-199F-8	WHEEL NUT M18x1.5
9	<i>HP-199A-9</i>	SLOTTED/CASTLE NUT M39x2
10	<i>HP-199A-10</i>	SPLIT PIN 55 x 6mm

Note: Parts in italics are non-stock items and may need to be ordered



Item	Part No.	Description	Qty
1	HP-199A	STUB AXLE 6STUD 70MM SQ (BPW)	2
2	<i>HP-236CLA-2</i>	AXLE BEAM	1
3	<i>HP-236CLA-1</i>	AXLE HOUSING	1
4	HP-236CL-1	RUBBER SPRING A540-75	2
5	HP-236CL-1A-1	BUSH 32x13.5X22.5 (<i>not shown</i>)	2
6	MT10013	SPEED SENSOR MOUNTING BRACKET(<i>not shown</i>)	1

Note: Drawing is for illustration purpose only
Refer to parts list.



STUB AXLE HP-199A (BPW)

Item	Croplands P/N	Description
1	<i>HP-199ABPW-1</i>	STUB 70SQx300LG
2	<i>HP-199ABPW-2</i>	WHEELHUB 6/205 PCD
3	<i>HP-199ABPW-3</i>	BEARING KIT 32013/32207
4	<i>HP-199ABPW-4</i>	SEAL M100x68x12
4a	<i>HP-199ABPW-4a</i>	WEAR RING M80x69x6 (<i>not shown</i>)
5	N/A	N/A
6	<i>HP-199ABPW-6</i>	DUST CAP 72.1mm (BPW)
7	<i>HP-199ABPW-7</i>	WHEEL STUD M18x1.5x46
8	BP-545NUT BPW	WHEEL NUT M18x1.5
8a	BP-545WASHERBPW	SPRING WASHER M18.5 (<i>not shown</i>)
9	<i>HP-199ABPW-9</i>	SLOTTED/CASTLE NUT M36x1.5
10	<i>HP-199A-10</i>	SPLIT PIN 63 x 6.3mm

Note: Parts in italics are non-stock items and may need to be ordered