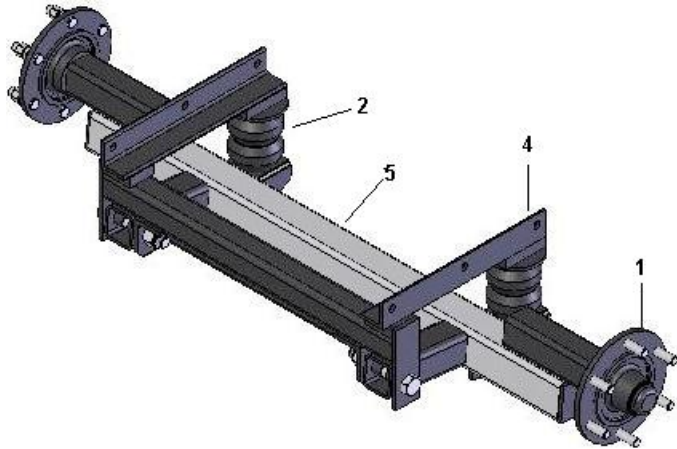


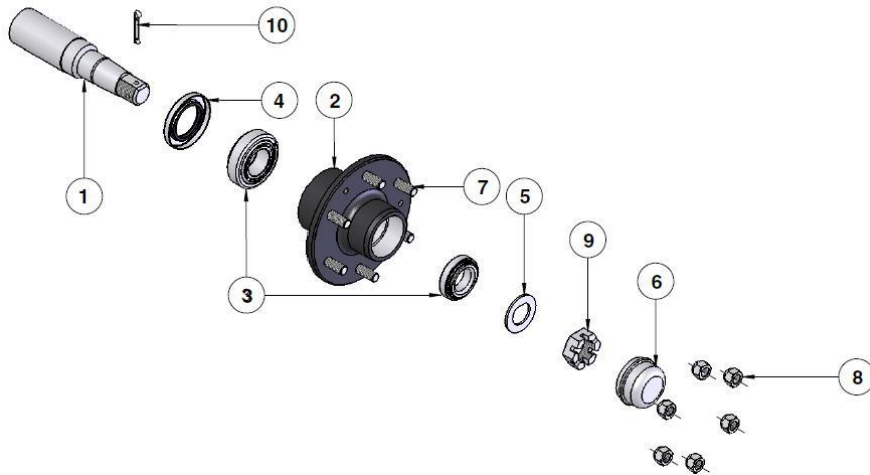
CROPLANDS PART NUMBERS: HP-236D

3000L SUSPENSION SINGLE AXLE



Item	Part No.	Description	Qty
1	HP-199E	STUB AXLE 6STUD 75MM SQUARE	2
2	HP-236CL-1	RUBBER SPRING A450-75	2
3	HP-236CLA-1A-1	BUSH 32x13.5X22.5 <i>not shown</i>)	2
4	<i>HP-236D-1</i>	AXLE HOUSING	1
5	<i>HP-236D-2</i>	AXLE BEAM	1
6	MT10013	SPEED SENSOR MOUNTING BRACKET <i>(not shown)</i>	1

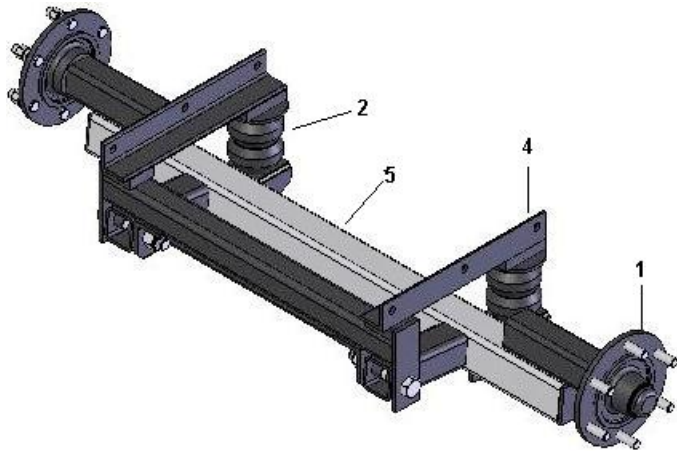
*Note: Drawing is for illustration purpose only
Refer to parts list.*



STUB AXLE HP-199E

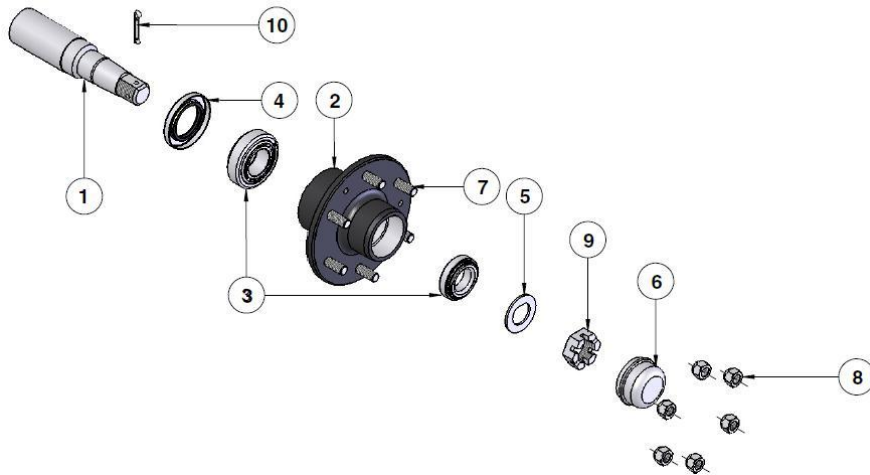
Item	Croplands P/N	Description
1	HP-199E-1	STUB 75SQx395LG
2	HP-199E-2	WHEELHUB 6/205 PCD
3	HP-199E-3	BEARING KIT 32213/32210
4	HP-199E-4	TRIPLE LIP SEAL 125x90x12mm
4	HP-199E-4A	SEAL RING 70.5x90x16.5mm <i>(not shown)</i>
4	HP-199E-4B	WEAR RING <i>(to suit T.L.S not shown)</i>
5	N/A	N/A
6	HP-199E-6	DUST CAP <i>(3 screws items 11 and 12)</i>
7	HP-199F-7	WHEEL STUD M18x1.5x65
8	HP-199F-8	WHEEL NUT M18x1.5
9	HP-199E-9	SLOTTED/CASTLE NUT M39x2
10	HP-199E-10	SPLIT PIN 60 x 6mm
11	HP-199E-11	SOCKET HEAD CAP SCREW M8x30 <i>(not shown)</i>
12	HP-199E-12	M8 RIB LOCK WASHERS <i>(not shown)</i>

Note: Parts in italics are non-stock items and may need to be ordered



Item	Part No.	Description	Qty
1	HP-199A	STUB AXLE 6STUD 70MM SQ (FAD)	2
2	HP-236CL-1	RUBBER SPRING A450-75	2
3	HP-236CLA-1A-1	BUSH 32x13.5X22.5 <i>not shown</i>)	2
4	<i>HP-236D-1</i>	AXLE HOUSING	1
5	<i>HP-236D-2</i>	AXLE BEAM	1
6	MT10013	SPEED SENSOR MOUNTING BRACKET (<i>not shown</i>)	1

*Note: Drawing is for illustration purpose only
Refer to parts list.*

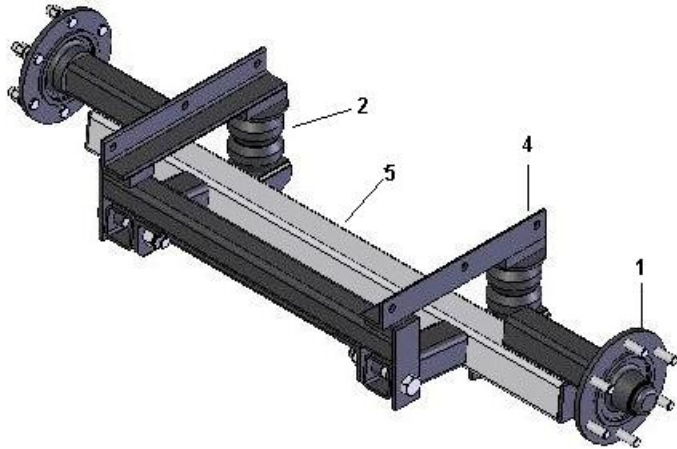


Item	Croplands P/N	Description
1	<i>HP-199A-1</i>	STUB 70SQx300LG
2	<i>HP-199A-2</i>	WHEELHUB 6/205 PCD
3	HP-199ABEARING	BEARING KIT 30213/30210
4	HP-199ASEAL	SEAL 120x80x12mm
4	<i>HP-199A-4A</i>	SEAL RING 67x80x12mm (<i>not shown</i>)
5	N/A	N/A
6	HP-199ACAP	DUST CAP 90mm
7	<i>HP-199A-7</i>	WHEEL STUD M18x1.5x49
8	HP-199F-8	WHEEL NUT M18x1.5
9	<i>HP-199A-9</i>	SLOTTED/CASTLE NUT M39x2
10	<i>HP-199A-10</i>	SPLIT PIN 55 x 6mm

STUB AXLE HP-199A (FAD)

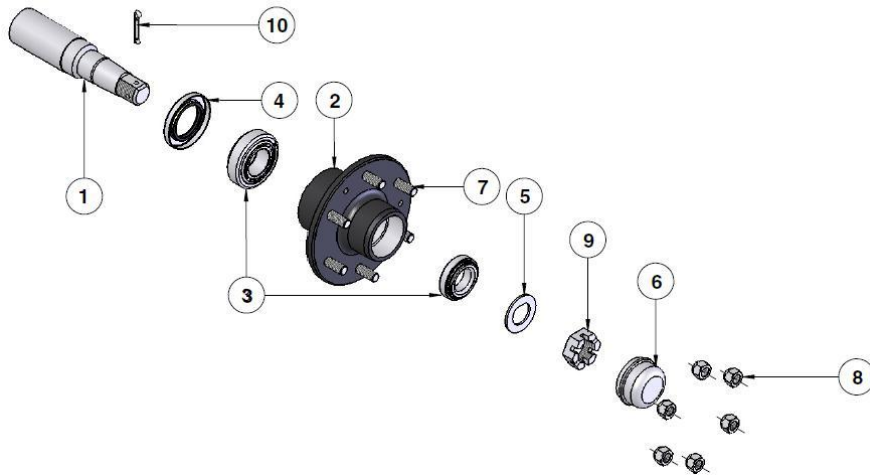
Note: Parts in italics are non-stock items and may need to be ordered

CROPLANDS PART NUMBERS: HP-236D 3000L SUSPENSION SINGLE AXLE (PRE 2010 BPW)



Item	Part No.	Description	Qty
1	HP-199A	STUB AXLE 6STUD 70MM SQ (BPW)	2
2	HP-236CL-1	RUBBER SPRING A450-75	2
3	HP-236CLA-1A-1	BUSH 32x13.5X22.5 <i>not shown</i>)	2
4	<i>HP-236D-1</i>	AXLE HOUSING	1
5	<i>HP-236D-2</i>	AXLE BEAM	1
6	MT10013	SPEED SENSOR MOUNTING BRACKET <i>(not shown)</i>	1

*Note: Drawing is for illustration purpose only
Refer to parts list.*



STUB AXLE HP-199A (BPW)

Item	Croplands P/N	Description
1	<i>HP-199ABPW-1</i>	STUB 70SQx300LG
2	<i>HP-199ABPW-2</i>	WHEELHUB 6/205 PCD
3	<i>HP-199ABPW-3</i>	BEARING KIT 32013/32207
4	<i>HP-199ABPW-4</i>	SEAL M100x68x12
4a	<i>HP-199ABPW-4a</i>	WEAR RING M80x69x6 <i>(not shown)</i>
5	N/A	N/A
6	<i>HP-199ABPW-6</i>	DUST CAP 72.1mm (BPW)
7	<i>HP-199ABPW-7</i>	WHEEL STUD M18x1.5x46
8	BP-545NUT BPW	WHEEL NUT M18x1.5
8a	BP-545WASHERBPW	SPRING WASHER M18.5 <i>(not shown)</i>
9	<i>HP-199ABPW-9</i>	SLOTTED/CASTLE NUT M36x1.5
10	<i>HP-199A-10</i>	SPLIT PIN 63 x 6.3mm

Note: Parts in italics are non-stock items and may need to be ordered