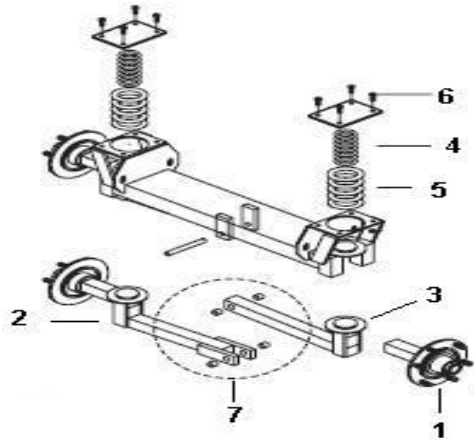
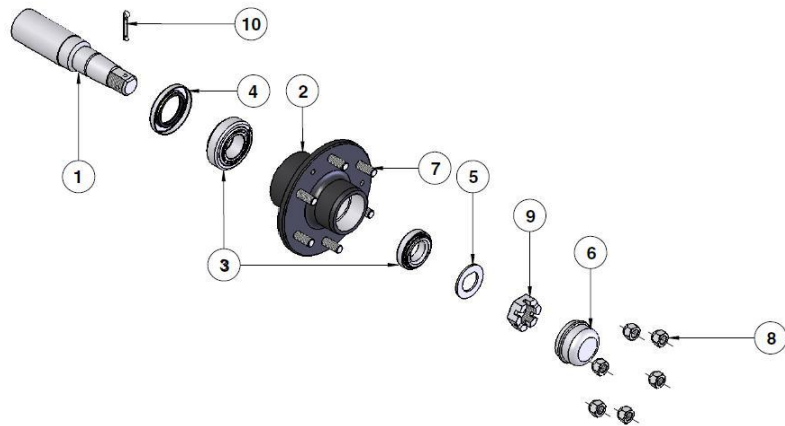


CROPLANDS PART NUMBERS: HP-236F 1500L/2000L SUSPENSION SINGLE AXLE



Item	Part No.	Description	Qty
1	HP-199F	STUB AXLE 6STUD 50MM SQUARE	2
2	<i>HP-236FARMC</i>	SUSPENSION ARM (CLEVIS)	1
3	<i>HP-236FARMT</i>	SUSPENSION ARM (TANG)	1
4	HP-271A	SPRING INNER (SMALL)	2
5	HP-271	SPRING OUTER (LARGE)	2
6	<i>XCON</i>	BOLTS M12x35	8
7	HP-236A-2	BRASS BUSH	8
8	HP-236A-1	SPACER FOR 1500L (not shown)	1
9	MT10013	SPEED SENSOR MOUNTING BRACKET (not shown)	1

Note: Drawing is for illustration purpose only
Refer to parts list.



STUB AXLE HP-199F

Item	Part No.	Description
1	HP-199F-1	STUB 50SQx338LG
2	HP-199F-2	HUB DRILLED 6/205PCD
3	HP-199F-3	BEARING KIT 32209/32206
4	HP-199F-4	SEAL M85x54x10
4a	HP-199F-4A	SEAL RING M46x54x13 (not shown)
5	HP-199F-5	FLAT WASHER 1 1/8"
6	HP-199F-6	DUST CAP (3 screws items 11 and 12)
7	HP-199F-7	WHEEL STUD M18x1.5x65
8	HP-199F-8	WHEEL NUT M18x1.5
9	HP-199F-9	SLOTTED NUT M27x2
10	HP-199F-10	SPLIT PIN M5x50
11	HP-199F-11	SOCKET HEAD CAP SCREW M6x30 (not shown)
12	HP-199F-12	RIB LOCK WASHER M6 (not shown)

Note: Parts in italics are non-stock items and may need to be ordered