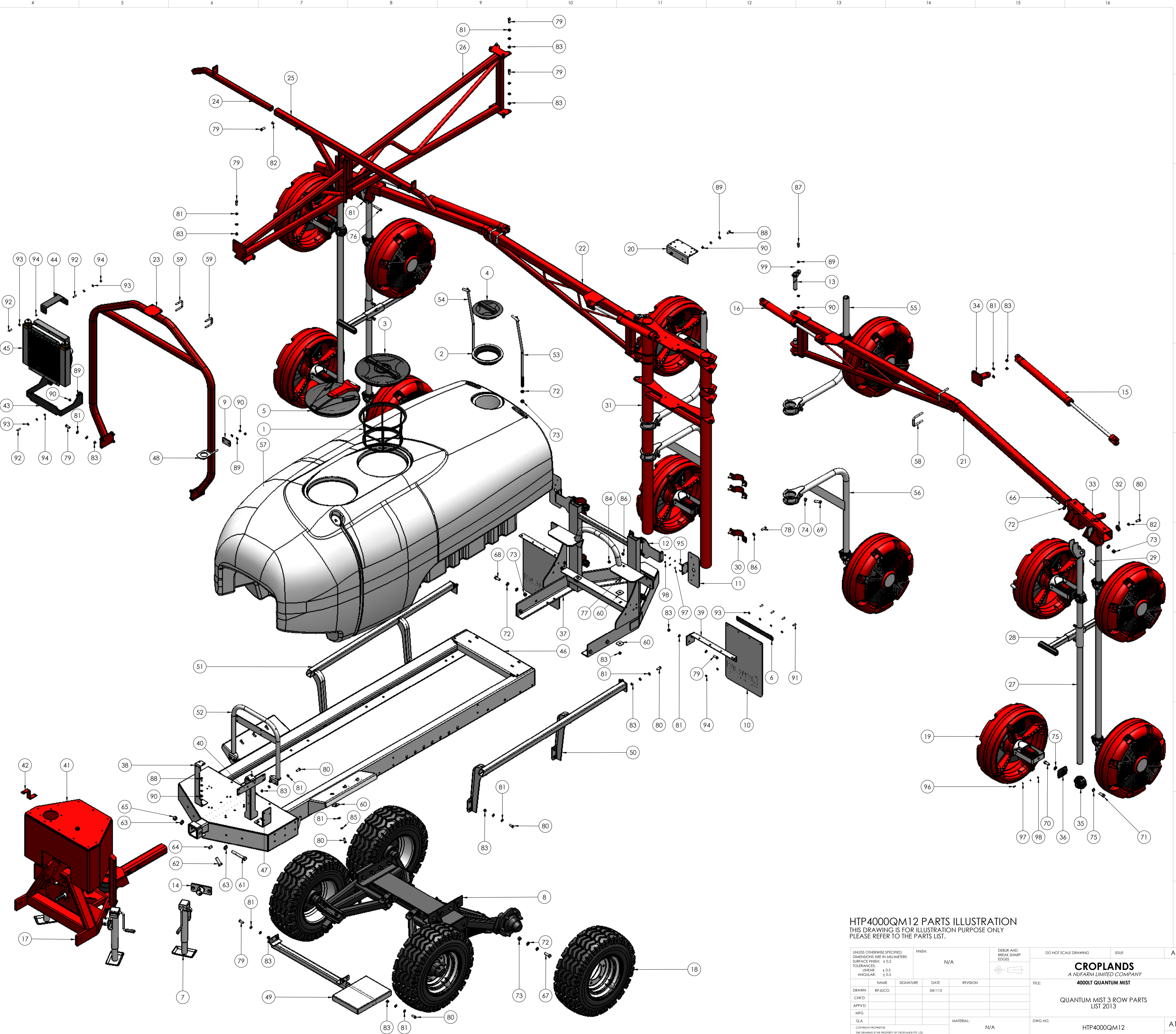


ITEM NO.	PART NUMBER	DESCRIPTION	QTY.
1	A300130	FILTER BASKET LARGE 254MM DEEP	1
2	A350620	LID RING WITH GASKET	1
3	A3510060	LID/RING KIT 455MM	1
4	A3522120	LID ONLY 255MM CLOSED	1
5	A356060	LID HINGED 180 DEGREE 455MM	1
6	BP-180	MUDFLAP PLATE	2
7	BP-184A	JOCKEY STAND SHORT PINTO	3
8	BP-400ADLA	SUSPENSION RANDER 4000LT ANDYS HUB	1
9	BP-541	PLATE FOR 50MM U-BOLT	1
10	BP-542	MUDFLAP WHITE	2
11	BP-635	MOUNT PLATE TAIL LIGHT	2
12	BP-635-1	TAIL LIGHT EXTENSION BRACKET	2
13	BP-700-9AA	PIN 30MM X 1 155MM HAYLITE	4
14	HP-006	SPIGOT PLATE JACK STAND	1
15	HP-014	HYDRAULIC CYLINDER 2 X 24	2
16	HP-016	HYDRAULIC CYLINDER 2.0 X 10	2
17	HP-024C	SELF STEER DRAWBAR 3PTL 3000/4000LT	1
18	HP-200A	TYRE & WHEEL AWT 10/75-15.3	4
19	HP-219-31A	QM SARDI FAN RP 9.8 MOTOR w/ FLANGE	12
20	HP-229	MANIFOLD BRACKET HP-223C2	1
21	HP-274A-2G	BOOM ARM LH QM VER4 3000LT	1
22	HP-274A-3G	BOOM ARM RH QM VER4 3000LT	1
23	HP-274A-4B2	FRONT BRACE QM 3000/4000	1
24	HP-274A-5	PARKING ARM	2
25	HP-274A-5-1	PARKING BRACKET QM	1
26	HP-274A-6H	TOP BRACE QM 4000LT	1
27	HP-274A-10	DROPPER ARM OUTER	4
28	HP-274A-10-3	QM DROPPER TUBE BUMPER	2
29	HP-274A-11	STEEL BUSH QM	4
30	HP-274A-14	CLAMP HALF SADDLE 90MM	6
31	HP-274A-15A	MAIN TOWER ASSEMBLY QM	1
32	HP-274A-16A	NYLON BUTTON 50 X 10	8
33	HP-274B-12C	SWIVEL BRACKET 3 ROW ORORA	2
34	HP-274B-18	BRACKET CYLINDER ORORA	2
35	HP-275C	CLAMP CAST QUICK ADJUST	12
36	HP-275C-1	CLAMP PLATE QM500	12
37	HP-283D	SUB FRAME QM 4000LT	1
38	HP-286A	BRACKET ECM 3000LT QUANTUM	2
39	HP-288A	BRACKET MUDFLAP BP-400AD	2
40	HP-289	MANIFOLD BRACKET A463CCRO08A	1
41	HP-298-11B	HYDRAULIC TANK DRAWBAR BOLT ON	1
42	HP-298-13A-1	GAUGE BRACKET HYDPACK3	1
43	HP-298-15A-1	BRACKET OIL COOLER	1
44	HP-298-15A-2	TOP SUPPORT BRACKET OIL COOLER	1
45	HP-298-16A	OIL COOLER 12V AIR TYPE HYDAC	1
46	HP4000ABA	CHASSIS 4000LT AIRBLAST HAYLITE	1
47	HP-405	BRACKET FILTER SUCTION	1
48	HP-434	BRACKET DAM FILL 3000LT	1
49	HP-702A	STEP, RETRACTABLE 4000LT	1
50	HP-704LA	SIDE RAIL L.H. 4000LT HAYLITE	1
51	HP-704RA	SIDE RAIL RH 4000LT HAYLITE	1
52	HP-711A	FRONT TANK SUPPORT 4000LT	1
53	HP-715L	TIE DOWN ROD L.H. 4000LT	1
54	HP-715R	TIE DOWN ROD R.H. 4000LT	1
55	HP-820	BRACKET QM HOOK TYPE 600 X 800	2
56	HP-829	BRACKET HOOK TYPE 600MM X 1000MM	2
57	P4000AB-RAW	4000LT TANK POLY AIRBLAST RAW	1
58	XBMBB65	U-BOLT 65MM X 12	4
59	XBMBB50	U-BOLT 50MM X 10	2
60	S0SQWASHER	50MM SQUARE WASHER	10
61	M20X140BOLT	M20 X 140 HEX HEAD BOLT HT ZP	1
62	M20X60	M20 X 60 SET SCREW HT ZP	2
63	M20FWASHER	M20 FLAT WASHER ZP	2
64	M20HNUT	M20 HALF NUT ZP	2
65	M20NNUT	M20 NYLOC NUT HT ZP	1
66	M16X100BOLT	M16 X 100 BOLT HT ZP	4
67	M16X50	M16 X 50 HEX HEAD SET SCREW HT ZP	8
68	M16X40	M16 X 40 HEX HEAD SET SCREW	4
69	M16X45SS	M16 X 45 S/S HEX HEAD SET SCREW	8
70	M16X40SS	M16 X 40 S/S HEX HEAD SET SCREW	10
71	M16X35SS	M16 X 35 S/S HEX HEAD SET SCREW	10
72	M16FWASHER	M16 FLAT WASHER ZP	34
73	M16NNUT	M16 NYLOC NUT HT ZP	18
74	M16SSHUT	M16 S/S HEX NUT	8
75	M16SSWASHER	M16 S/S SPRING WASHER	20
76	M12X100BOLT	M12 X 100 HEX HEAD BOLT HT ZP	2
77	M12X40	M12 X 40 HEX HEAD SET SCREW HT ZP	2
78	M12X40SS	M12 X 40 SET SCREW S/S HT ZP	12
79	M12X35	M12 X 35 SET SCREW HT ZP	30
80	M12X30	M12 X 30 SET SCREW HT ZP	30
81	M12FWASHER	M12 FLAT WASHER ZP	110
82	M12HNUT	M12 HEX NUT HT ZP	8
83	M12NNUT	M12 NYLOC NUT HT ZP	58
84	M12SSNUT	M12 S/S NYLOC NUT	12
85	M12SWASHER	M12 SPRING WASHER ZP	6
86	M12SSFASHER	M12 S/S FLAT WASHER	24
87	M10X30	M10 X 30 SET SCREW HT ZP	4
88	M10X25	M10 X 25 SET SCREW HT ZP	8
89	M10FWASHER	M10 FLAT WASHER ZP	30
90	M10NNUT	M10 NYLOC NUT HT ZP	18
91	MBX35	M8 X 35 SET SCREW HT ZP	8
92	MBX30	M8 X 30 SET SCREW HT ZP	5
93	MBFWASHER	M8 FLAT WASHER ZP	26
94	MBNNUT	M8 NYLOC NUT HT ZP	13
95	M6X20	M6 X 25 SET SCREW HT ZP	4
96	M6X16	M6 X 16 SET SCREW HT ZP	8
97	M6FWASHER	M6 FLAT WASHER ZP	24
98	M6NNUT	M6 NYLOC NUT HT ZP	12
99	M6GNIPPLE	M6 GREASE NIPPLE	4



HTP4000QM12 PARTS ILLUSTRATION
 THIS DRAWING IS FOR ILLUSTRATION PURPOSE ONLY
 PLEASE REFER TO THE PARTS LIST.

UNLESS OTHERWISE SPECIFIED: DIMENSIONS ARE IN MILLIMETERS SURFACE FINISH: 1:0.2 TOLERANCES: LINEAR: ±0.3 ANGULAR: ±0.5	FINISH: N/A	DEBUR AND BREAK SHARP EDGES	DO NOT SCALE DRAWING	ISSUE
DRAWN: BP/JUCO		SIGNATURE:	DATE: 04/11/13	REVISION:
CHKD:	APPV'D:	MFG:	Q.A.:	MATERIAL: N/A
COPYRIGHT PROPRIETOR: N/A			WEIGHT:	SCALE: 1:15

CROPLANDS
 A NUFARM LIMITED COMPANY
4000LT QUANTUM MIST

QUANTUM MIST 3 ROW PARTS LIST 2013

HTP4000QM12

SHEET 1 OF 1