

HV40LOOM/2 CONTROLLER LOOM TRACTOR END

PIN	DESIGNATION	COLOUR
1	LEFT 2	BLU/YEL
2	LEFT 1	WHT
3	RIGHT 1	ORG/BLU
4	RIGHT 2	PNK
5	BATTERY IN	RED
6	PRESSURE 1	RED/GRY
7	GRND	BLU
8	SPEED IN	YEL
9	DUMP	BRN/YEL
10	12 +VE IN	RED
11	12 +VE IN	RED
12	GRND	BLK
13	GRND	BLK/RED
14	GRND	ORG
15	FLOW 1 IN	GRN/PUR
16	12 +VE IN	RED
17	12 +VE IN	RED
18	GRND	WHT/RED
19	FAN RPM IN	BLU/WHT
20	SENSOR +VE OUT	GRN
21	SERVO Vv 1A	GRY
22	SERVO Vv 1B	PUR
23	SPARE	N/A
24	SPARE	N/A

PIN	DESIGNATION	COLOUR
A	BLANK	N/A
B	PIN 15 24Pin	BLK/WHT
C	PIN 6 24Pin	BLU/RED
D	BLANK	N/A
E	PIN 4 24PIN	BLK
F	12 +VE 4mm	ORG
G	12 -VE	GRN
H	PIN 16 24Pin 4mm	RED
J	PIN 13 24Pin	BLU/BLK
K	PIN 10 24Pin	BRN

PIN	DESIGNATION	COLOUR
A		
B		
C		
D		
E		
F		
G		
H		
J	Pump Speed indicator	
K		

PIN	DESIGNATION	COLOUR
1		
2		
3		
4		
30	Pump Speed Indicator in	
32		
33		
34		
35		

PIN	DESIGNATION	COLOUR
A	SPEED SENSOR IN	YEL/WHT
B	SENSOR 12 +VE	GREEN
C	12V -VE	BLU

PIN	DESIGNATION	COLOUR
A	12V +VE	RED
B	SPARE	N/A
C	12V -VE	BLACK

PIN	DESIGNATION	COLOUR
1	SERVO Vv 1A	GRY
2	SENSOR +VE OUT	GRN
3	SERVO Vv 1B	PUR
4	E 10Pin	BLK
5	FAN RPM IN	BLU/WHT
6	C 10Pin	BLU/RED
7	RIGHT 1	ORG/BLU
8	GRND	BLK/RED
9	GRND	ORG
10	K 10Pin	BRN
11	GRND	BLU
12	12 +VE (10 AMP FUSE)	ORG 4mm
13	J 10Pin	BLU/BLK
14	RIGHT 2	PNK
15	B 10Pin	BLK/WHT
16	H 10Pin	RED
17	LEFT 2	BLU/YEL
18	FLOW 1 IN	GRN/PUR
19	DUMP	BRN/YEL
20	LEFT 1	WHT
21	SPEED 1	YEL
22	PRESSURE 1	RED/GRY
23	GRND	WHT/RED
24	GRND	GRN 4mm

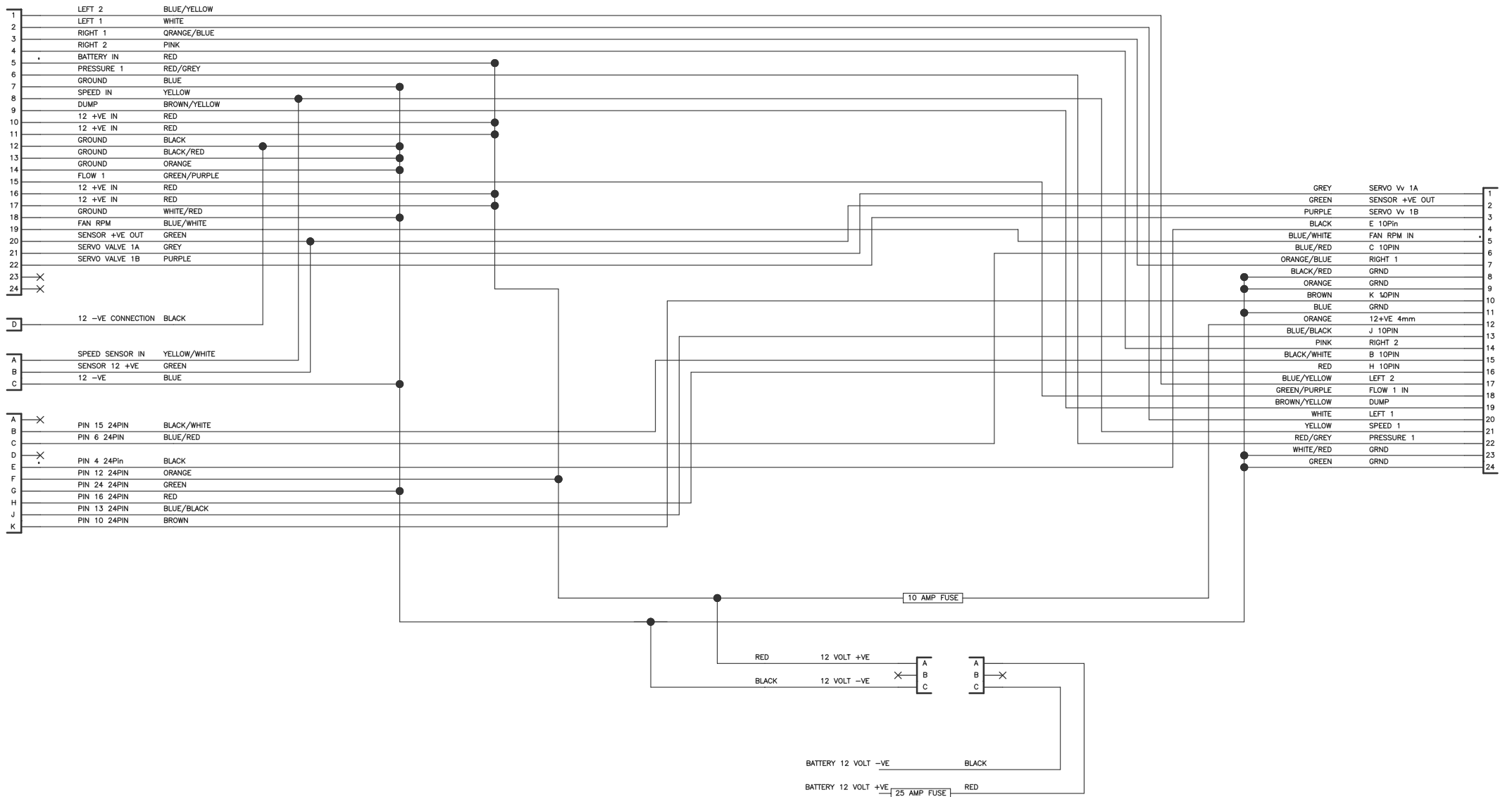
12 VOLT BATTERY CONNECTION

FUSED +VE TO BOOM SECTION VALVES

Optional

ITEM	PART NUMBER	DESCRIPTION	QTY.
1		FUSE HOLDER 25AMP	1
2		F/M 3PIN METRI-PAK LGE	1
3		MALE 3PIN METRI-PAK LGE	1
4		FUSE HOLDER 10AMP	1
5		F/M 3PIN METRI-PAK SML	1
6		F/M 10PIN METRI PAK	1
7		-VE CONNECTION	1
8		AMP 90deg 24PIN F/M	1
9	HEE-024-F	CONNECTOR 24PIN TRACTOR	1
10	PG29	CABLE GLAND PLASTIC	1

11		MALE 10PIN METRI PAK	1
12		AMP 90deg 37PIN F/M	1
13	HV40LOOM/2A	HV4000 ADAPTOR LOOM	1



HV40LOOM/2 CONTROLLER LOOM
TRACTOR END