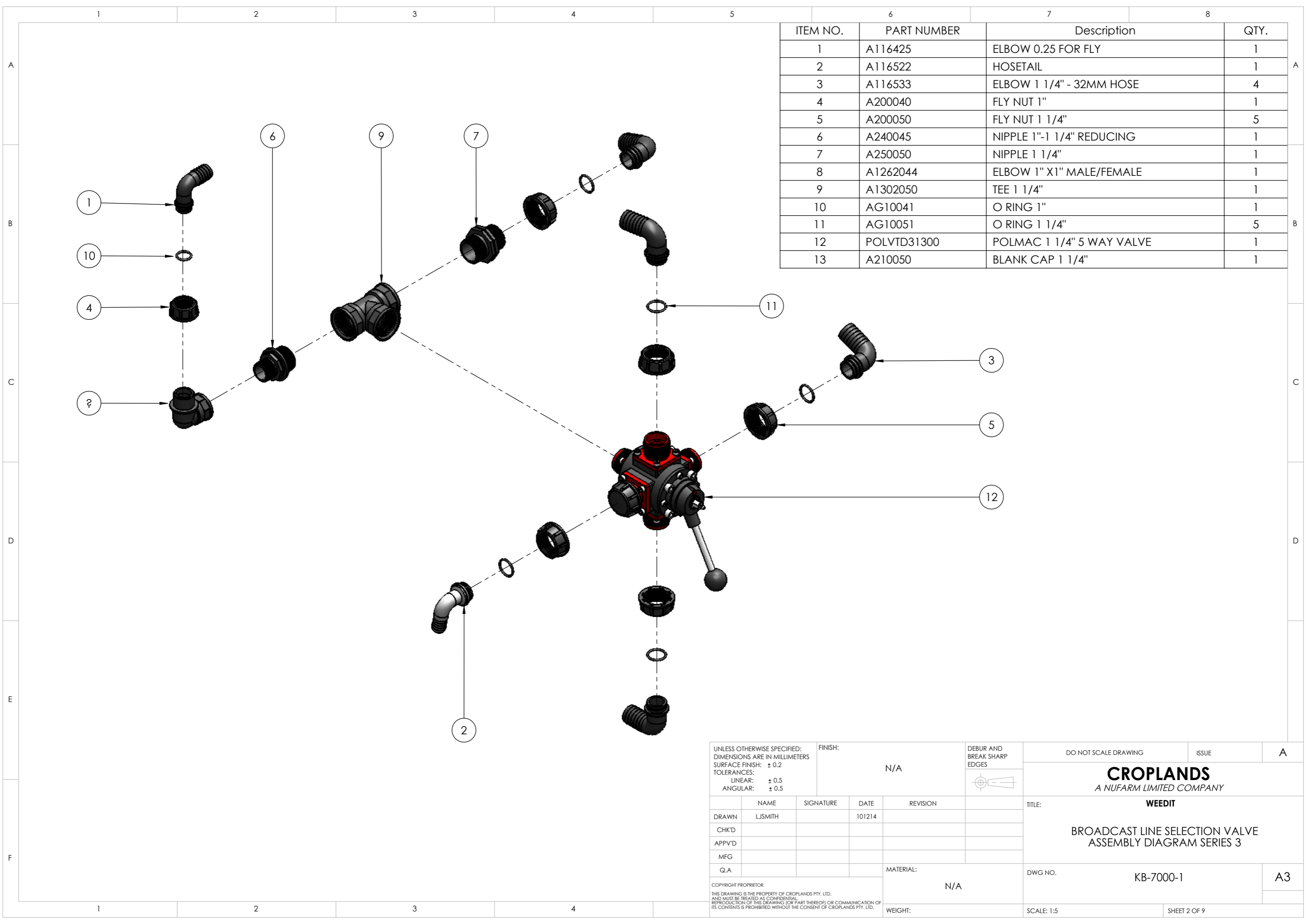


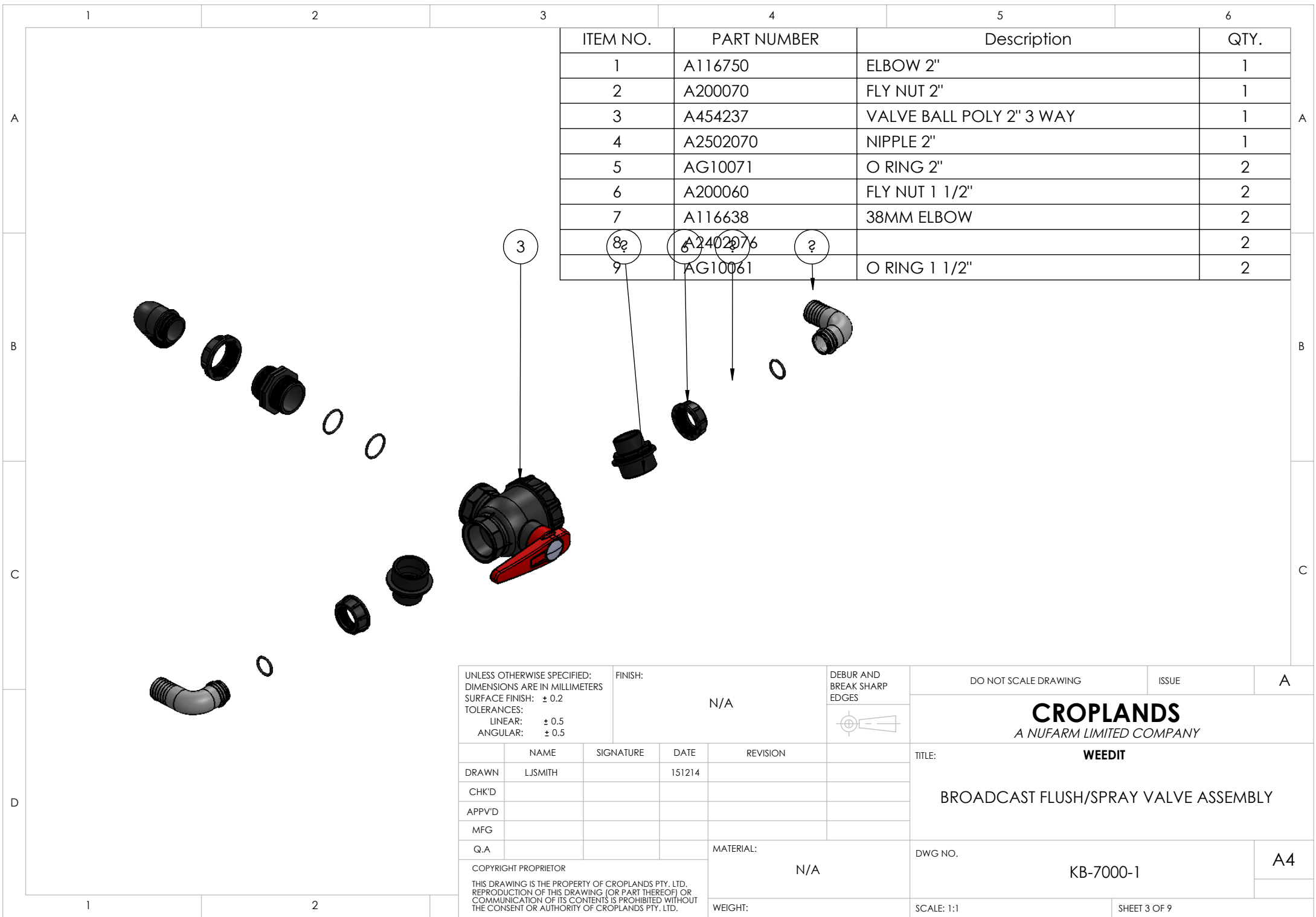
ITEM NO.	PART NUMBER	Description	QTY.
1	B165.1501.4	BALL VALVE 1/2" X 3/8" RH	2
2	A010007	FORK D.5 INTERN.59	7
3	A31720F2		1
4	A3160F3	FILTER SUCTION T7 50MM	1
5	A116533	ELBOW 1 1/4" - 32MM HOSE	1
6	A120066	ELBOW 1 1/2" X 1 1/2" FEMALE THREAD	1
7	A200050	FLY NUT 1 1/4"	1
8	A200060	FLY NUT 1 1/2"	1
9	A250030	NIPPLE 3/4"	1
10	A250050	NIPPLE 1 1/4"	1
11	A250060	NIPPLE 1 1/2"	2
12	A259177	NIPPLE T7M -T7M	1
13	A504015	NON RETURN VALVE 1 1/2" FEMALE	1
14	A1032532		2
15	A1090750	HOSETAIL T7F D.50	2
16	A1190750	ELBOW T7F D.50	4
17	A1302050	TEE 1 1/4"	1
18	AG10017	O RING	2
19	AG10051	O RING 1 1/4"	1
20	AG10061	O RING 1 1/2"	1
21	AG11017	O RING	4
22	A106633	TAIL 1 1/2" TO 32MM	1
23	BJCPLG075	SOCKET NPT 3/4" NYLON	1
24	BJHB075-050	HOSEBARB 3/4" NPT X 1/2" BARB	1
25	BJHB100	HOSEBARB 1" NPT X 1" BARB	2
26	BP-700C-6-001	CONTROL PANEL WEEDIT	1
27	K-075-CAP	CAMLOCK 3/4" CAP "DC" POLY GLASS	1
28	K-075-F	CAMLOCK 3/4" MALE THREAD "F" POLY	1
29	K-150-CAP	CAMLOCK 1 1/2" CAP "DC" POLY	1
30	K-150-F	CAMLOCK 1 1/2" MALE THREAD "F"	1
31	KB-7000-1-001	BROADCAST FUNCTION SELECTION VALVE ASSEMBLY	1
32	KB-7000-1-002	RAMSEY VALVE RETURN VALVE ASSEMBLY	1
33	KB-7000-1-003	ACE PUMP VENT VALVE ASSEMBLY	1
34	KB-7000-1-004	WEEDIT FLOW CONTROL VALVE	1
35	KB-7000-1-005	WEEDIT RETURN MANIFOLD	1
36	KB-7000-1-006	WEEDIT FILL VALVE ASSEMBLY	1
37	KB-7000-1-007	WEEDIT AGITATOR AND RINSE VALVE ASSEMBLY	1
38	KB-7000-1-008	GAUGE 100MM 0-1600KPA 3/8" B/E	1
39	L-G1611		1
40	PH4622	ELBOW 3/4" FEMALE	1
41	PH5023	NON RETURN VALVE 1"	1
42	POL0003306.4CR	ONE WAY VALVE KIT 2"	1
43	POLCHRE0001	PONY FLOW 4 REMOTE DISPLAY	1
44	POLRF6012	HOSETAIL T7F D.50	1
45	TFA1212F	TAIL BRASS 1/2" BSPF X 1/2" TAIL	1
46	TFA3838	TAIL BRASS 3/8" BSPM X 3/8" TAIL	1
47	TFT3838FF	TEE 3/8" BSPF BRASS	1
48	Tube_62^KB-7000-1		1
49	Tube_64^KB-7000-1		1
50	Tube_65^KB-7000-1		1
51	Tube_66^KB-7000-1		1
52	Tube_68^KB-7000-1		1
53	Tube_71^KB-7000-1		1
54	Tube_72^KB-7000-1		1
55	Copy of Tube_56^KB-7000-1		1
56	B163.604.4	ELBOW 10MM 90DEG C/W 1/2" WING NUT	1
57	POL41308899		1

UNLESS OTHERWISE SPECIFIED: DIMENSIONS ARE IN MILLIMETERS SURFACE FINISH: ± 0.2 TOLERANCES: LINEAR: ± 0.5 ANGULAR: ± 0.5		FINISH: N/A	DEBUR AND BREAK SHARP EDGES	DO NOT SCALE DRAWING	ISSUE	B
DRAWN: LJS/SMITH CHKD: APPVD: MFG: Q.A:			SIGNATURE	DATE: 22/10/14	REVISION	
MATERIAL: N/A			TITLE: <b>WEEDIT</b> KB-7000-1 ASSEMBLY DIAGRAM		DWG NO. KB-7000-1	A2
WEIGHT:			SCALE: 1:10		SHEET 1 OF 9	




ITEM NO.	PART NUMBER	Description	QTY.
1	A116425	ELBOW 0.25 FOR FLY	1
2	A116522	HOSETAIL	1
3	A116533	ELBOW 1 1/4" - 32MM HOSE	4
4	A200040	FLY NUT 1"	1
5	A200050	FLY NUT 1 1/4"	5
6	A240045	NIPPLE 1"-1 1/4" REDUCING	1
7	A250050	NIPPLE 1 1/4"	1
8	A1262044	ELBOW 1" X1" MALE/FEMALE	1
9	A1302050	TEE 1 1/4"	1
10	AG10041	O RING 1"	1
11	AG10051	O RING 1 1/4"	5
12	POLVTD31300	POLMAC 1 1/4" 5 WAY VALVE	1
13	A210050	BLANK CAP 1 1/4"	1

UNLESS OTHERWISE SPECIFIED: DIMENSIONS ARE IN MILLIMETERS SURFACE FINISH: ± 0.2 TOLERANCES: LINEAR: ± 0.5 ANGULAR: ± 0.5		FINISH:  N/A	DEBUR AND BREAK SHARP EDGES 	DO NOT SCALE DRAWING	ISSUE	A																							
<table border="1"> <thead> <tr> <th>NAME</th> <th>SIGNATURE</th> <th>DATE</th> <th>REVISION</th> </tr> </thead> <tbody> <tr> <td>DRAWN</td> <td>LJSMITH</td> <td>101214</td> <td></td> </tr> <tr> <td>CHK'D</td> <td></td> <td></td> <td></td> </tr> <tr> <td>APPV'D</td> <td></td> <td></td> <td></td> </tr> <tr> <td>MFG</td> <td></td> <td></td> <td></td> </tr> <tr> <td>Q.A</td> <td></td> <td></td> <td></td> </tr> </tbody> </table>			NAME	SIGNATURE	DATE	REVISION	DRAWN	LJSMITH	101214		CHK'D				APPV'D				MFG				Q.A				<p><b>CROPLANDS</b> A NUFARM LIMITED COMPANY</p> <p>TITLE: <b>WEEDIT</b></p> <p>BROADCAST LINE SELECTION VALVE ASSEMBLY DIAGRAM SERIES 3</p>		
NAME	SIGNATURE	DATE	REVISION																										
DRAWN	LJSMITH	101214																											
CHK'D																													
APPV'D																													
MFG																													
Q.A																													
<small>COPYRIGHT PROPRIETOR THIS DRAWING IS THE PROPERTY OF CROPLANDS PTY. LTD. AND MUST BE TREATED AS CONFIDENTIAL. REPRODUCTION OF THIS DRAWING (OR PART THEREOF) OR COMMUNICATION OF ITS CONTENTS IS PROHIBITED WITHOUT THE CONSENT OF CROPLANDS PTY. LTD.</small>			MATERIAL:  N/A	DWG NO.	KB-7000-1	A3																							
			WEIGHT:	SCALE: 1:5	SHEET 2 OF 9																								

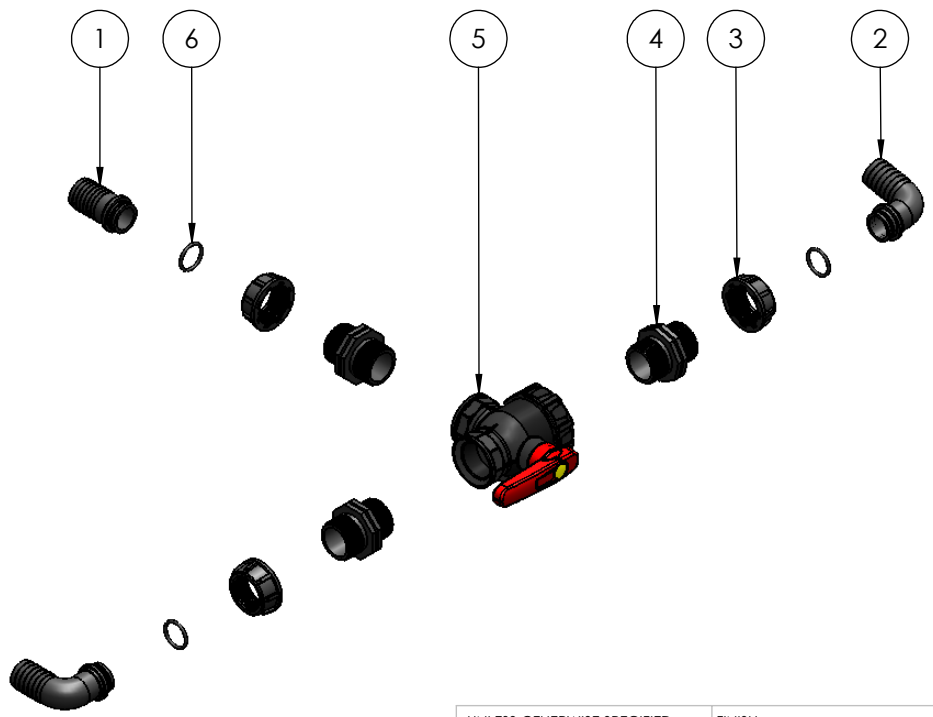


ITEM NO.	PART NUMBER	Description	QTY.
1	A116750	ELBOW 2"	1
2	A200070	FLY NUT 2"	1
3	A454237	VALVE BALL POLY 2" 3 WAY	1
4	A2502070	NIPPLE 2"	1
5	AG10071	O RING 2"	2
6	A200060	FLY NUT 1 1/2"	2
7	A116638	38MM ELBOW	2
8?	A2402076		2
9	AG10061	O RING 1 1/2"	2

UNLESS OTHERWISE SPECIFIED: DIMENSIONS ARE IN MILLIMETERS SURFACE FINISH: ± 0.2 TOLERANCES: LINEAR: ± 0.5 ANGULAR: ± 0.5		FINISH:  N/A		DEBUR AND BREAK SHARP EDGES 	
NAME	SIGNATURE	DATE	REVISION	MATERIAL:  N/A	
DRAWN	LJSMITH	151214		WEIGHT:	
CHK'D				SCALE: 1:1	
APPV'D				SHEET 3 OF 9	
MFG					
Q.A					
COPYRIGHT PROPRIETOR			THIS DRAWING IS THE PROPERTY OF CROPLANDS PTY. LTD. REPRODUCTION OF THIS DRAWING (OR PART THEREOF) OR COMMUNICATION OF ITS CONTENTS IS PROHIBITED WITHOUT THE CONSENT OR AUTHORITY OF CROPLANDS PTY. LTD.		

DO NOT SCALE DRAWING	ISSUE	A
<b>CROPLANDS</b> A NUFARM LIMITED COMPANY		
TITLE: <b>WEEDIT</b>		
BROADCAST FLUSH/SPRAY VALVE ASSEMBLY		
DWG NO.	KB-7000-1	A4

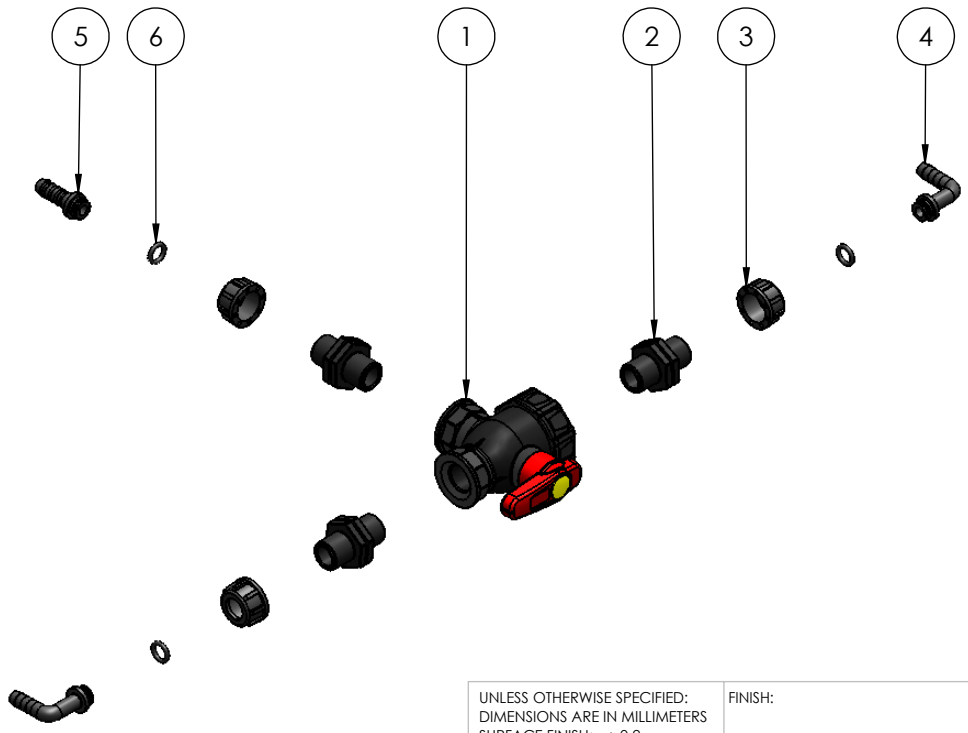
ITEM NO.	PART NUMBER	Description	QTY.
1	A106533	TAIL 1 1/4" TO 32MM	1
2	A116533	ELBOW 1 1/4" - 32MM HOSE	2
3	A200050	FLY NUT 1 1/4"	3
4	A250050	NIPPLE 1 1/4"	3
5	A454235	BALL VALVE POLY 1 1/4" 3 WAY	1
6	AG10051	O RING 1 1/4"	3



UNLESS OTHERWISE SPECIFIED: DIMENSIONS ARE IN MILLIMETERS SURFACE FINISH: ± 0.2 TOLERANCES: LINEAR: ± 0.5 ANGULAR: ± 0.5		FINISH:  N/A		DEBUR AND BREAK SHARP EDGES 	
	NAME	SIGNATURE	DATE	REVISION	
DRAWN	LJSMITH		111214		
CHK'D					
APPV'D					
MFG					
Q.A					
COPYRIGHT PROPRIETOR			MATERIAL:  N/A		
THIS DRAWING IS THE PROPERTY OF CROPLANDS PTY. LTD. REPRODUCTION OF THIS DRAWING (OR PART THEREOF) OR COMMUNICATION OF ITS CONTENTS IS PROHIBITED WITHOUT THE CONSENT OR AUTHORITY OF CROPLANDS PTY. LTD.			WEIGHT:		

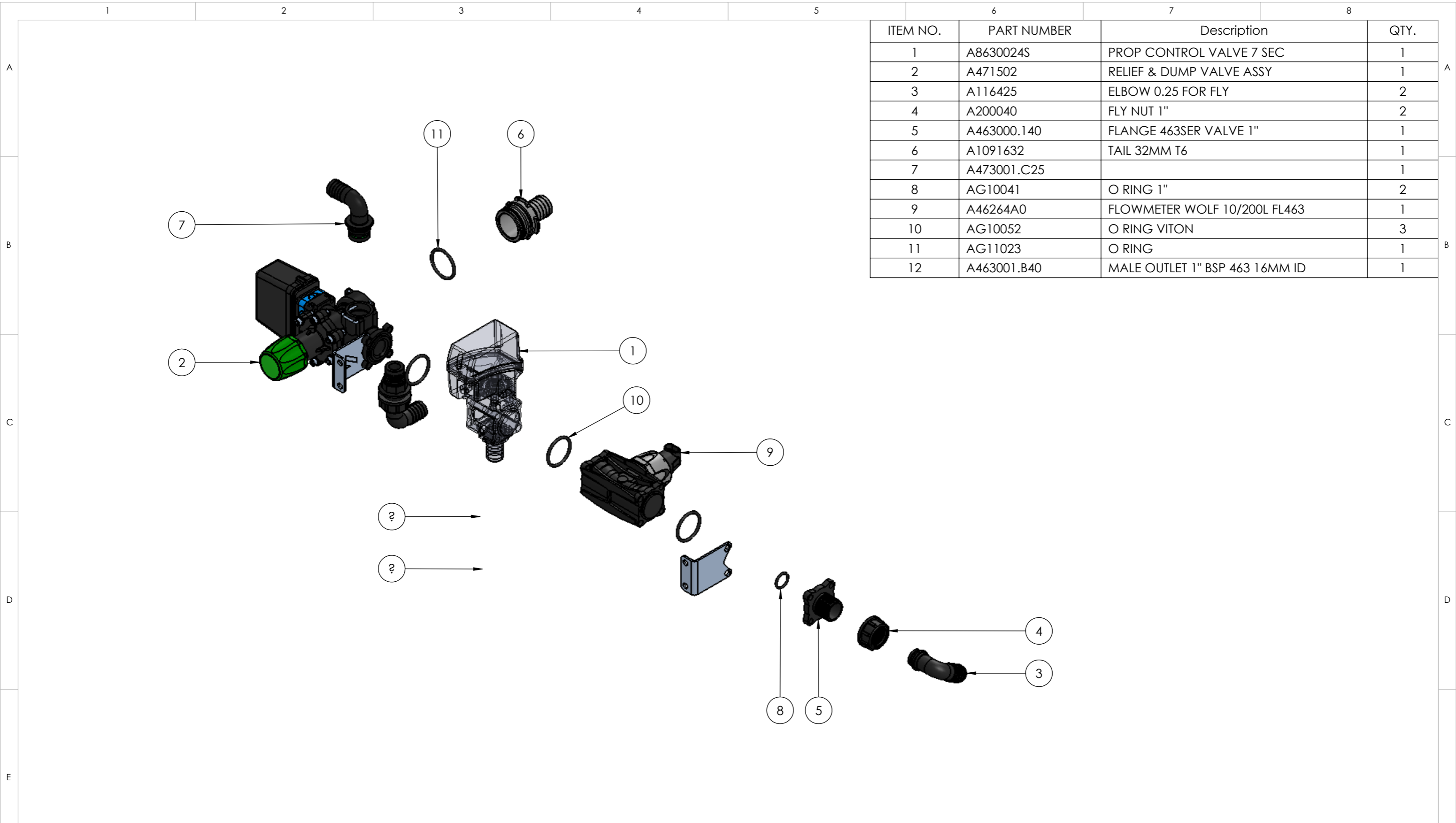
DO NOT SCALE DRAWING	ISSUE	A
<b>CROPLANDS</b> A NUFARM LIMITED COMPANY		
TITLE: <b>WEEDIT</b>		
RAMSEY VALVE RETURN ASSEMBLY DIAGRAM SERIES 3		
DWG NO.	KB-7000-1	A4
SCALE: 1:7.5	SHEET 4 OF 9	

ITEM NO.	PART NUMBER	Description	QTY.
1	A454232	BALL VALVE POLY 1/2" 3 WAY	1
2	A2502020	NIPPLE 1/2"	3
3	A200020	FLY NUT 1/2" 12.5 MMD	3
4	A116210	ELBOW 10MM FOR FLY	2
5	A106211	TAIL 1/2" TO 11MM	1
6	AG10021	O RING 1"	3




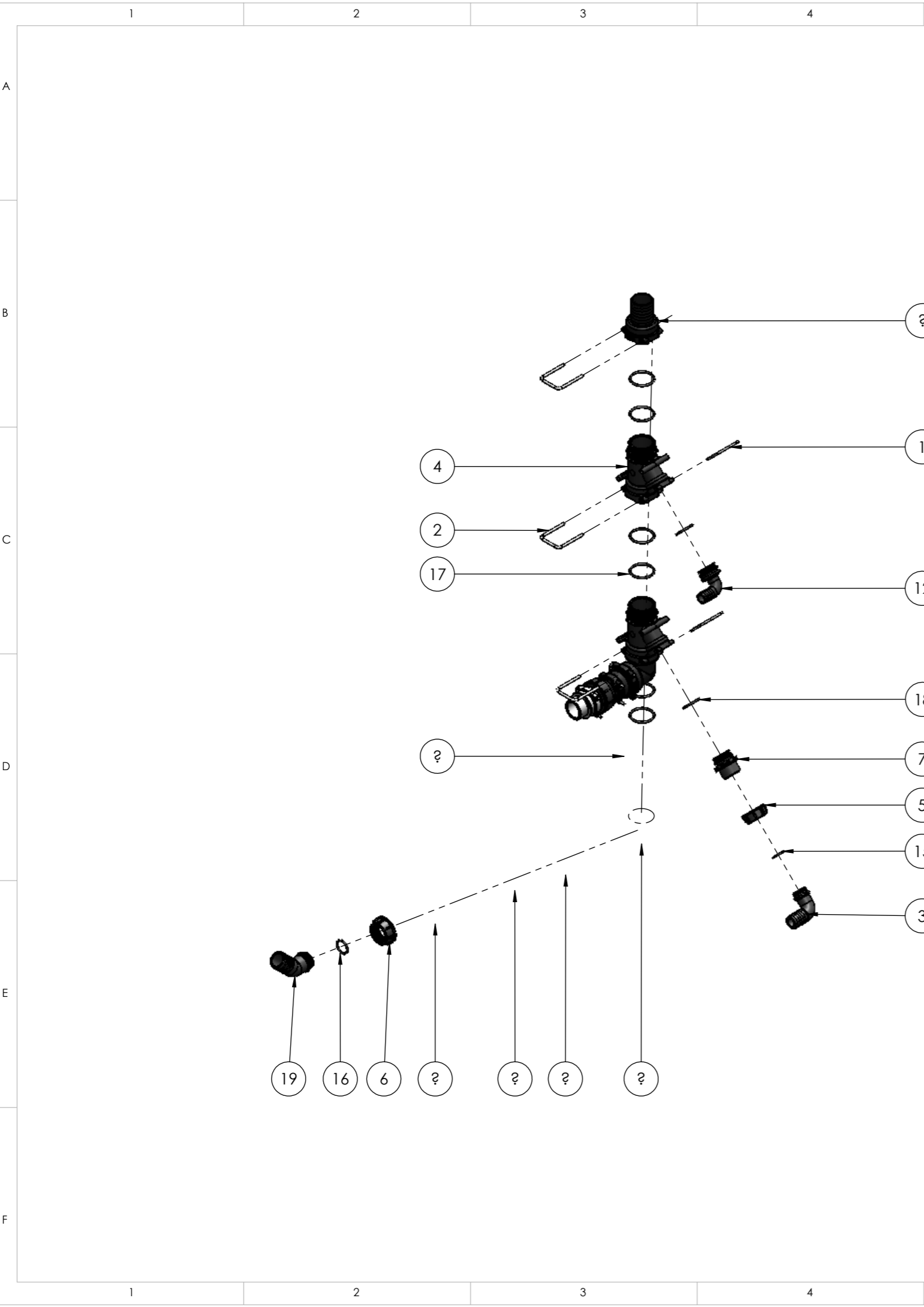
UNLESS OTHERWISE SPECIFIED: DIMENSIONS ARE IN MILLIMETERS SURFACE FINISH: ± 0.2 TOLERANCES: LINEAR: ± 0.5 ANGULAR: ± 0.5		FINISH:  N/A		DEBUR AND BREAK SHARP EDGES 	
NAME	SIGNATURE	DATE	REVISION	MATERIAL:  N/A	
DRAWN	LJSMITH	111214		WEIGHT:	
CHK'D				SCALE: 1:1	
APPV'D				SHEET 5 OF 9	
MFG					
Q.A					
COPYRIGHT PROPRIETOR			THIS DRAWING IS THE PROPERTY OF CROPLANDS PTY. LTD. REPRODUCTION OF THIS DRAWING (OR PART THEREOF) OR COMMUNICATION OF ITS CONTENTS IS PROHIBITED WITHOUT THE CONSENT OR AUTHORITY OF CROPLANDS PTY. LTD.		

DO NOT SCALE DRAWING	ISSUE	A
<b>CROPLANDS</b> A NUFARM LIMITED COMPANY		
TITLE: <b>WEEDIT</b>		
ACE PUMP VENT VALVE ASSEMBLY DIAGRAM SERIES 3		
DWG NO.	KB-7000-1	A4



ITEM NO.	PART NUMBER	Description	QTY.
1	A8630024S	PROP CONTROL VALVE 7 SEC	1
2	A471502	RELIEF & DUMP VALVE ASSY	1
3	A116425	ELBOW 0.25 FOR FLY	2
4	A200040	FLY NUT 1"	2
5	A463000.140	FLANGE 463SER VALVE 1"	1
6	A1091632	TAIL 32MM T6	1
7	A473001.C25		1
8	AG10041	O RING 1"	2
9	A46264A0	FLOWMETER WOLF 10/200L FL463	1
10	AG10052	O RING VITON	3
11	AG11023	O RING	1
12	A463001.B40	MALE OUTLET 1" BSP 463 16MM ID	1

UNLESS OTHERWISE SPECIFIED: DIMENSIONS ARE IN MILLIMETERS SURFACE FINISH: ± 0.2 TOLERANCES: LINEAR: ± 0.5 ANGULAR: ± 0.5		FINISH:  N/A	DEBUR AND BREAK SHARP EDGES 	DO NOT SCALE DRAWING	ISSUE	A																							
<table border="1"> <thead> <tr> <th>NAME</th> <th>SIGNATURE</th> <th>DATE</th> <th>REVISION</th> </tr> </thead> <tbody> <tr> <td>DRAWN</td> <td>LJSMITH</td> <td>150115</td> <td></td> </tr> <tr> <td>CHK'D</td> <td></td> <td></td> <td></td> </tr> <tr> <td>APPV'D</td> <td></td> <td></td> <td></td> </tr> <tr> <td>MFG</td> <td></td> <td></td> <td></td> </tr> <tr> <td>Q.A</td> <td></td> <td></td> <td></td> </tr> </tbody> </table>			NAME	SIGNATURE	DATE	REVISION	DRAWN	LJSMITH	150115		CHK'D				APPV'D				MFG				Q.A				<p><b>CROPLANDS</b> A NUFARM LIMITED COMPANY</p> <p>TITLE: <b>WEEDIT</b></p> <p><b>WEEDIT FLOW CONTROL VAVLE</b></p>		
NAME	SIGNATURE	DATE	REVISION																										
DRAWN	LJSMITH	150115																											
CHK'D																													
APPV'D																													
MFG																													
Q.A																													
<small>COPYRIGHT PROPRIETOR THIS DRAWING IS THE PROPERTY OF CROPLANDS PTY. LTD. AND MUST BE TREATED AS CONFIDENTIAL. REPRODUCTION OF THIS DRAWING (OR PART THEREOF) OR COMMUNICATION OF ITS CONTENTS IS PROHIBITED WITHOUT THE CONSENT OF CROPLANDS PTY. LTD.</small>			MATERIAL:  N/A		DWG NO. <b>KB-7000-1</b>  A3																								
			WEIGHT:	SCALE: 1:5	SHEET 6 OF 9																								



ITEM NO.	PART NUMBER	Description	QTY.
1	A010005	INLET FORK	2
2	A010007	FORK D.5 INTERN.59	4
3	A116533	ELBOW 1 1/4" - 32MM HOSE	1
4	A179275	MANIFOLD 3 WAY T7	2
5	A200050	FLY NUT 1 1/4"	1
6	A200060	FLY NUT 1 1/2"	1
7	A249155		1
8	A504201E		1
9	A259267		1
10	A129277		1
11	A1090750	HOSETAIL T7F D.50	1
12	A1191525	ELBOW T5M D.25	1
13	A010006	FORK 453 SERIES	2
14	A249066		1
15	AG10051	O RING 1 1/4"	1
16	AG10061	O RING 1 1/2"	1
17	AG11017	O RING	6
18	AG11063	O RING EPDM	2
19	A117640	ELBOW 1 1/2" X 1 1/2" 45 DEG	1

UNLESS OTHERWISE SPECIFIED: DIMENSIONS ARE IN MILLIMETERS SURFACE FINISH: ± 0.2 TOLERANCES: LINEAR: ± 0.5 ANGULAR: ± 0.5		FINISH:  N/A		DEBUR AND BREAK SHARP EDGES 		DO NOT SCALE DRAWING		ISSUE		A	
DRAWN		LJSMITH		SIGNATURE		DATE		101214		REVISION	
CHK'D											
APPV'D											
MFG											
Q.A										MATERIAL:  N/A	
COPYRIGHT PROPRIETOR		THIS DRAWING IS THE PROPERTY OF CROPLANDS PTY. LTD. AND MUST BE TREATED AS CONFIDENTIAL. REPRODUCTION OF THIS DRAWING (OR PART THEREOF) OR COMMUNICATION OF ITS CONTENTS IS PROHIBITED WITHOUT THE CONSENT OF CROPLANDS PTY. LTD.								WEIGHT:	
										SCALE: 1:10	
										SHEET 7 OF 9	

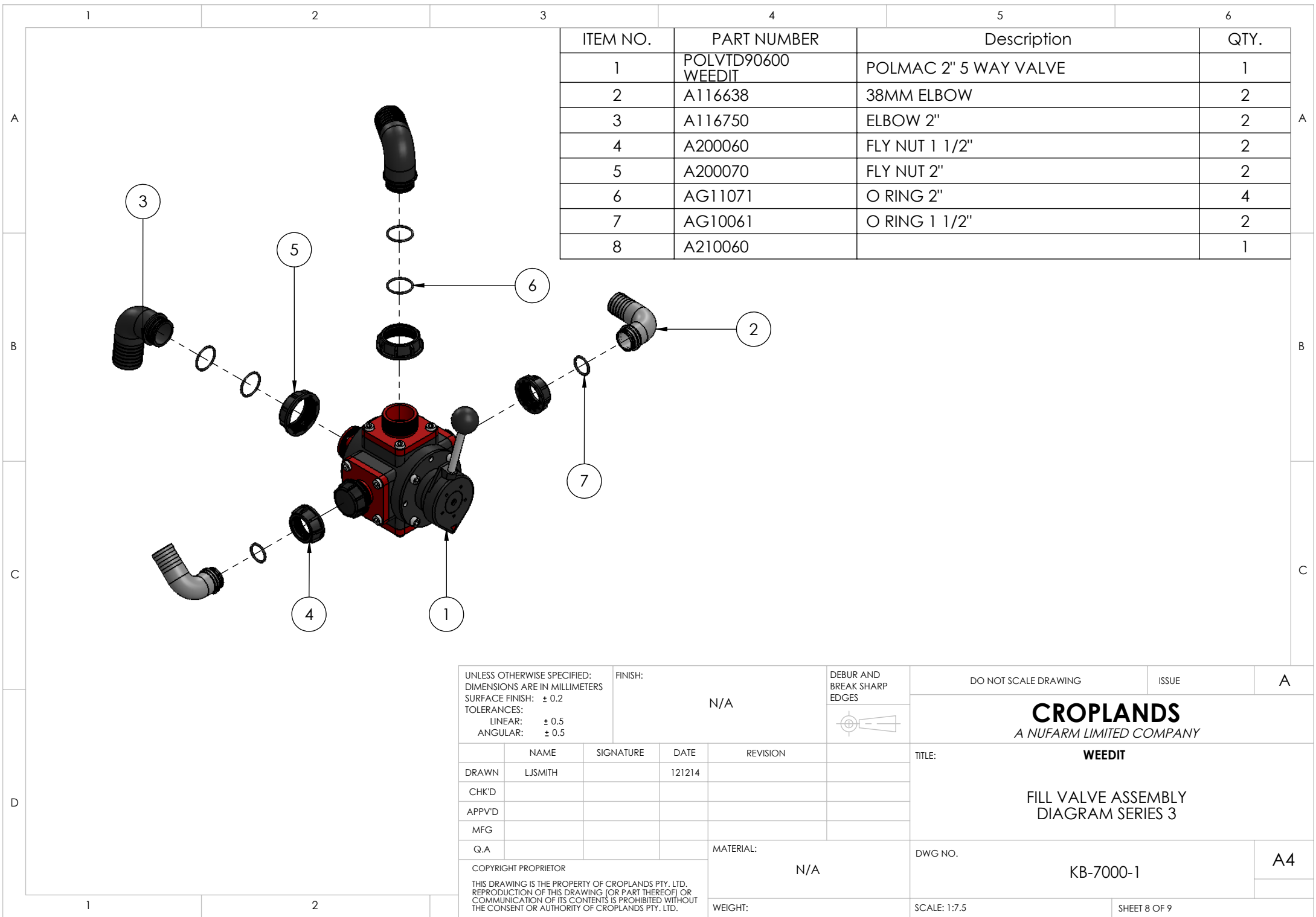
**CROPLANDS**  
A NUFARM LIMITED COMPANY

**WEEDIT**

WEEDIT RETURN MANIFOLD  
ASSMEBLY DIAGRAM SERIES 3

DWG NO. **KB-7000-1**

**A3**




ITEM NO.	PART NUMBER	Description	QTY.
1	POLVTD90600 WEEDIT	POLMAC 2" 5 WAY VALVE	1
2	A116638	38MM ELBOW	2
3	A116750	ELBOW 2"	2
4	A200060	FLY NUT 1 1/2"	2
5	A200070	FLY NUT 2"	2
6	AG11071	O RING 2"	4
7	AG10061	O RING 1 1/2"	2
8	A210060		1

UNLESS OTHERWISE SPECIFIED:  
 DIMENSIONS ARE IN MILLIMETERS  
 SURFACE FINISH:  $\pm 0.2$   
 TOLERANCES:  
 LINEAR:  $\pm 0.5$   
 ANGULAR:  $\pm 0.5$

FINISH: N/A

DEBUR AND BREAK SHARP EDGES



DO NOT SCALE DRAWING      ISSUE      A

**CROPLANDS**  
 A NUFARM LIMITED COMPANY

	NAME	SIGNATURE	DATE	REVISION
DRAWN	LJSMITH		121214	
CHK'D				
APPV'D				
MFG				
Q.A				

TITLE: **WEEDIT**

FILL VALVE ASSEMBLY  
 DIAGRAM SERIES 3

DWG NO. **KB-7000-1**      A4

COPYRIGHT PROPRIETOR

THIS DRAWING IS THE PROPERTY OF CROPLANDS PTY. LTD.  
 REPRODUCTION OF THIS DRAWING (OR PART THEREOF) OR  
 COMMUNICATION OF ITS CONTENTS IS PROHIBITED WITHOUT  
 THE CONSENT OR AUTHORITY OF CROPLANDS PTY. LTD.

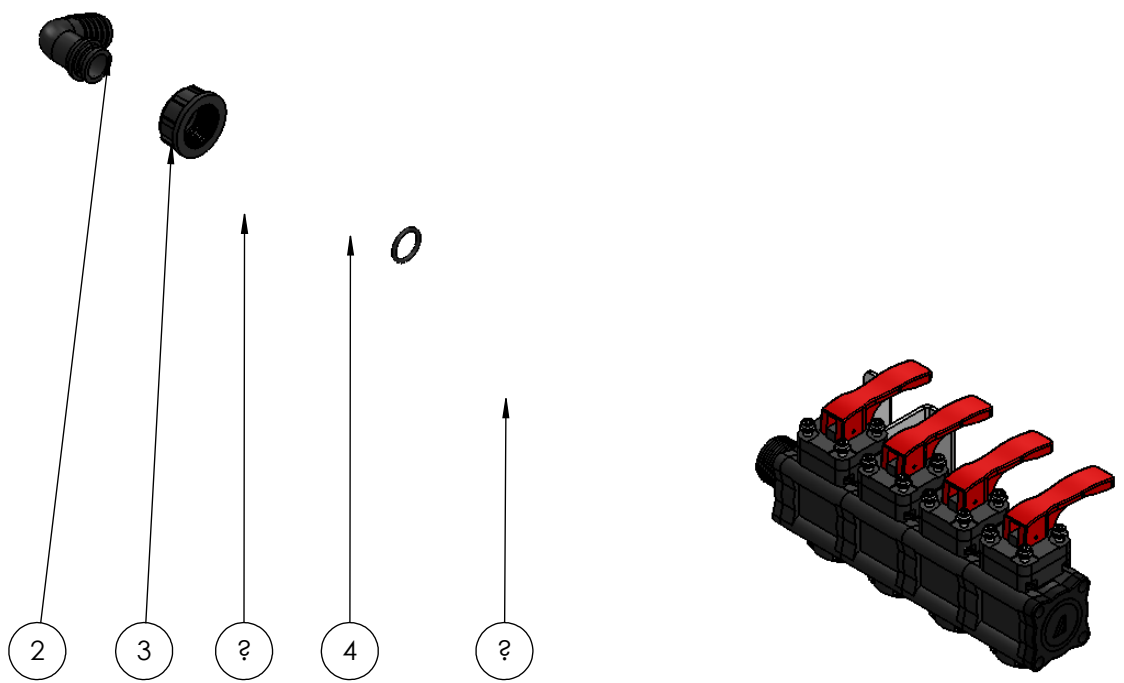
MATERIAL: N/A

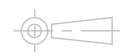
WEIGHT:

SCALE: 1:7.5      SHEET 8 OF 9



ITEM NO.	PART NUMBER	Description	QTY.
1	A463051	VALVE MANUAL 13MM TAIL	1
2	A116425	ELBOW 0.25 FOR FLY	1
3	A200040	FLY NUT 1"	1
4	AG10041	O RING 1"	1
5	A463053		1



UNLESS OTHERWISE SPECIFIED: DIMENSIONS ARE IN MILLIMETERS SURFACE FINISH: $\pm 0.2$ TOLERANCES: LINEAR: $\pm 0.5$ ANGULAR: $\pm 0.5$		FINISH:  N/A	DEBUR AND BREAK SHARP EDGES 	DO NOT SCALE DRAWING	ISSUE	A
DRAWN		LJSMITH	DATE	121214	TITLE: <b>CROPLANDS</b> A NUFARM LIMITED COMPANY <b>WEEDIT</b> AGITATOR AND RINSE VALVES ASSEMBLY DIAGRAM SERIES 3	
CHK'D						
APPV'D						
MFG						
Q.A				MATERIAL:  N/A	DWG NO.	KB-7000-1
COPYRIGHT PROPRIETOR				A4		
THIS DRAWING IS THE PROPERTY OF CROPLANDS PTY. LTD. REPRODUCTION OF THIS DRAWING (OR PART THEREOF) OR COMMUNICATION OF ITS CONTENTS IS PROHIBITED WITHOUT THE CONSENT OR AUTHORITY OF CROPLANDS PTY. LTD.				WEIGHT:	SCALE: 1:5	SHEET 9 OF 9